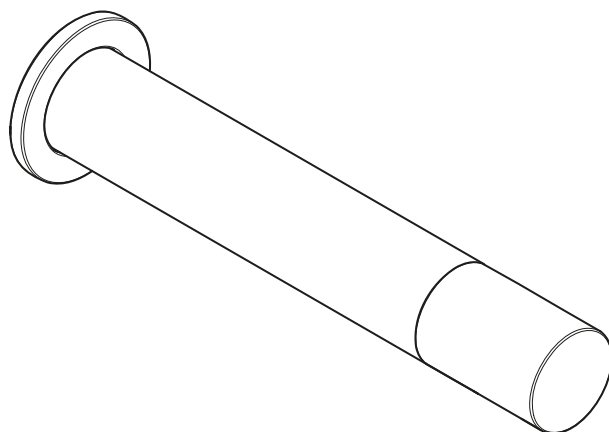


XO4100 / XO4101
WALL MOUNTED SPOUT
INSTALLATION GUIDE



LEFROY BROOKS

IMPORTANT INFORMATION

Professional installation

We recommend that our products are fitted by a fully qualified professional plumber. They should be installed correctly and in accordance with all local water regulations and the system protected by non-return valves (not supplied). All products should be accessible for routine servicing.

Suits all systems

This Lefroy Brooks product is potentially suitable for every possible application, type of boiler and water supply pressure. However, if your supply pressure is below 1 bar it is advisable to fit a water pump. For systems with combination boilers, it is not advisable to fit pumps (refer to boiler manufacturer).

Supply connections

Lefroy Brooks do not supply any pipework or connectors for this spout as it can be installed subject to individual installation designs or requirements. The spout can be connected using a standard 'T' connector.

Supply temperature safety notice

To comply with local building regulations, current legislation, relevant standards and codes of practice a thermostatic mixing valve (TMV) should be fitted (not supplied) to the hot supply. This will restrict the temperature to a safe working maximum temperature. Maximum allowed temperatures vary subject to type of installation or specification of building.

Balancing flow

If there is a significant difference in water pressures between hot & cold supplies, we recommend an in-line flow suppressor/regulator (not supplied) be fitted. This should be fitted to whichever has the greater flow rate, in an accessible position close to the valve.

Water quality

In hard water areas, a suitable water treatment system should be provided to prevent limescale deposits (calcium deposits). Exterior surfaces should be gently wiped with a dry soft cloth after use to minimise water stains and limescale deposits.

Flushing system

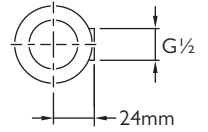
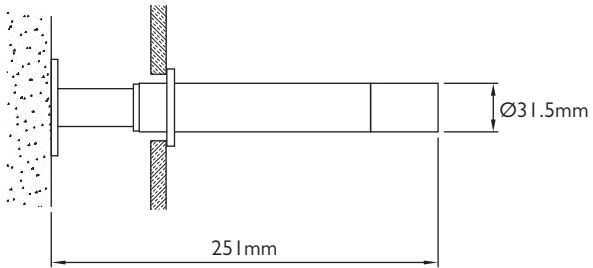
It is most important to flush out all pipework thoroughly before connecting the product.

Servicing

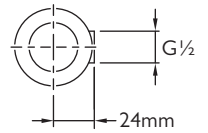
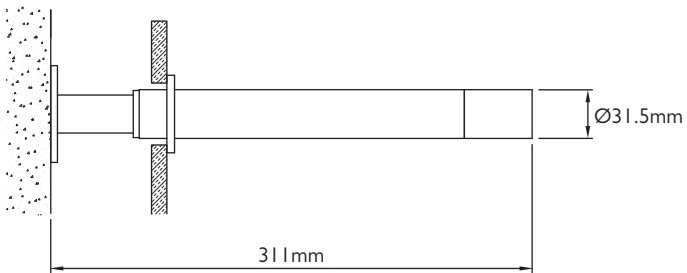
All serviceable parts are available to maintain your Lefroy Brooks product.

DIMENSIONS

XO4100

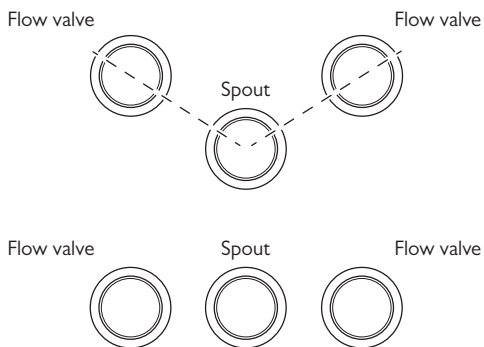


XO4101



INSTALLATION

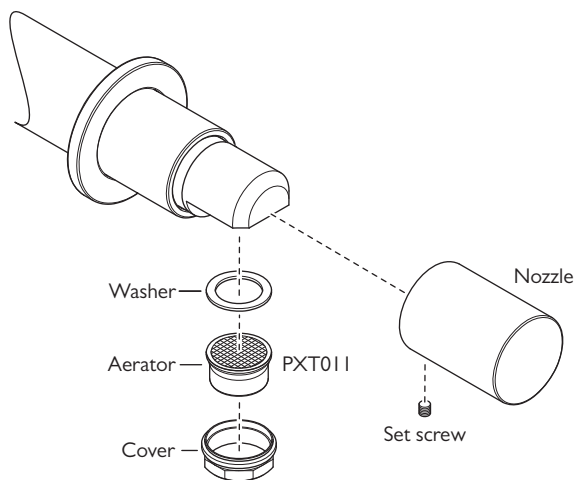
Typical layouts for spouts and flow valves.



There are no regulations specifying the positions of spouts and flow valves.
They can be installed to customer requirements.

- 1 Ensure that the spout is mounted correctly.
- 2 Use the correct water connections ($G\frac{1}{2}$ tap connections). Do not use compression fittings.

SERVICING – CLEANING OR REPLACING THE AERATOR



- 1 Using a 1.5mm hexagonal key, unscrew and remove the set screw from the underside of the nozzle.
- 2 Pull off the nozzle to reveal the aerator.
- 3 The aerator can be cleaned in warm soapy water or replaced.
- 4 Unscrew and remove the aerator cover and aerator from the spout.
- 5 Check the spout for debris and limescale. Wipe clean as required.
- 6 Fit the aerator and assemble in the reverse order.



CONTRACT ENQUIRIES

+44 (0)1992 708 316

info@lestroybrooks.co.uk

CUSTOMER SERVICE, SPARES & TECHNICAL ENQUIRIES

+44 (0)1902 390 894

technical@lestroybrooks.co.uk

LEFROYBROOKS.CO.UK

Whilst every effort is made to ensure the accuracy of these, they are subject to change without notice as part of the company's product development process. The use of trademarks, product design and artwork is subject to licence or agreement with LBIP Ltd. The design registrations, trademark registrations and copyrights are protected by law and the use or reproduction outside the terms of an agreement is prohibited. The right to modify designs and dimensions is reserved. LBIP Ltd is a member of ACID (Anti Copying in Design). E&OE