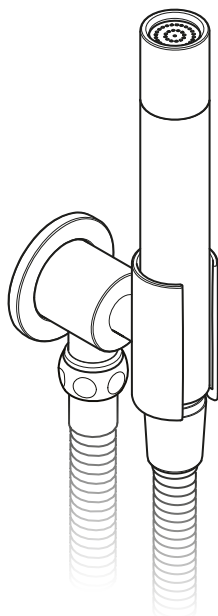


XO4001  
WALL MOUNTED HAND SHOWER  
INSTALLATION GUIDE

---



---

LEFROY BROOKS



## IMPORTANT INFORMATION

### **Professional installation**

We recommend that our products are fitted by a fully qualified professional plumber. They should be installed correctly and in accordance with all local water regulations and the system protected by non-return valves (not supplied). All products should be accessible for routine servicing.

### **Suits all systems**

This Lefroy Brooks product is potentially suitable for every possible application, type of boiler and water supply pressure. However, if your supply pressure is below 1 bar it is advisable to fit a water pump. For systems with combination boilers, it is not advisable to fit pumps (refer to boiler manufacturer).

### **Water quality**

In hard water areas, a suitable water treatment system should be provided to prevent limescale deposits (calcium deposits). Exterior surfaces should be gently wiped with a dry soft cloth after use to minimise water stains and limescale deposits.

### **Flushing system**

It is most important to flush out all pipework thoroughly before connecting the product.

### **Supply temperature safety notice**

To comply with local building regulations, current legislation, relevant standards and codes of practice a thermostatic mixing valve (TMV) should be fitted (not supplied) to the hot supply. This will restrict the temperature to a safe working maximum temperature. Maximum allowed temperatures vary subject to type of installation or specification of building.

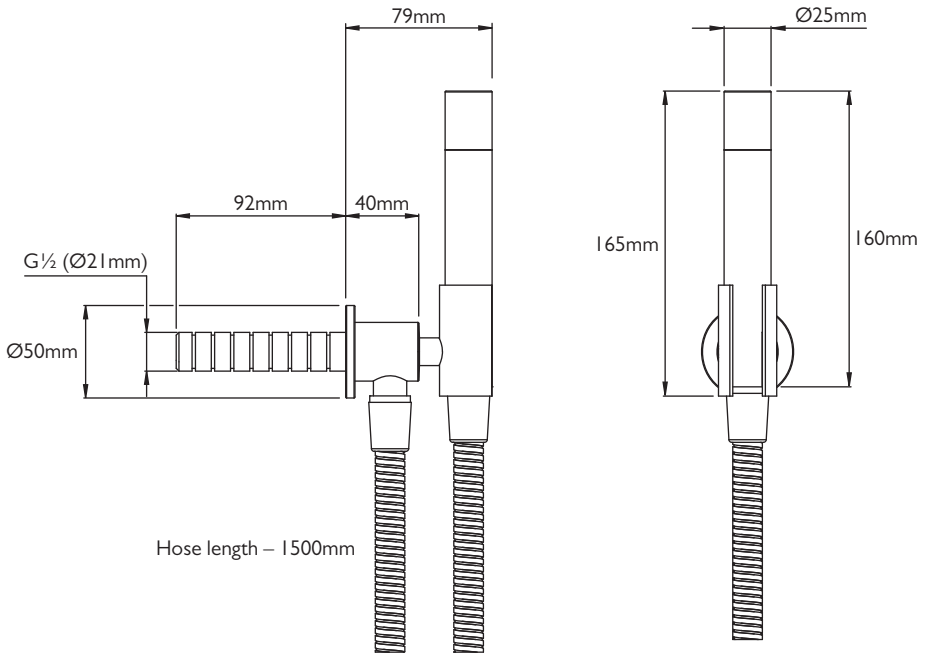
### **Balancing flow**

If there is a significant difference in water pressures between hot & cold supplies, we recommend an in-line flow suppressor/regulator (not supplied) be fitted.

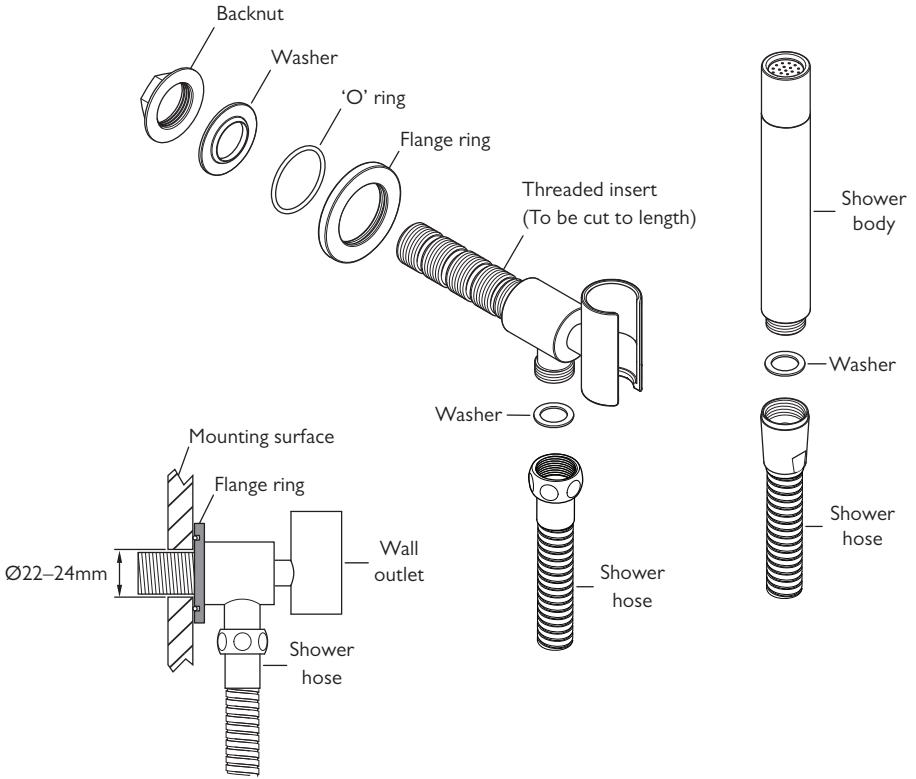
### **Servicing**

All serviceable parts are available to maintain your Lefroy Brooks product.

# DIMENSIONS

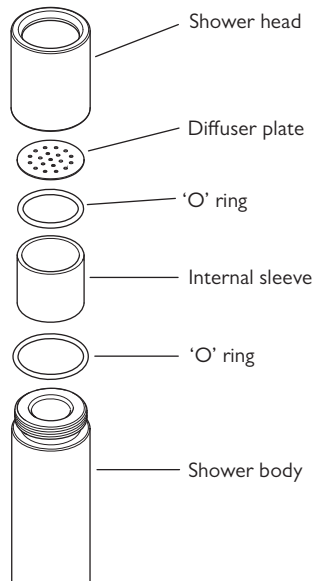


## INSTALLATION



- 1 Cut the threaded insert to the required length. We recommend cutting at the non-threaded points for ease.
- 2 Locate the flange ring (with 'O' ring) onto the wall outlet body. Ensure that the 'O' ring faces in the direction of the mounting surface.
- 3 Locate the wall outlet into the pre-cut  $\text{Ø}22 - 24\text{mm}$  hole in the mounting surface. Secure in place using the washer and backnut. The raised area in the centre of the washer should be against the hole in the mounting surface. Tighten the backnut. Do not over tighten as this may damage the backnut.
- 4 Connect the wall outlet to the water supply.
- 5 Slide the flange ring along the outlet body and push firmly against the mounting surface.
- 6 Connect the conical end of the hose to the wall outlet and the other end to the shower outlet.
- 7 Locate the hand shower into the wall outlet.

## SERVICING – CLEANING THE DIFFUSER PLATE



The diffuser plate should never require removal, but should the holes in the diffuser plate become blocked please see below:

- 1 Unscrew and remove the shower head from the end of the hand shower. Wearing rubber gloves will improve grip.
- 2 Remove the diffuser plate by applying gently pressure to the top. The diffuser plate, 'O' ring and internal sleeve will slide out of the shower head.
- 3 Check the diffuser plate for debris and limescale. Wipe clean as required.
- 4 Assemble in the reverse order.





CONTRACT ENQUIRIES

+44 (0)1992 708 316

[info@lestroybrooks.co.uk](mailto:info@lestroybrooks.co.uk)

CUSTOMER SERVICE, SPARES & TECHNICAL ENQUIRIES

+44 (0)1902 390 894

[technical@lestroybrooks.co.uk](mailto:technical@lestroybrooks.co.uk)

LEFROYBROOKS.CO.UK

---

Whilst every effort is made to ensure the accuracy of these, they are subject to change without notice as part of the company's product development process. The use of trademarks, product design and artwork is subject to licence or agreement with LBIP Ltd. The design registrations, trademark registrations and copyrights are protected by law and the use or reproduction outside the terms of an agreement is prohibited. The right to modify designs and dimensions is reserved. LBIP Ltd is a member of ACID (Anti Copying in Design). E&OE