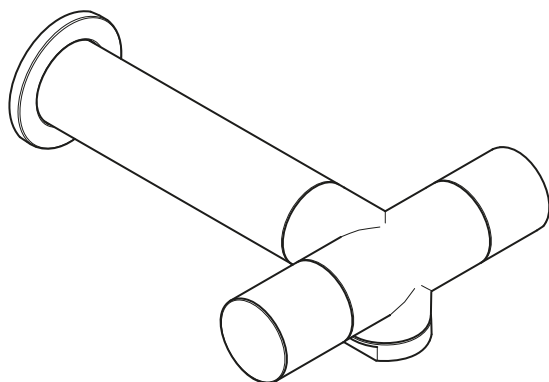


XO3015 / XO3020 / XO3102  
MONO WALL MOUNTED TAP  
INSTALLATION GUIDE

---



---

LEFROY BROOKS



## IMPORTANT INFORMATION

### Professional installation

We recommend that our products are fitted by a fully qualified professional plumber. They should be installed correctly and in accordance with all local water regulations and the system protected by non-return valves (not supplied). All products should be accessible for routine servicing.

### Suits all systems

This Lefroy Brooks product is potentially suitable for every possible application, type of boiler and water supply pressure. However, if your supply pressure is below 1 bar it is advisable to fit a water pump. For systems with combination boilers, it is not advisable to fit pumps (refer to boiler manufacturer).

### Supply connections

Hot water supply must be connected to the lower port, cold water to the upper port as viewed from front (see front view).

### Supply temperature safety notice

To comply with local building regulations, current legislation, relevant standards and codes of practice a thermostatic mixing valve (TMV) should be fitted (not supplied) to the hot supply. This will restrict the temperature to a safe working maximum temperature. Maximum allowed temperatures vary subject to type of installation or specification of building.

### Balancing flow

If there is a significant difference in water pressures between hot & cold supplies, we recommend an in-line flow suppressor/regulator (not supplied) be fitted. This should be fitted to whichever has the greater flow rate, in an accessible position close to the valve.

### Water quality

In hard water areas, a suitable water treatment system should be provided to prevent limescale deposits (calcium deposits) which may effect the long term performance of the ceramic cartridges. Exterior surfaces should be gently wiped with a dry soft cloth after use to minimise water stains and limescale deposits.

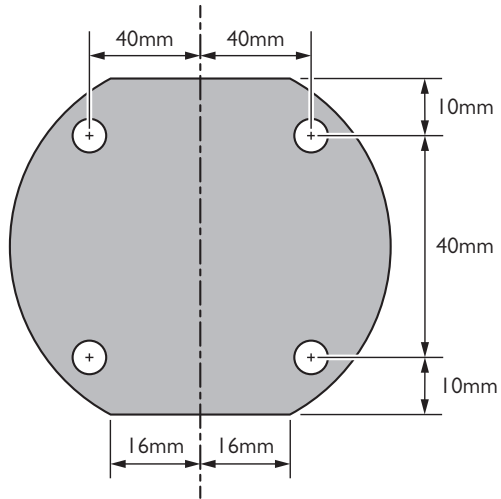
### Flushing system

It is most important to flush out all pipework thoroughly before connecting the product. This is the single most common cause of ceramic cartridge failure.

### Servicing

All serviceable parts are available to maintain your Lefroy Brooks product.

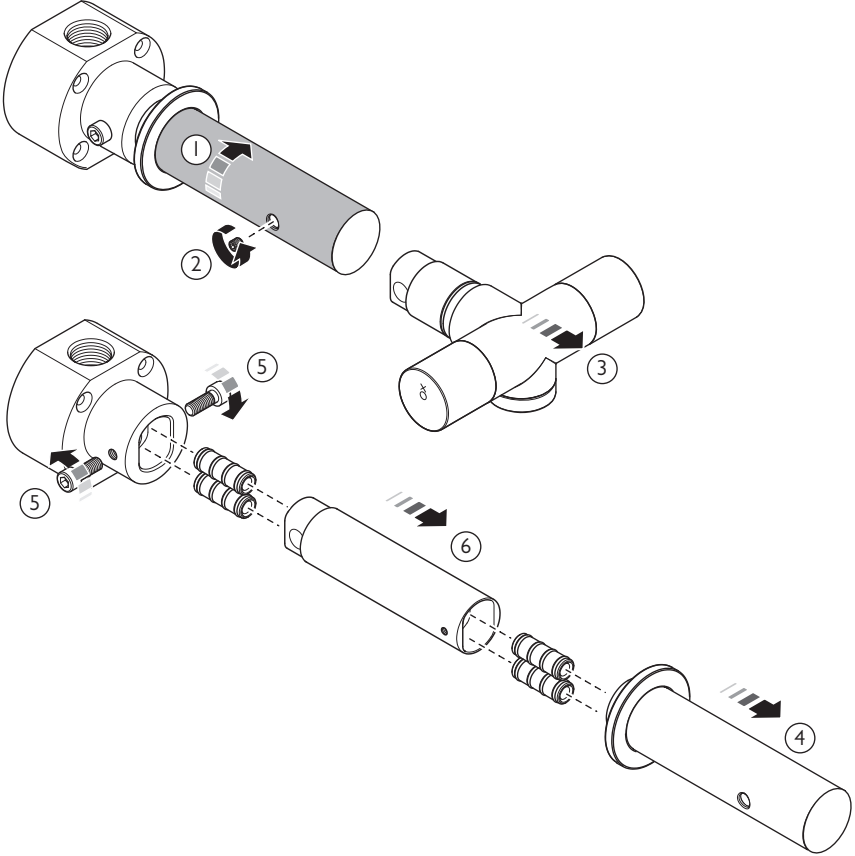
## INSTALLATION



### Please note:

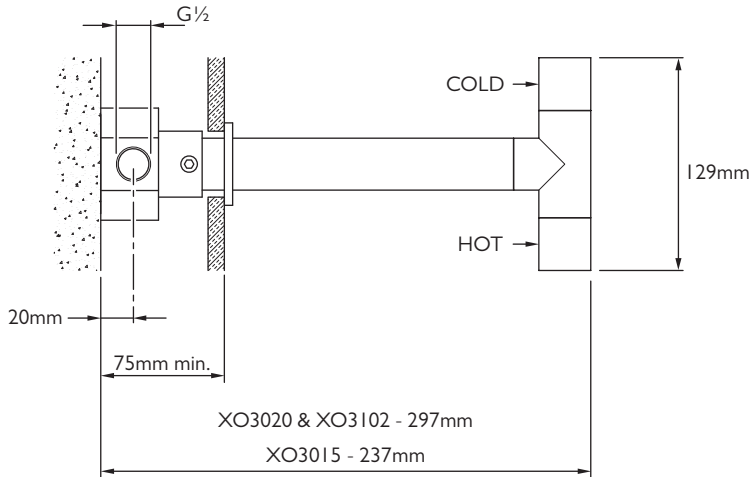
The projection arm is covered by a loose fitting sleeve. For this reason we recommend that removal of the wall mounting base and valve head be performed over a worktop and not in free air. We also recommend that when gripping the valve it is the base and valve head that are held and not the projection arm.

- 1 There is an access hole in the loose fitting projection arm sleeve. Rotate the sleeve to align the hole with the set screw that secures the valve head to the projection arm.
- 2 Using a 2.5mm hexagonal key unscrew and remove the set screw.
- 3 Gently pull the valve head clear of the projection arm.
- 4 With a twisting action, gently pull the loose sleeve from the projection arm. The flange ring and 'O' ring can remain in place.
- 5 Using a 5mm hexagonal key, unscrew and remove the two screws from the sides of the wall mounting base.
- 6 Remove the wall mounting base by pulling the projection arm in a straight line.
- 7 Locate the wall mounting base onto its fixing surface. Ensure that it is level, then mark around the outside using a sharp pencil. Mark the hole locations as shown in the diagram.
- 8 Secure the wall mounting base to the fixing surface using appropriate fixings.
- 9 Slide the projection arm into the wall mounting base then secure in place with the two screws removed previously.
- 10 We recommend a clearance hole of  $\text{Ø}35\text{--}38\text{mm}$  is left in the finished wall to allow the sleeve and flange ring to be fitted over the projection arm.
- 11 Fit the sleeve and valve head in the reverse order.
- 12 Following installation check for leaks and cartridge operation.

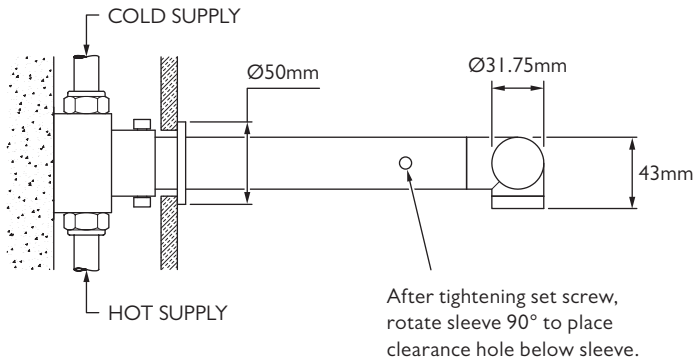


# DIMENSIONS

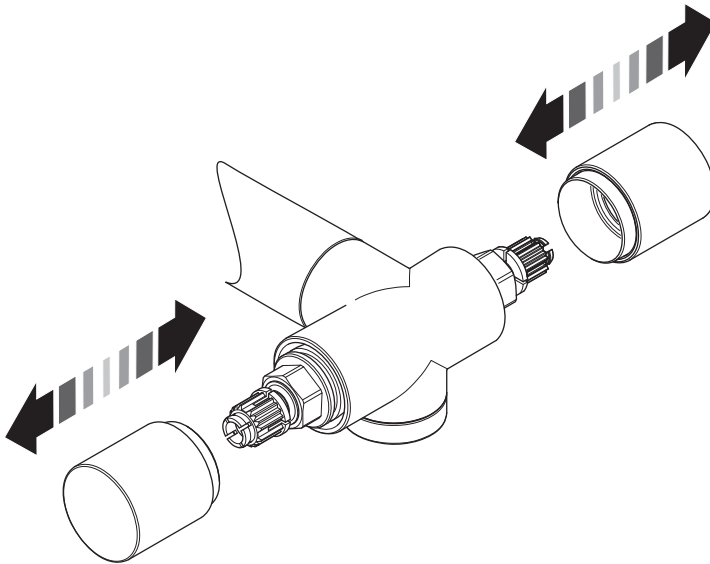
## Plan view



## Side view



## SERVICING – HANDLE REMOVAL & REPLACEMENT



Pair of replacement plastic spline adapters – PXT006

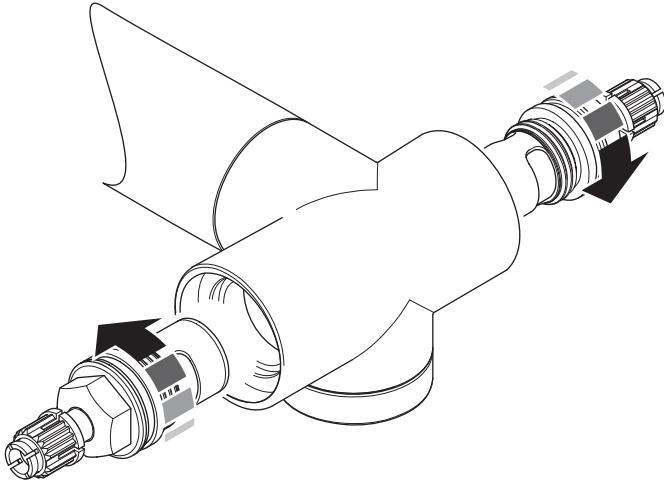
### Handle removal

- 1 Grasp the handle and pull firmly in a straight line clear of the body.

### Handle fitting

- 1 Locate the handle onto the spline a little, then rotate the handle to check alignment. Adjust as required.
- 2 Support the body and push the handle firmly until it 'clicks' securely into position.

## SERVICING – TO REPLACE CERAMIC CARTRIDGES

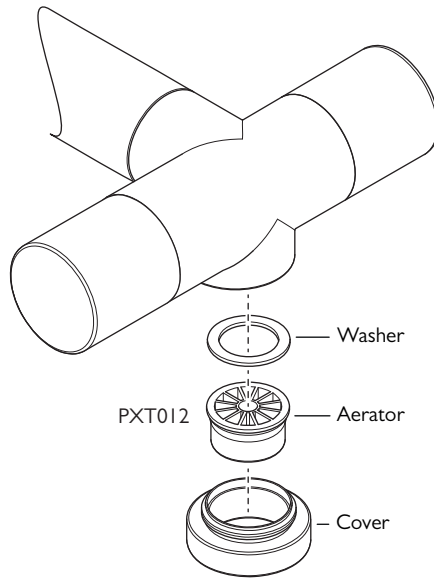


Pair of replacement ceramic cartridges – PXT005

- 1 Isolate the hot and cold water supplies and drain the system as required.
- 2 Remove the appropriate handle(s) as in the previous section.
- 3 Using a 17mm a/f spanner or socket unscrew the cartridge and remove.
- 4 Check inside the valve body for any debris or limescale. Wipe clean as required.
- 5 Screw a new ceramic cartridge into the valve body and tighten using a 17mm spanner or socket.
- 6 Open the hot and cold supplies.
- 7 Check for leaks.
- 8 Replace the handle(s) as in previous section.
- 9 Check operation of the cartridge(s).



## SERVICING – CLEANING OR REPLACING THE AERATOR



- 1 Unscrew the cover to reveal the aerator.
- 2 Remove the aerator from the spout.
- 3 The aerator can be cleaned in warm soapy water or replaced.
- 4 Check the spout for debris and limescale. Wipe clean as required.
- 5 Fit the aerator and assemble in the reverse order.







CONTRACT ENQUIRIES

+44 (0)1992 708 316

[info@lefroybrooks.co.uk](mailto:info@lefroybrooks.co.uk)

CUSTOMER SERVICE, SPARES & TECHNICAL ENQUIRIES

+44 (0)1902 390 894

[technical@lefroybrooks.co.uk](mailto:technical@lefroybrooks.co.uk)

LEFROYBROOKS.CO.UK

---

Whilst every effort is made to ensure the accuracy of these, they are subject to change without notice as part of the company's product development process. The use of trademarks, product design and artwork is subject to licence or agreement with LBIP Ltd. The design registrations, trademark registrations and copyrights are protected by law and the use or reproduction outside the terms of an agreement is prohibited. The right to modify designs and dimensions is reserved. LBIP Ltd is a member of ACID (Anti Copying in Design). E&OE