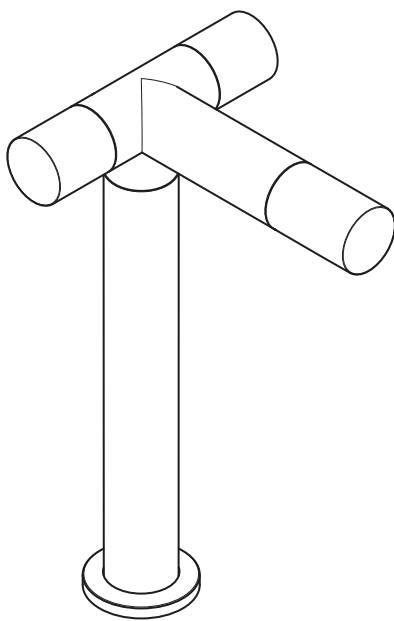


XO3000 / XO3002 / XO3005 / XO3025 / XO3100
DECK MOUNTED TAPS
INSTALLATION GUIDE



L E F R O Y B R O O K S

IMPORTANT INFORMATION

Professional installation

We recommend that our products are fitted by a fully qualified professional plumber. They should be installed correctly and in accordance with all local water regulations and the system protected by non-return valves (not supplied). All products should be accessible for routine servicing.

Suits all systems

This Lefroy Brooks product is potentially suitable for every possible application, type of boiler and water supply pressure. However, if your supply pressure is below 1 bar it is advisable to fit a water pump. For systems with combination boilers, it is not advisable to fit pumps (refer to boiler manufacturer).

Supply connections

The hot water supply should be connected to the left port and the cold water supply to the right port as viewed from the front.

Supply temperature safety notice

To comply with local building regulations, current legislation, relevant standards and codes of practice a thermostatic mixing valve (TMV) should be fitted (not supplied) to the hot supply. This will restrict the temperature to a safe working maximum temperature. Maximum allowed temperatures vary subject to type of installation or specification of building.

Balancing flow

If there is a significant difference in water pressures between hot & cold supplies, we recommend an in-line flow suppressor/regulator (not supplied) be fitted. This should be fitted to whichever has the greater flow rate, in an accessible position close to the valve.

Water quality

In hard water areas, a suitable water treatment system should be provided to prevent limescale deposits (calcium deposits) which may effect the long term performance of the ceramic cartridges. Exterior surfaces should be gently wiped with a dry soft cloth after use to minimise water stains and limescale deposits.

Flushing system

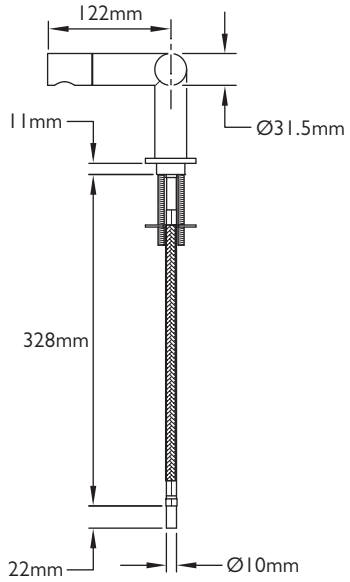
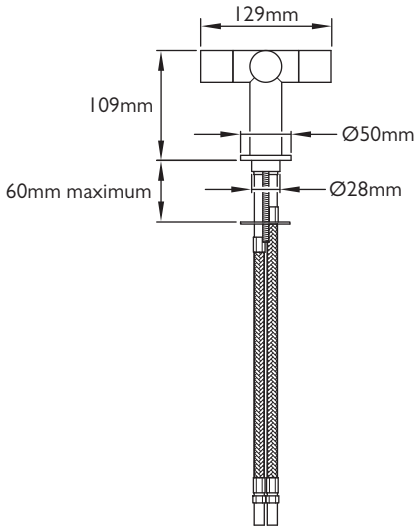
It is most important to flush out all pipework thoroughly before connecting the product. This is the single most common cause of ceramic cartridge failure.

Servicing

All serviceable parts are available to maintain your Lefroy Brooks product.

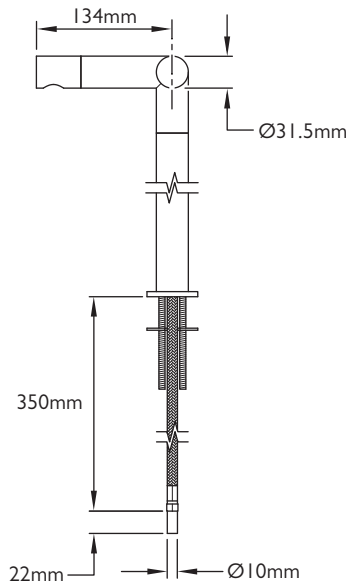
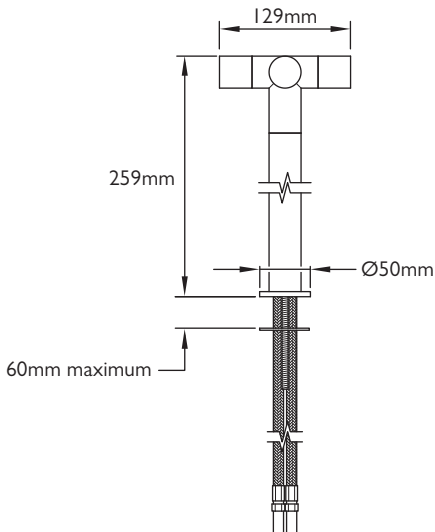
DIMENSIONS

XO3000 (Without levers) & XO3002 (With levers)



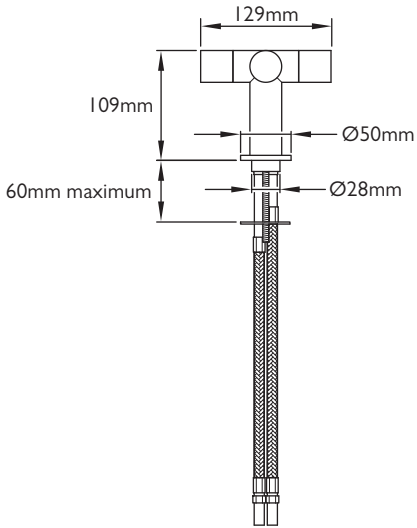
Not to scale

XO3005

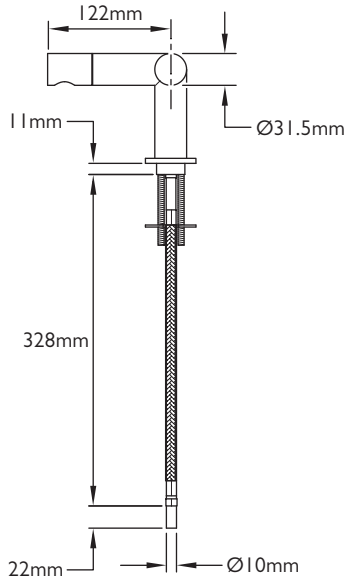


Not to scale

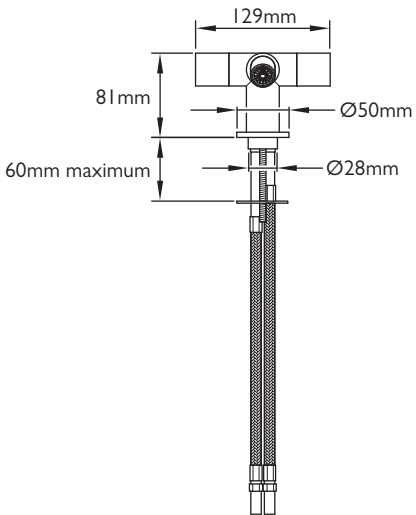
XO3100



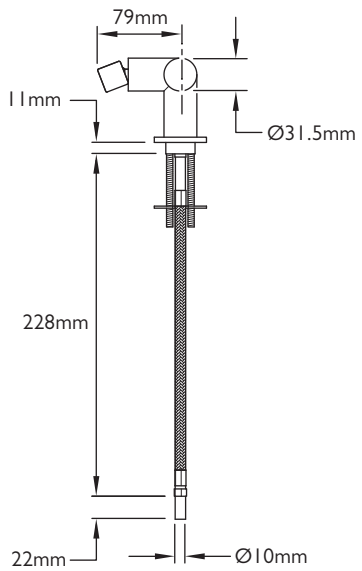
Not to scale



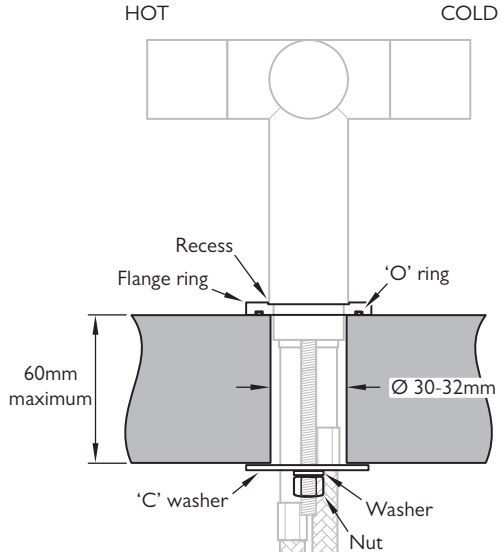
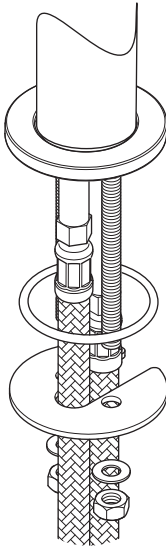
XO3025



Not to scale

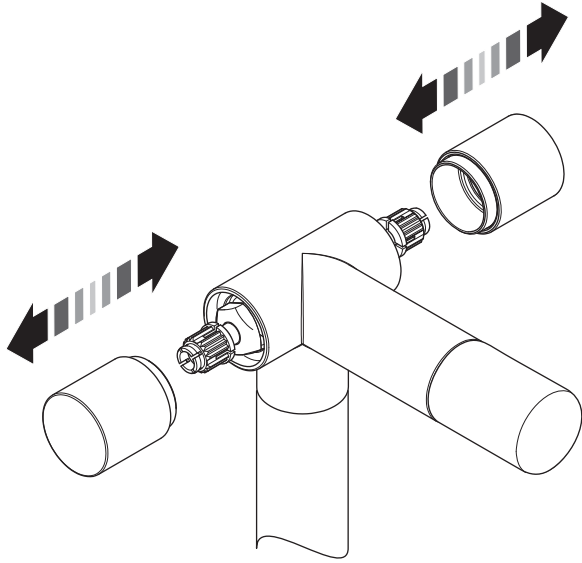


INSTALLATION



- 1 Unscrew and remove the nuts, washers, 'C' washer and flange ring (with 'O' ring) from the underside of the valve.
- 2 Ensure that the 'O' ring is located into the recess in the underside of the flange ring. Place the flange ring over the pre-cut $\text{Ø}30\text{--}32\text{mm}$ hole in your work surface or pre-cast sanitary ware. The 'O' ring should be in contact with the work surface or sanitary ware.
- 3 Pass the flexible hoses and threaded studs through the hole in the work surface or pre-cast sanitary ware (maximum thickness 60mm).
- 4 Sit the valve into the recess in the flange ring. Place the spout in the correct position.
- 5 From the underside of the work surface or sanitary ware locate the c-washer onto the threaded studs and secure with the washers and nuts.
- 6 Ensure that the spout is in the correct position. Using a 6mm spanner or socket tighten the nuts sufficiently to secure the valve.
- 7 The flexible hoses can now be connected to the appropriate supplies using compression fittings.
- 8 Do not use soldered fittings as the heat may damage the flexible hoses.

SERVICING – HANDLE REMOVAL & REPLACEMENT



Pair of replacement plastic spline adapters - PXT006

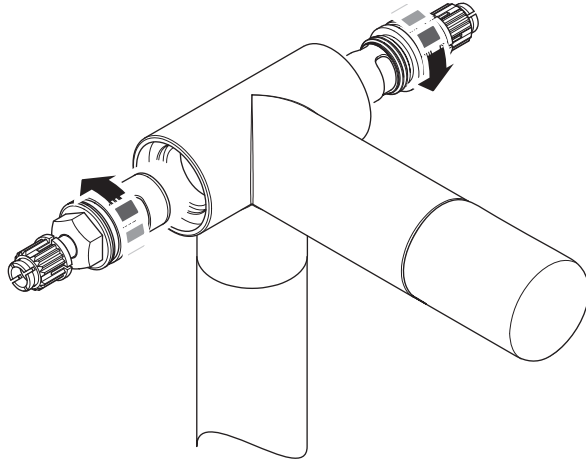
Handle removal

- 1 Grasp the handle and pull firmly in a straight line clear of the monobloc body.
Note: XO3002 models are fitted with levers.
Do not pull on the levers as this can cause damage. Hold the body of the handle only.

Handle fitting

- 1 Locate the handle onto the spline a little, then rotate the handle to check alignment. Adjust as required.
- 2 Support the valve body and push the handle firmly until it 'clicks' securely into position.

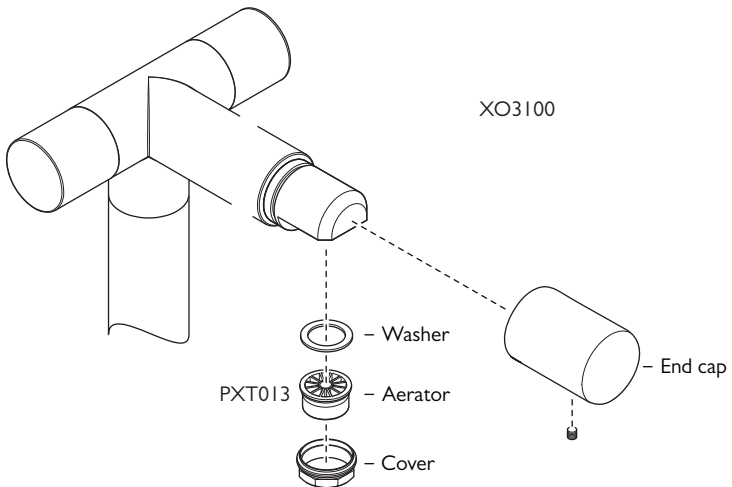
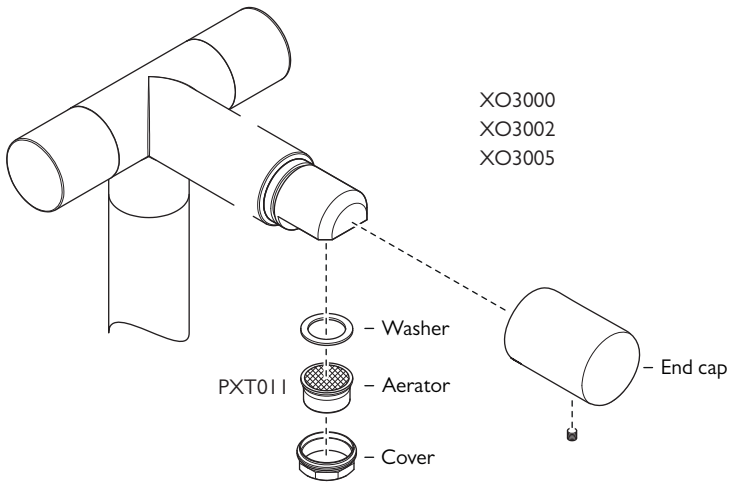
SERVICING – TO REPLACE CERAMIC CARTRIDGES



Pair of replacement ceramic cartridges - PXT005

- 1 Isolate the hot and cold water supplies and drain the system as required.
- 2 Remove the appropriate handle(s) as in the previous section.
- 3 Using a 17mm a/f spanner or socket unscrew the cartridge and remove.
- 4 Check inside the valve body for any debris or limescale. Wipe clean as required.
- 5 Screw a new ceramic cartridge into the valve body and tighten using a 17mm spanner or socket.
- 6 Open the hot and cold supplies.
- 7 Check for leaks.
- 8 Replace the handle(s) as in previous section.
- 9 Check operation of the cartridge(s).

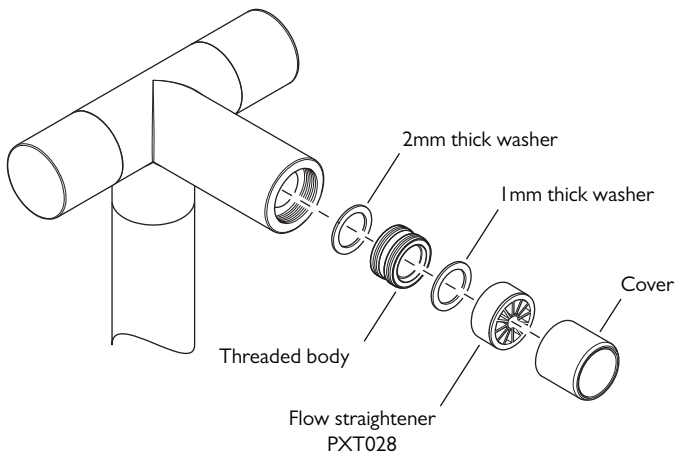
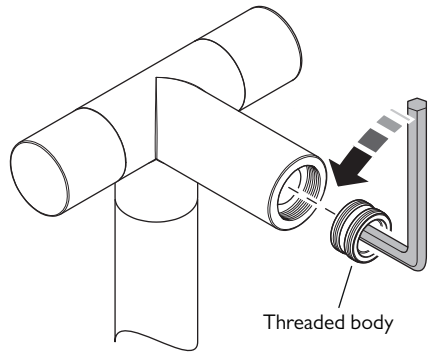
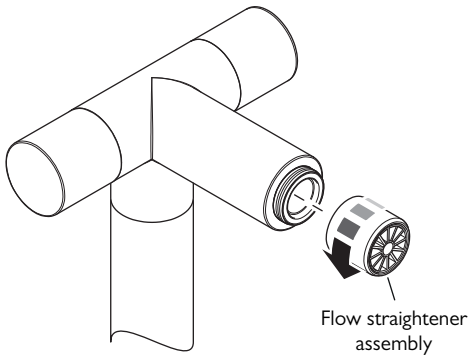
SERVICING – CLEANING OR REPLACING THE AERATOR



- 1 Using a 1.5mm hexagonal key, unscrew and remove the set screw from the underside of the end cap.
- 2 Pull off the nozzle to reveal the aerator.
- 3 Using a 22mm a/f spanner, unscrew and remove the aerator cover and aerator from the spout.

- 4 The aerator can be cleaned in warm soapy water or replaced.
- 5 Check the spout for debris and limescale. Wipe clean as required.
- 6 Fit the aerator and assemble in the reverse order.

SERVICING – FLOW STRAIGHTENER CLEANING OR REPLACEMENT FOR XO3025 MODEL ONLY



- 1 Unscrew and remove the flow straightener assembly.
- 2 Unscrew and remove the threaded body from the valve body using suitable hexagonal key.
- 3 Check the spout for debris and limescale. Wipe clean as required.
- 4 The flow straightener can be cleaned in warm soapy water or replaced.
- 5 Fit the flow straightener in reverse order.



CONTRACT ENQUIRIES

+44 (0)1992 708 316

info@lefroybrooks.co.uk

CUSTOMER SERVICE, SPARES & TECHNICAL ENQUIRIES

+44 (0)1902 390 894

technical@lefroybrooks.co.uk

LEFROYBROOKS.CO.UK

Whilst every effort is made to ensure the accuracy of these, they are subject to change without notice as part of the company's product development process. The use of trademarks, product design and artwork is subject to licence or agreement with LBIP Ltd. The design registrations, trademark registrations and copyrights are protected by law and the use or reproduction outside the terms of an agreement is prohibited. The right to modify designs and dimensions is reserved. LBIP Ltd is a member of ACID (Anti Copying in Design). E&OE