



**LEFROY BROOKS**

IBROC HOUSE ESSEX ROAD  
HODDESDON HERTS EN11 0QS UK  
T: +44 (0)1992 708 316 F: +44 (0)1992 708 317

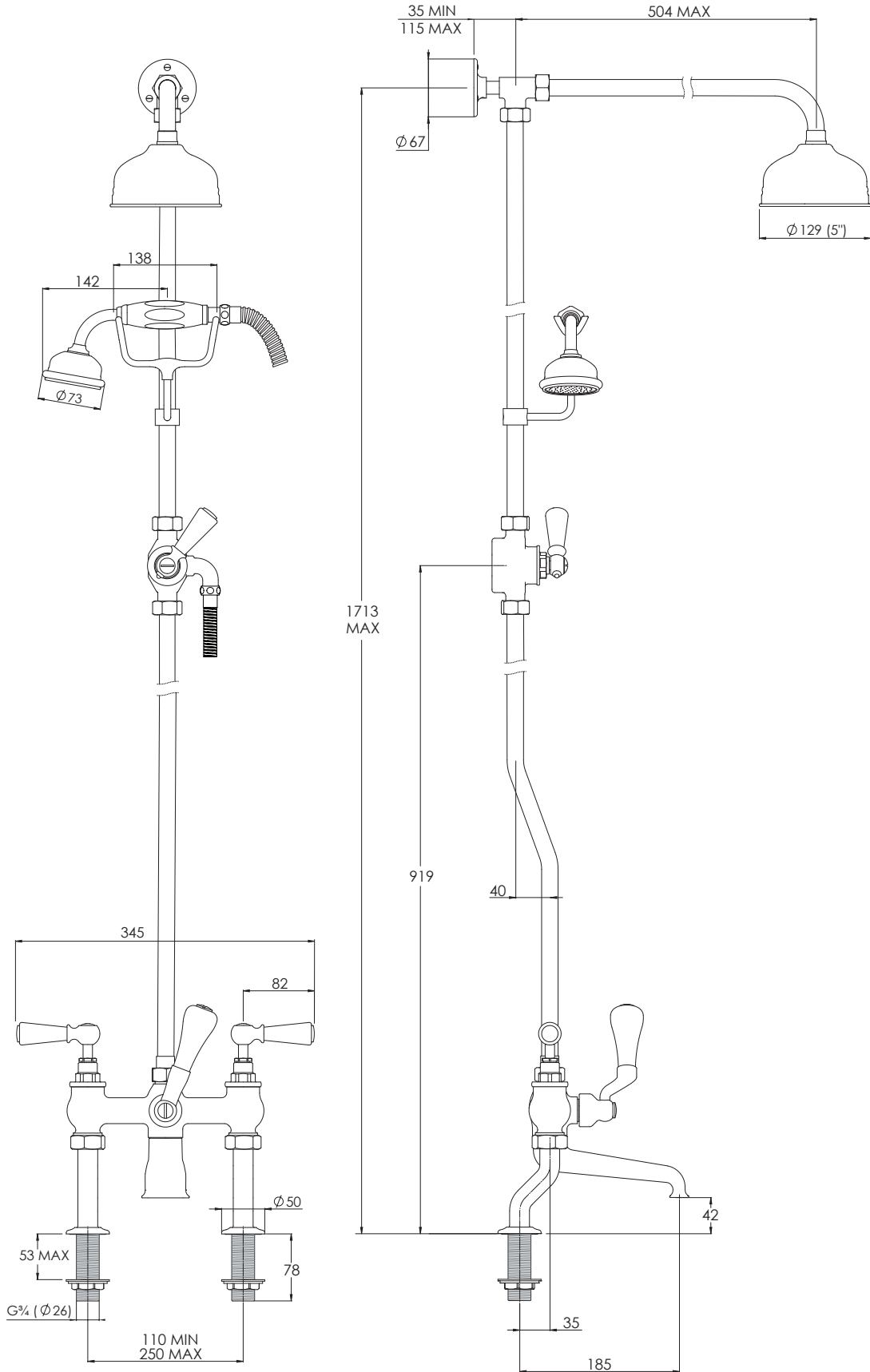
# WL1700

CLASSIC DECK MOUNTED BATH SHOWER MIXER  
WITH WHITE LEVERS, RISER KIT, LEVER DIVERTER,  
HANDSHOWER AND 5" ROSE

## DIMENSIONAL DATA SHEET

DATE: 11/04/2019

REVISION: A



COPYRIGHT © LBIP LTD. ALL RIGHTS RESERVED

DIMENSIONS IN MILLIMETRES

WHILST EVERY EFFORT IS MADE TO ENSURE THE ACCURACY OF THESE DATA SHEETS THEY ARE SUBJECT TO CHANGE WITHOUT NOTICE AS PART OF THE COMPANY'S PRODUCT DEVELOPMENT PROCESS