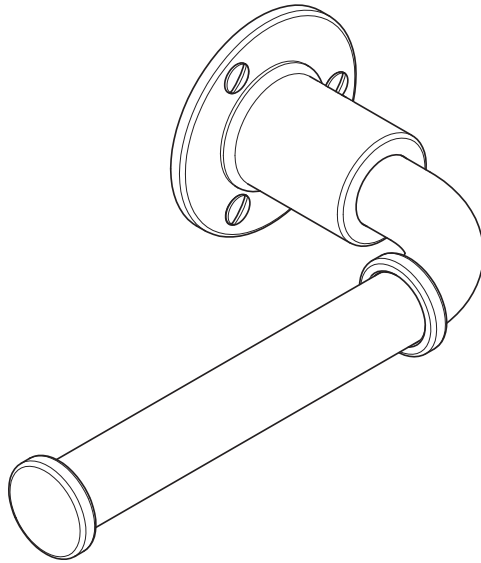


TT 4973  
TEN TEN PAPER HOLDER  
INSTALLATION GUIDE

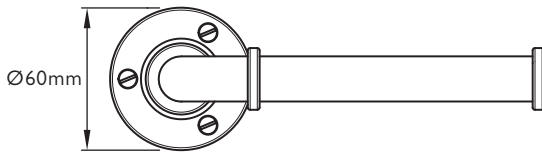
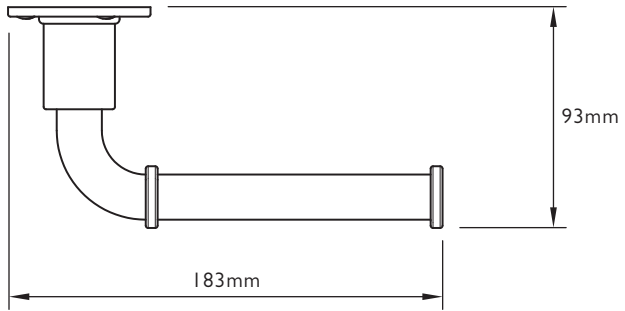
---



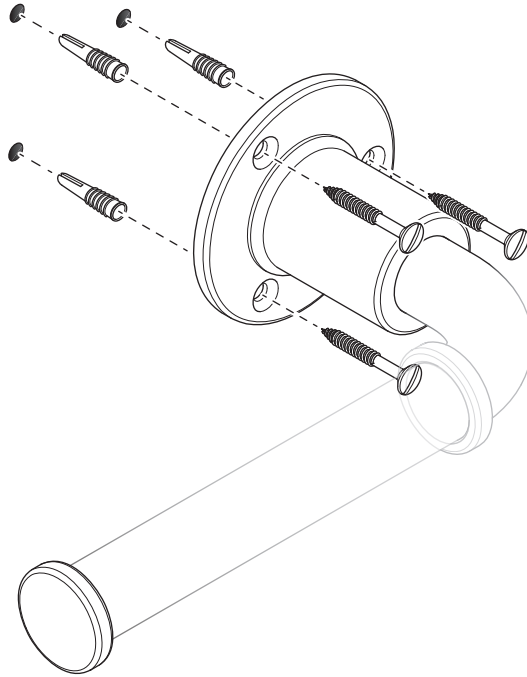
---

LEFROY BROOKS

# DIMENSIONS



## INSTALLATION



- 1 Place a spirit level on top of the holder arm to ensure the arm is level. Mark the hole positions on the mounting surface.
- 2 Drill holes using a  $\text{\O}6\text{mm}$  drill bit.
- 3 Insert the wall plugs into the holes then secure the spare paper holder using the screws supplied. Alternative wall plugs should be used subject to mounting surface construction (not supplied).



CONTRACT ENQUIRIES

+44 (0)1992 708 316

[info@lefroybrooks.co.uk](mailto:info@lefroybrooks.co.uk)

CUSTOMER SERVICE, SPARES & TECHNICAL ENQUIRIES

+44 (0)1902 390 894

[technical@lefroybrooks.co.uk](mailto:technical@lefroybrooks.co.uk)

LEFROYBROOKS.CO.UK

---

Whilst every effort is made to ensure the accuracy of these, they are subject to change without notice as part of the company's product development process. The use of trademarks, product design and artwork is subject to licence or agreement with LBIP Ltd. The design registrations, trademark registrations and copyrights are protected by law and the use or reproduction outside the terms of an agreement is prohibited. The right to modify designs and dimensions is reserved. LBIP Ltd is a member of ACID (Anti Copying in Design). E&OE