



LEFROY BROOKS

1 BROOK HOUSE ESSEX ROAD
HODDESDON HERTS EN11 0QS UK
T: +44 (0)1992 708 316 F: +44 (0)1992 708 317

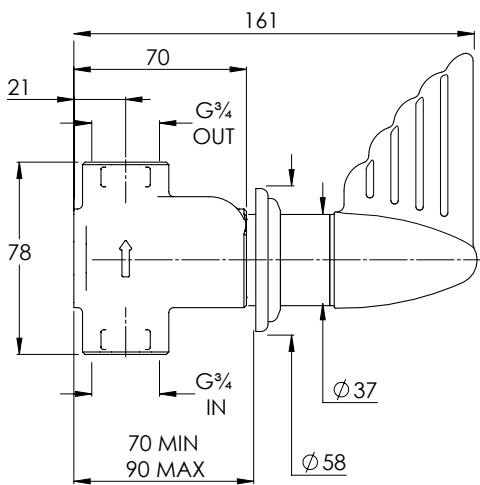
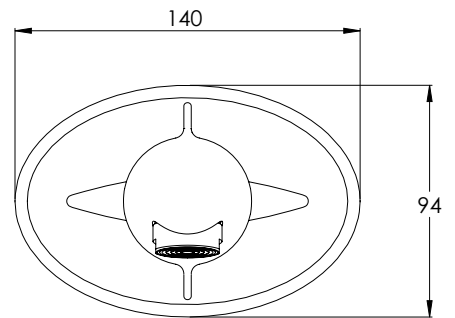
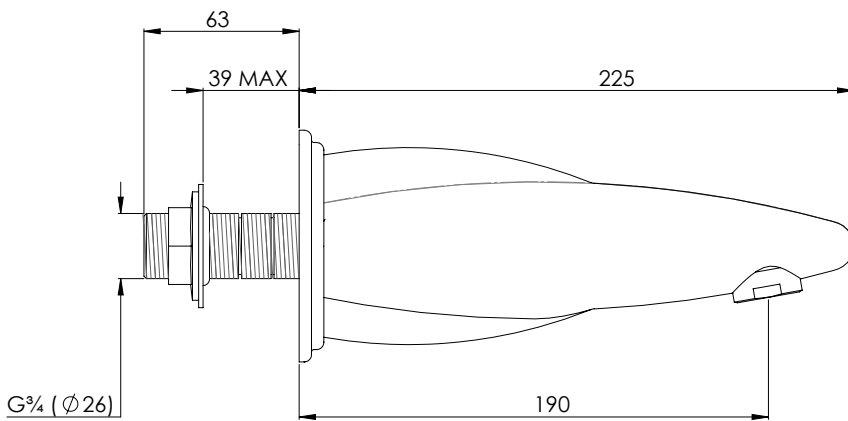
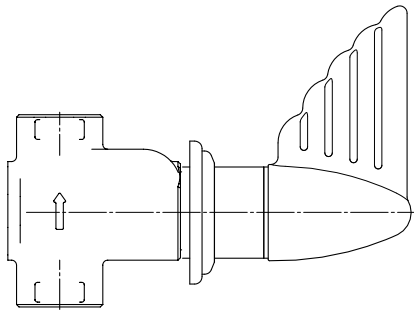
RL1172

BELLE AIRE LEVER CONCEALED WALL BATH
FILLER

DIMENSIONAL DATA SHEET

DATE: 04/02/2020

REVISION: B



DIMENSIONS IN MILLIMETRES

COPYRIGHT © LBIP LTD. ALL RIGHTS RESERVED