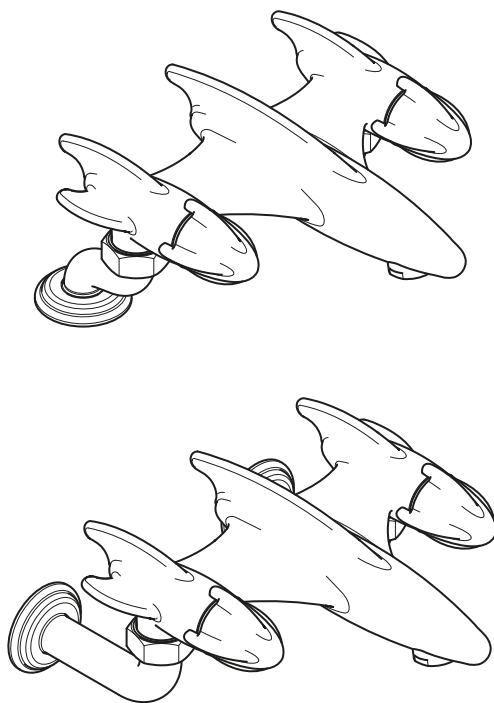


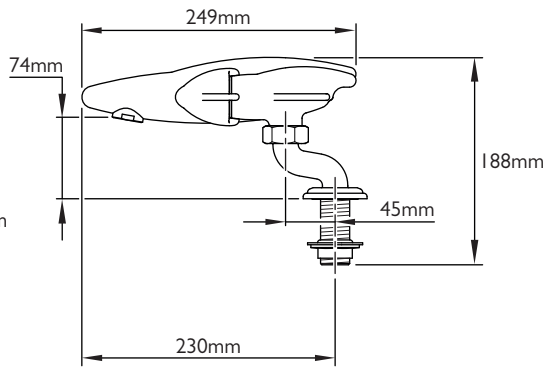
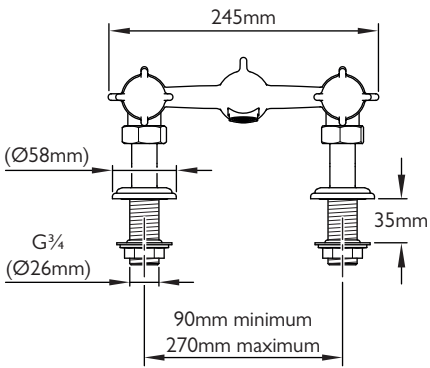
1127 / 1171
BELLE AIRE BATH BRIDGE FILLER
INSTALLATION GUIDE



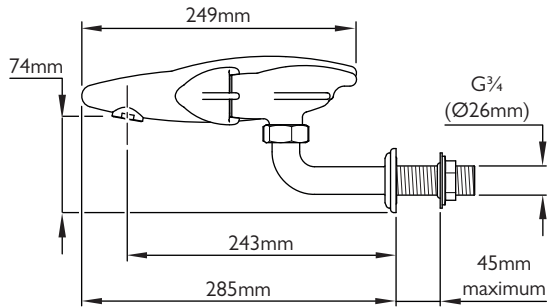
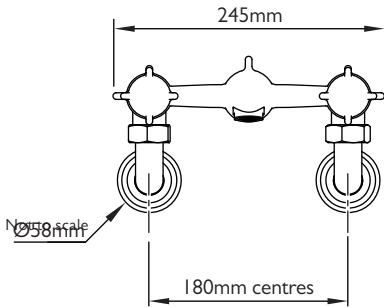
LEFROY BROOKS

DIMENSIONS

1127



1171



IMPORTANT INFORMATION

Professional installation

We recommend that our products are fitted by a fully qualified professional plumber. They should be installed correctly and in accordance with all local water regulations and the system protected by non-return valves (not supplied). All products should be accessible for routine servicing.

Suits all systems

This Lefroy Brooks product is potentially suitable for every possible application, type of boiler and water supply pressure. However, if your supply pressure is below 1 bar it is advisable to fit a water pump. For systems with combination boilers, it is not advisable to fit pumps (refer to boiler manufacturer).

Supply connections

The hot water supply must be connected to the left port, cold water to the right as viewed from the front.

Supply temperature safety notice

To comply with local building regulations, current legislation, relevant standards and codes of practice a thermostatic mixing valve (TMV) should be fitted (not supplied) to the hot supply. This will restrict the temperature to a safe working maximum temperature. Maximum allowed temperatures vary subject to type of installation or specification of building.

Balancing flow

If there is a significant difference in water pressures between hot & cold supplies, we recommend an in-line flow suppressor/regulator (not supplied) be fitted. This should be fitted to whichever has the greater flow rate, in an accessible position close to the valve.

Water quality

In hard water areas, a suitable water treatment system should be provided to prevent limescale deposits (calcium deposits) which may effect the long term performance of the ceramic cartridges. Exterior surfaces should be gently wiped with a dry soft cloth after use to minimise water stains and limescale deposits.

Flushing system

It is most important to flush out all pipework thoroughly before connecting the product. Failure to do so is the single most common cause of ceramic cartridge failure.

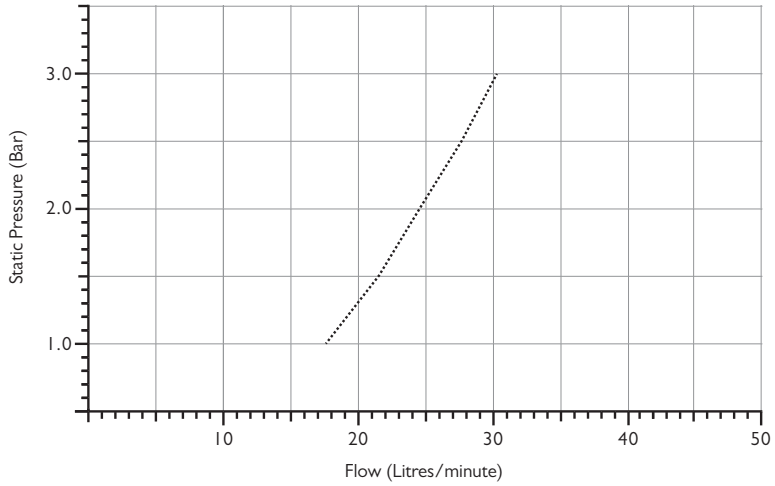
General installation details

Both wall and deck mounted models have G $\frac{3}{4}$ threaded tails and are designed to fit standard 22mm fittings/connections.

Servicing

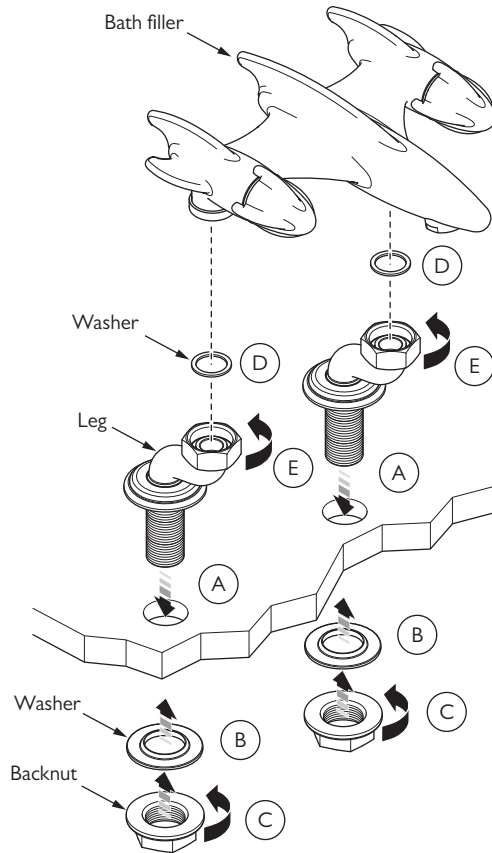
All serviceable parts are available to maintain your Lefroy Brooks product.

TYPICAL FLOW RATES



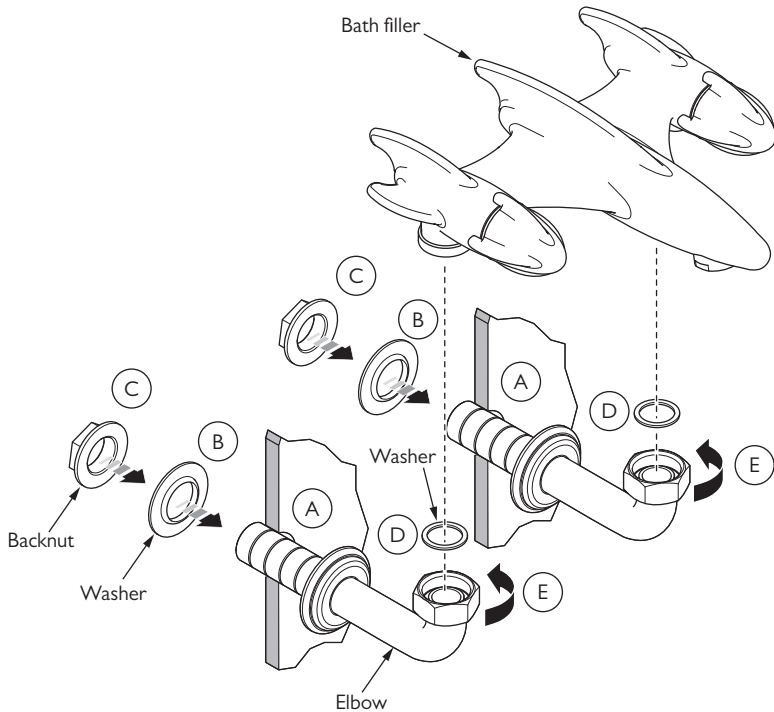
Note: Balanced pressures shown are applied directly to the hot and cold inlets; flow rates indicated are free flowing and may vary subject to restrictions created by installation, pipework, layout or application.

DECK MOUNTED BATH BRIDGE FILLER INSTALLATION



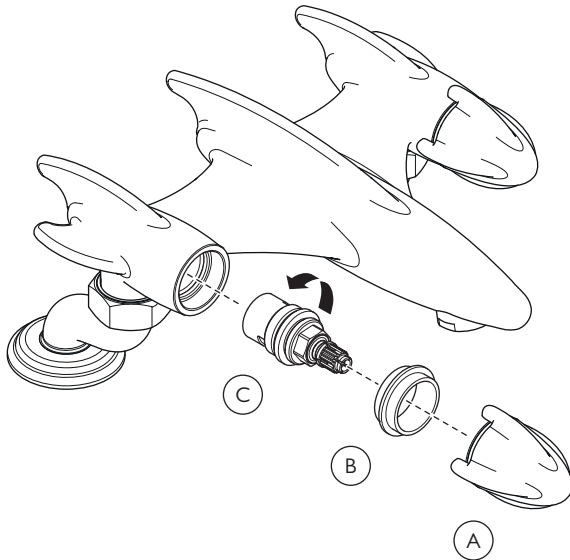
- 1 Where necessary drill suitable sized holes in the mounting surface. We recommend $\text{Ø}27\text{mm} - \text{Ø}30\text{mm}$.
- 2 Unscrew and remove the backnuts and washers from the threaded tails of the legs.
- 3 Pass the threaded tails of the legs through the holes in the mounting surface (A).
- 4 Locate the rubber washers on to the threaded tails of the legs (B).
- 5 Screw the backnuts on to the threaded tails (C). Do not tighten the backnuts.
- 6 Ensure that the washers are located in the top of the legs (D).
- 7 Locate the bath bridge filler on to the legs and screw the upper leg nuts, finger tight only, to hold the filler in place (E). Do not tighten the leg nuts.
- 8 Adjust the bath bridge filler to its required location.
- 9 Tighten the backnuts and upper leg nuts to secure. We recommend the use of nut protectors or wrapping the jaws of the spanner with tape to prevent damage to the surface finish.

WALL MOUNTED BATH BRIDGE FILLER INSTALLATION



- 1 Where necessary drill suitable sized holes in the mounting surface. We recommend $\text{Ø}27\text{mm} - \text{Ø}30\text{mm}$.
- 2 Unscrew and remove the backnuts and washers from the threaded tails of the elbows.
- 3 Pass the threaded tails of the elbows through the holes in the mounting surface (A).
- 4 Locate the rubber washers on to the threaded tails of the elbows (B).
- 5 Screw the backnuts on to the threaded tails (C). Do not tighten the backnuts.
- 6 Ensure that the washers are located in the top of the elbows (D).
- 7 Locate the bath bridge filler on to the elbows and screw the upper elbow nuts, finger tight only, to hold the filler in place (E). Do not tighten the elbow nuts.
- 8 Adjust the bath bridge filler to its required location.
- 9 Tighten the backnuts and upper elbow nuts to secure. We recommend the use of nut protectors or wrapping the jaws of the spanner with tape to prevent damage to the surface finish.

SERVICING – CARTRIDGE REPLACEMENT

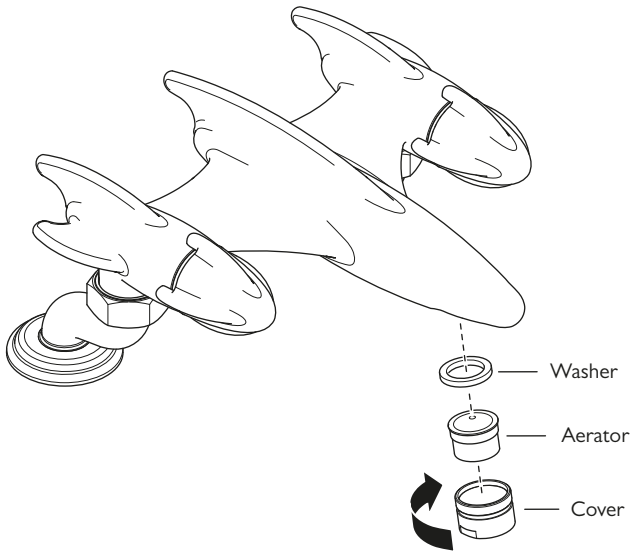


Before continuing please ensure that the water supplies have been isolated and drained where necessary.

- 1 To remove, support the body of the bath bridge filler, grasp the handle(s) and pull firmly in a straight line clear of the bath bridge filler (A).
- 2 Pull and remove the identification ring(s) (B).
- 3 Using a 17mm a/f spanner or socket unscrew the cartridge(s) and remove (C).
- 4 Check inside the bath bridge filler body for any debris or limescale. Wipe clean as required.
- 5 Screw new ceramic cartridge(s) into the bath bridge filler body and tighten using a 17mm spanner or socket.
- 6 Open the water supply.
- 7 Check for leaks.
- 8 Locate the identification ring(s).
- 9 Replace the handle(s). Gently align the handle(s) on the spindle(s) then push to locate.
- 10 Check operation of the cartridge(s).

SERVICING – CLEANING THE AERATOR

Shown with 1127 model..



1 There is an aerator located in the end of the bath bridge filler. To remove this unscrew and remove the cover.

2 The aerator can be cleaned in warm soapy water or replaced.

3 Assemble in the reverse order.

FAULT FINDING

The hot/cold handles are turned off but the filler drips continuously.

- Replace the ceramic cartridge(s). See 'replacement parts' section for spare part numbers and the 'servicing – cartridge replacement' section.

Water flow from the spout is reduced.

- Debris from the water supply may be causing restriction at the aerator located in the end of the spout. The aerator can be removed for cleaning (see 'servicing – cleaning the aerator' section).

Noisy operation.

- Reduce water pressure.

REPLACEMENT PARTS

- PHL067 – Pair of $\frac{3}{4}$ " x $\frac{1}{2}$ turn ceramic cartridges with spline adapters.
- PXT006 – Pair of plastic spline adapters.
- PSP031 – Pair of sealing 'O' rings for wall/deck plates.
- PSH032 – Aerator, washer & housing.



CONTRACT ENQUIRIES

+44 (0)1992 708 316

info@lefroybrooks.co.uk

CUSTOMER SERVICE, SPARES & TECHNICAL ENQUIRIES

+44 (0)1902 390 894

technical@lefroybrooks.co.uk

LEFROYBROOKS.CO.UK

Whilst every effort is made to ensure the accuracy of these, they are subject to change without notice as part of the company's product development process. The use of trademarks, product design and artwork is subject to licence or agreement with LBIP Ltd. The design registrations, trademark registrations and copyrights are protected by law and the use or reproduction outside the terms of an agreement is prohibited. The right to modify designs and dimensions is reserved. LBIP Ltd is a member of ACID (Anti Copying in Design). E&OE