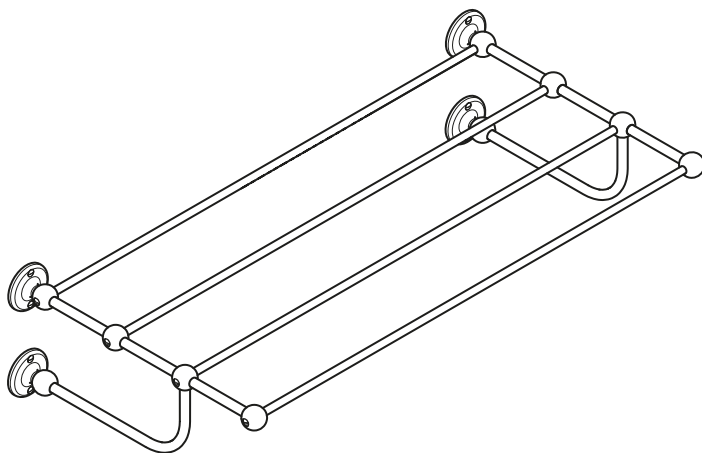


4944  
TOWEL SHELF  
INSTALLATION GUIDE

---



---

LEFROY BROOKS

# IMPORTANT INFORMATION

## Professional installation

We recommend that our products are fitted by a fully qualified professional. A tester should be used to ensure there are no hidden pipes or electric cables installed where the product is to be fitted.

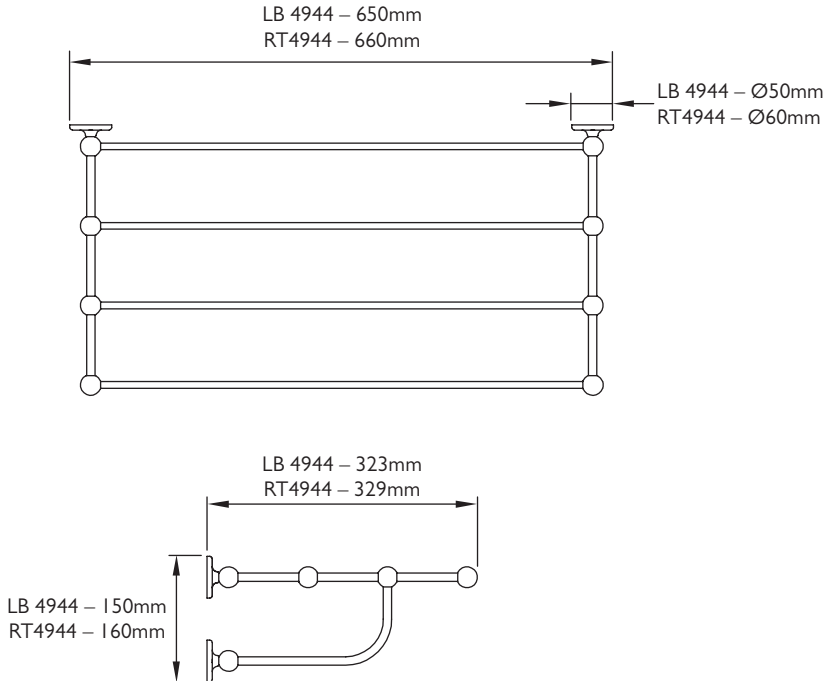
## Wall fixings

The screws and wall plugs provided are suitable for most brick walls. However, appropriate fixings should be used if the wall is constructed of plasterboard or soft building block.

---

## DIMENSIONS

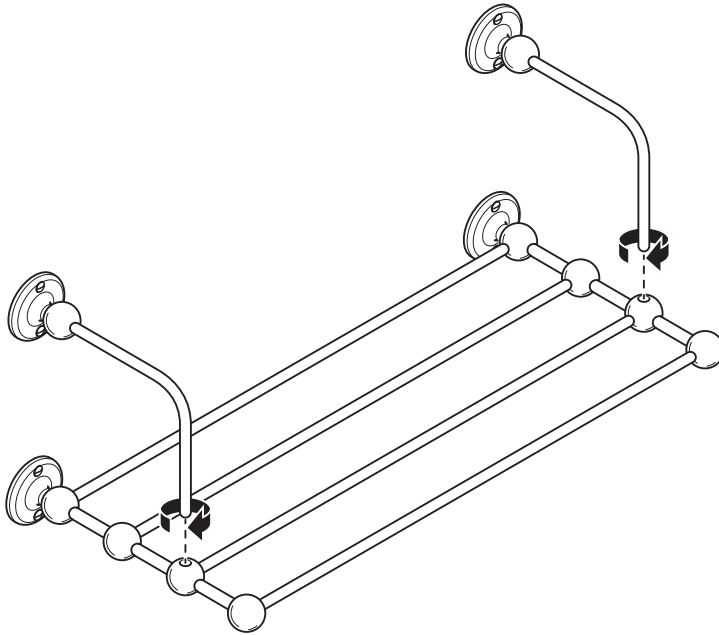
Shown with LB 4944



Not to scale

# INSTALLATION

Shown with LB 4944



## Assembling the shelf

- 1 Locate and screw the support arms into the threaded holes in the shelf. Ensure that the arms are screwed fully into the shelf to conceal the thread.
- 2 Align the support arms parallel to the sides of the towel shelf.

## Installation

The towel shelf can be installed with the support arms above or below the shelf.

- 1 Hold the shelf in a suitable position. Use a spirit level to ensure the shelf is level/horizontal.
- 2 Mark the fixing hole positions.
- 3 Drill the holes using a suitable drill for the supplied fixings.
- 4 Insert the wall plugs.
- 5 Secure the shelf using the screws supplied.



CONTRACT ENQUIRIES

+44 (0)1992 708 316

[info@lefroybrooks.co.uk](mailto:info@lefroybrooks.co.uk)

CUSTOMER SERVICE, SPARES & TECHNICAL ENQUIRIES

+44 (0)1902 390 894

[technical@lefroybrooks.co.uk](mailto:technical@lefroybrooks.co.uk)

LEFROYBROOKS.CO.UK

---

Whilst every effort is made to ensure the accuracy of these, they are subject to change without notice as part of the company's product development process. The use of trademarks, product design and artwork is subject to licence or agreement with LBIP Ltd. The design registrations, trademark registrations and copyrights are protected by law and the use or reproduction outside the terms of an agreement is prohibited. The right to modify designs and dimensions is reserved. LBIP Ltd is a member of ACID (Anti Copying in Design). E&OE