



LEFROY BROOKS

IBROC HOUSE ESSEX ROAD
HODDESDON HERTS EN11 0QS UK
T: +44 (0)1992 708 316 F: +44 (0)1992 708 317

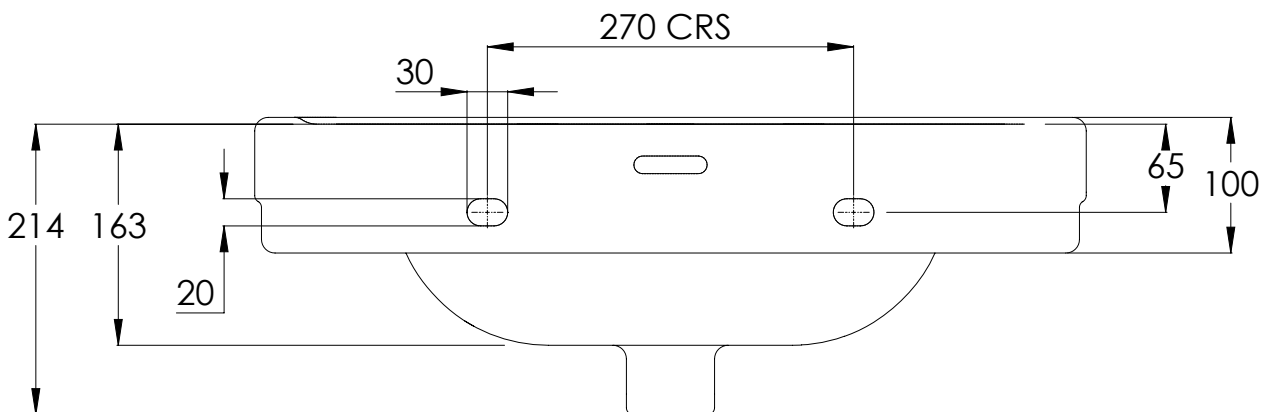
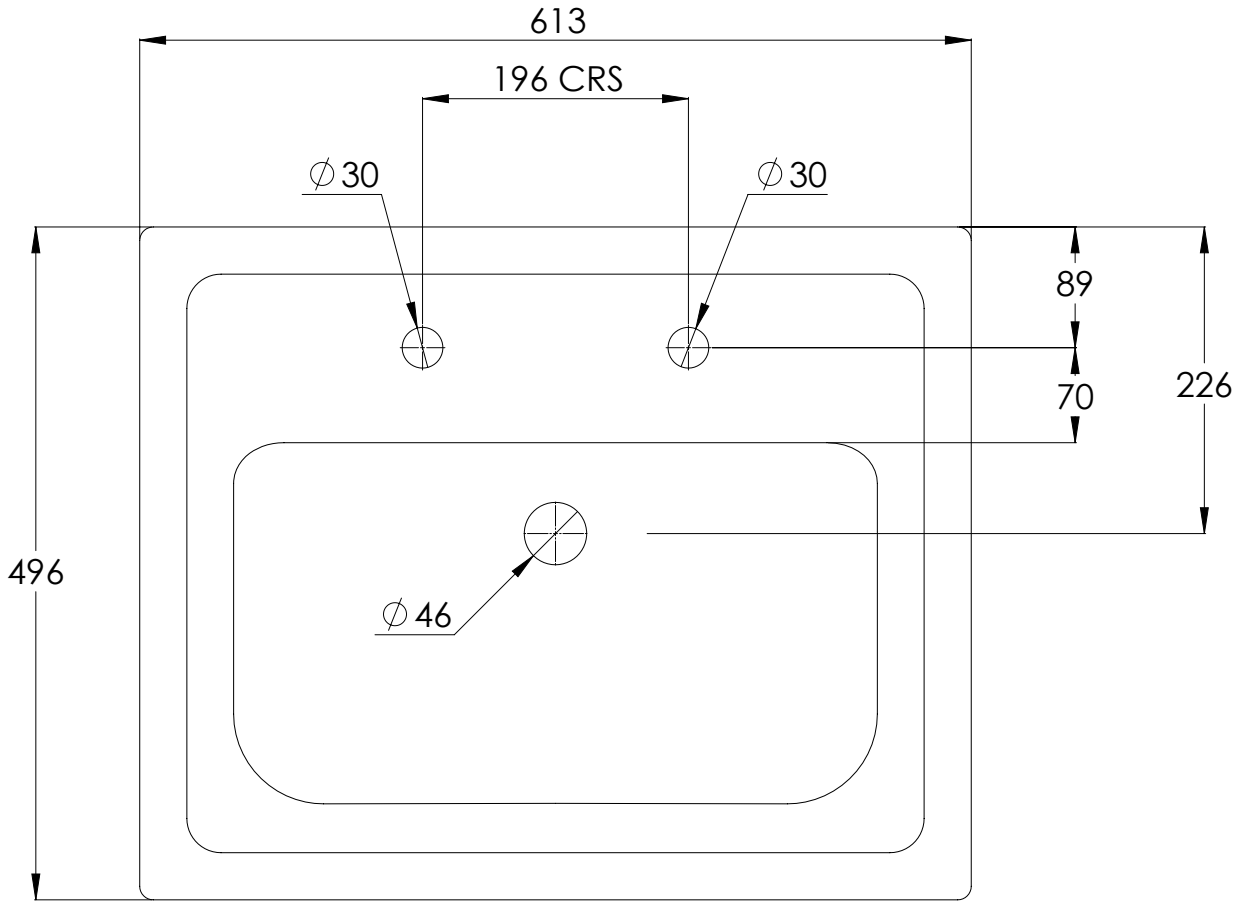
LB7302

METROPOLE TWO HOLE BASIN

DIMENSIONAL DATA SHEET

DATE: 05/06/2019

REVISION: A



ALL SHOWN DIMENSIONS ARE IN MILLIMETERS AND ARE SUBJECT TO STANDARD CERAMIC TOLERANCES.

WE RECOMMEND THAT ANY INSTALLATION WORK BE CARRIED OUT UPON RECEIPT OF ITEM.

WHILST EVERY EFFORT IS MADE TO ENSURE THE ACCURACY OF THESE DATA SHEETS THEY ARE SUBJECT TO CHANGE WITHOUT NOTICE AS PART OF THE COMPANY'S PRODUCT DEVELOPMENT PROCESS