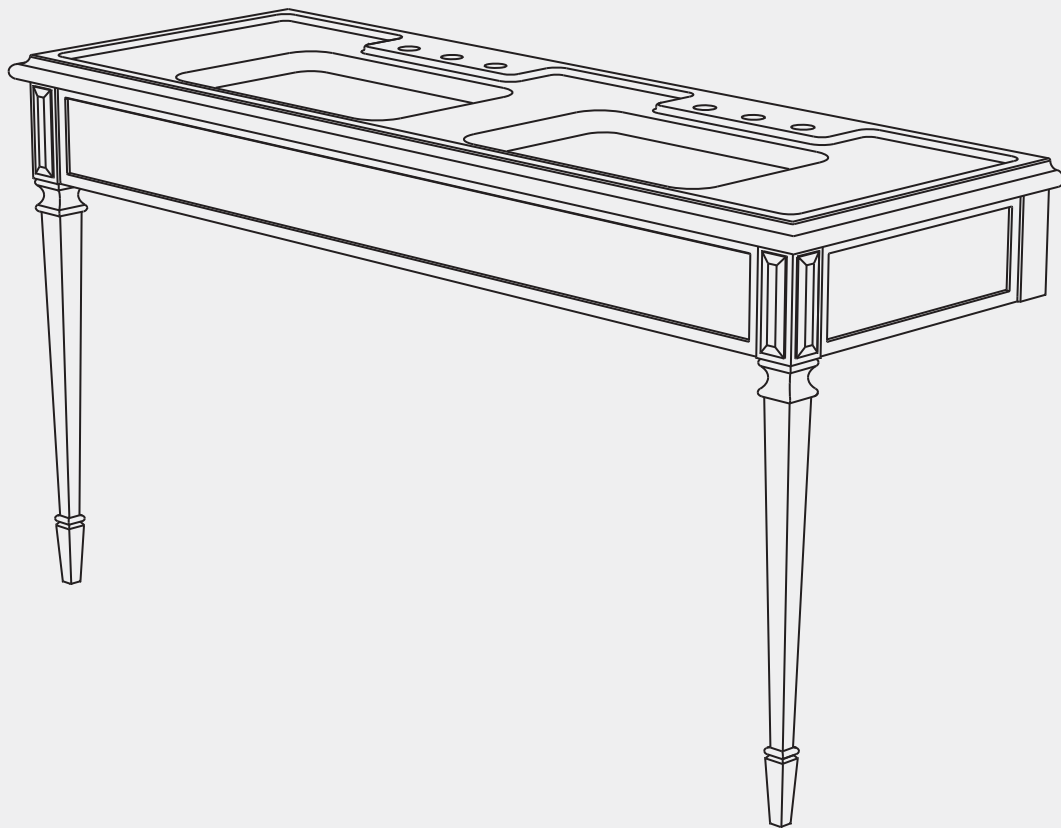


INSTALLATION INSTRUCTIONS

# LB 6443 BK

MACKINTOSH DOUBLE MARBLE CONSOLE WITH SOLID BRASS LEGS



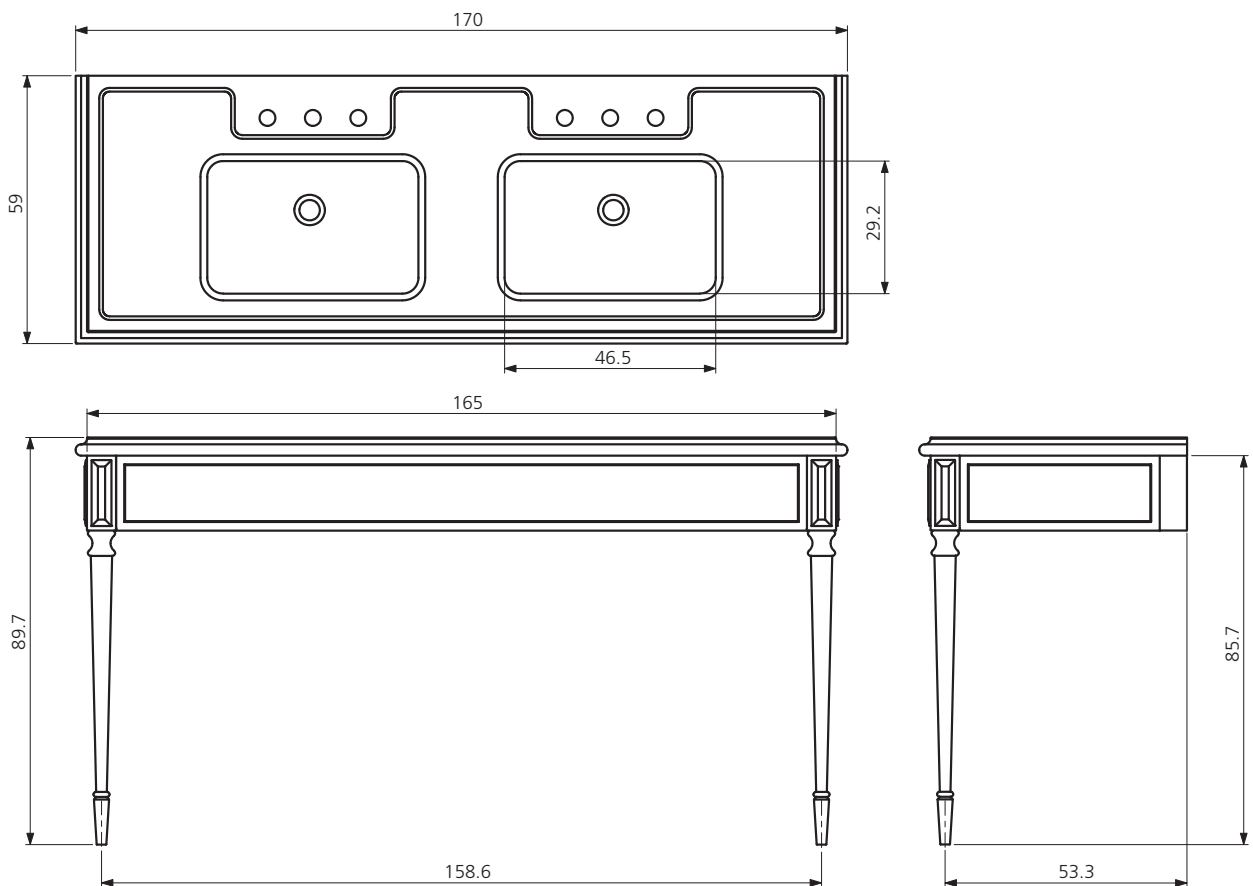
L E F R O Y   B R O O K S

# Specifications

## Dimensions (In Centimetres)

---

LB 6443 BK

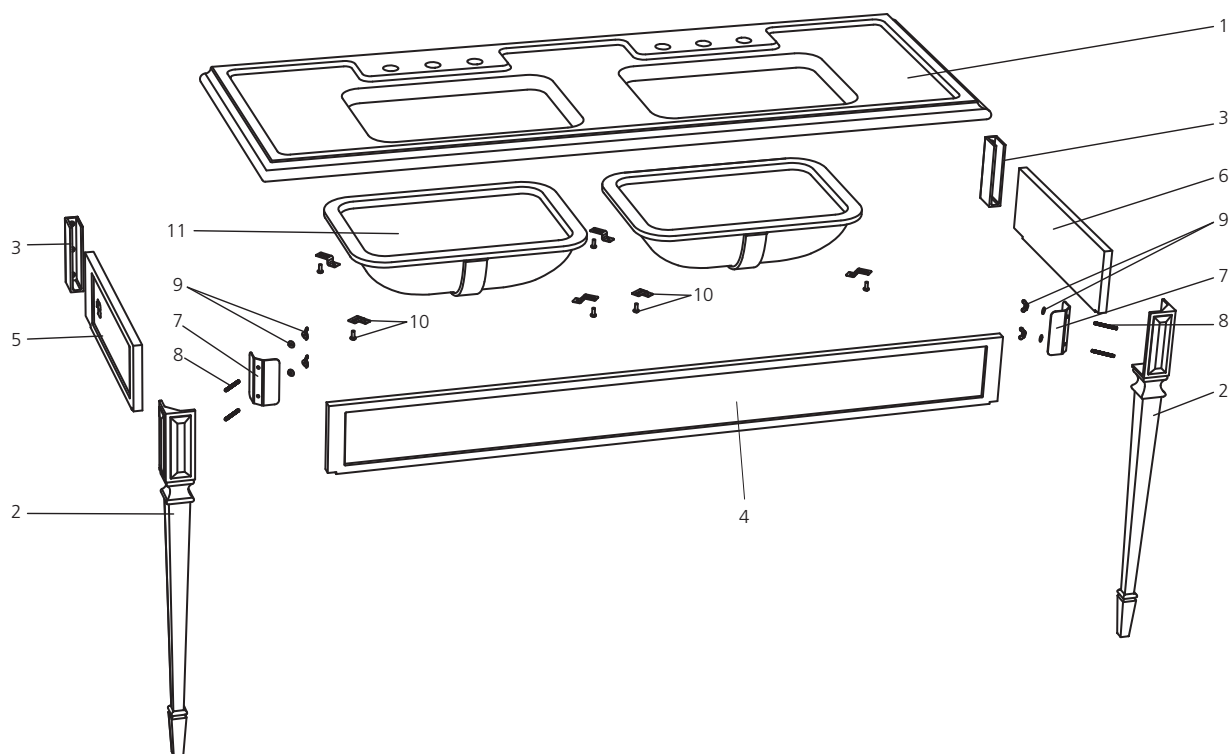


Whilst every effort is made to ensure accuracy, design and dimensions are subject to change without notice as part of the company's product development process.

# Exploded View

## Spare Parts List

LB 6443 BK



1	Mackintosh twin basin marble console top	LB 6443 BK A	QTY: 1
2	Mackintosh leg	LSD 014	QTY: 2
3	Marble location bracket	LSD 007	QTY: 2
4	Mackintosh twin basin marble console front	LB 6443 BK B	QTY: 1
5	Mackintosh twin basin marble console left side	LB 6443 BK CL	QTY: 1
6	Mackintosh twin basin marble console right side	LB 6443 BK CR	QTY: 1
7	Console metal leg fixing bracket	LSD 011	QTY: 2
8	Threaded bar	LSD 012	QTY: 4
9	Wing nut kit	LSD 013	QTY: 4
10	Basin clip set	XX 250	QTY: 4
11	Basin	LB 7250	

# Important Information

## Preparation

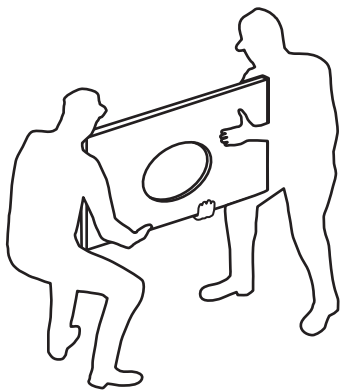
---

- This product should be installed by a suitably qualified professional.
- A minimum of 4 people is recommended to complete this job.
- Before beginning ensure that all horizontal surfaces are level and vertical surfaces are plumb.
- Ensure the wall and floor have sufficient load bearing capabilities to allow this product to be installed safely and securely.
- Take care when lifting and observe proper safety procedures.
- Wear protective boots and gloves.

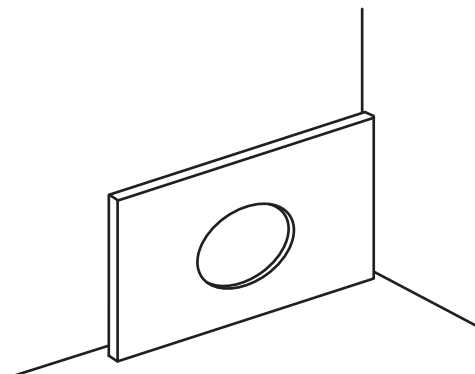
## Product Care

---

- Marble is fragile and can easily be damaged during transportation and installation. Take special care when the product is being moved and assembled.
- For your own safety and as to not damage the product:



Always carry **vertically**



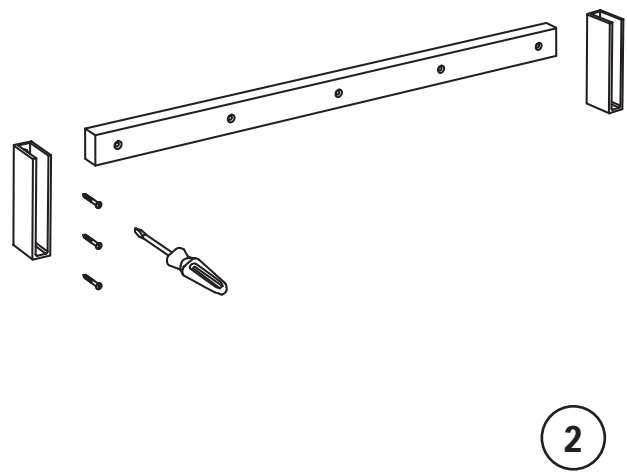
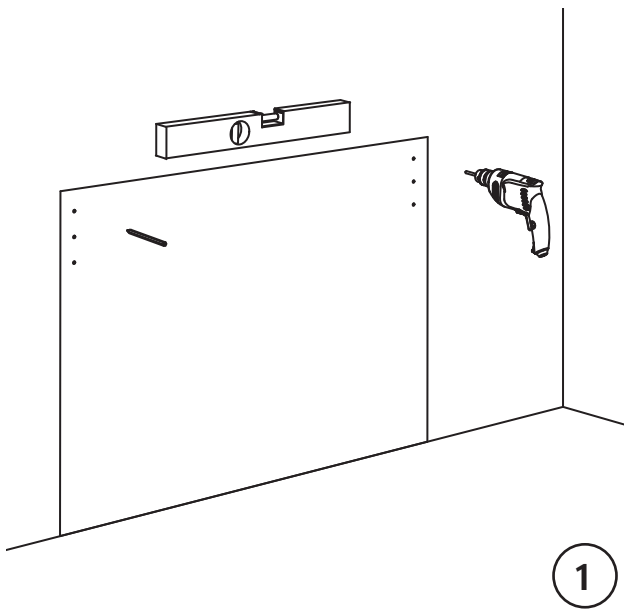
Always store **vertically**

- Do not open the crate whilst in the vertical position. Make sure that the crate is laid down **horizontally** before unclipping for personal safety and to prevent damage.

# Steps 1-2

## Installation Procedure

---



- 1 Make sure that the wall and deck are square and plumb.

Check and mark the correct placement for the wall brackets, check level with spirit level then drill holes.

**Note:** Due to the tolerance of the marble, all dimensions are approximate.

- 2 Fix wall brackets to the wall using suitable wall plugs and screws.

We recommend the use of a wall batten.

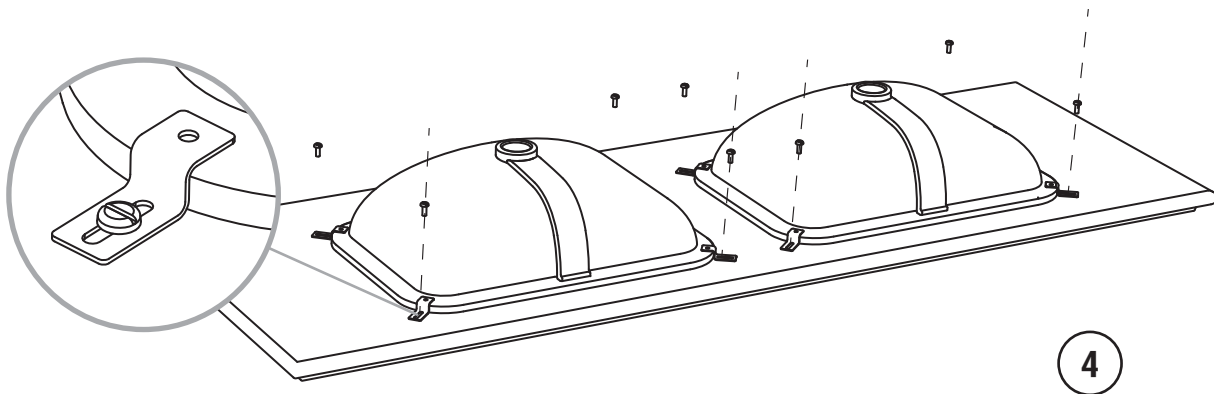
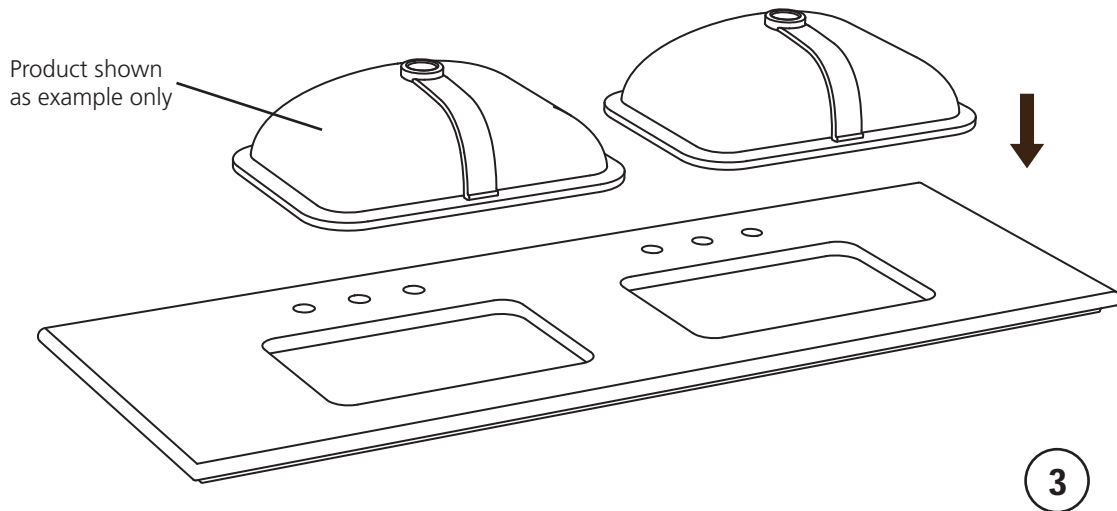
**Important:**

Make sure the batten does not obstruct the fitting of any plumbing installation.

# Steps 3-4

## Installation Procedure

---



- 3** Prepare a clean and protective surface. Carefully place the countertop face down onto the surface.

Position and fix the basins to the underside of the countertop using suitable mastic.

Ensure the basins are in line with the countertop.

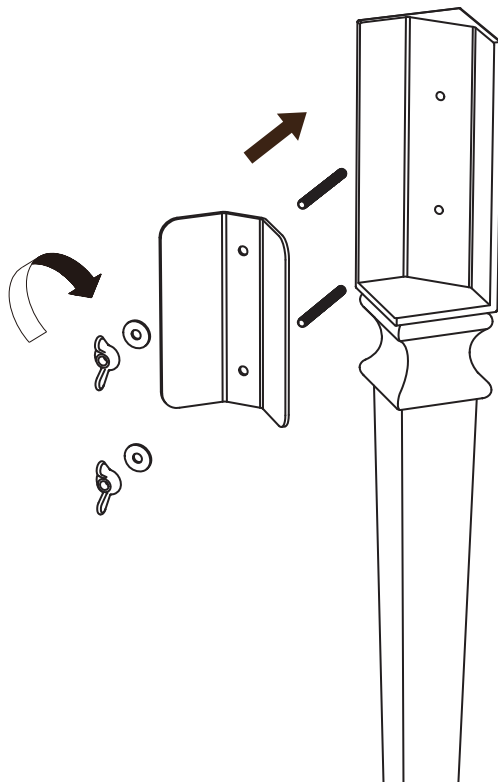
Leave the assembly to set overnight before continuing.

- 4** Secure the basins in place using the clips and screws provided.

# Step 5

## Installation Procedure

---



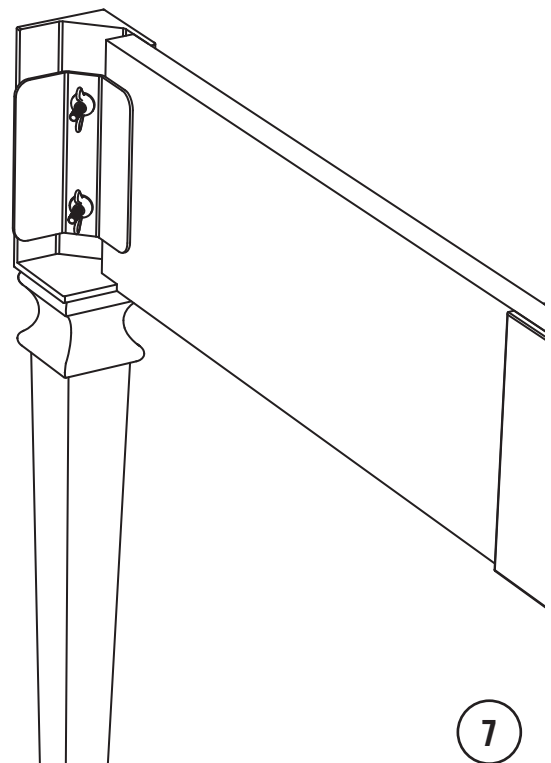
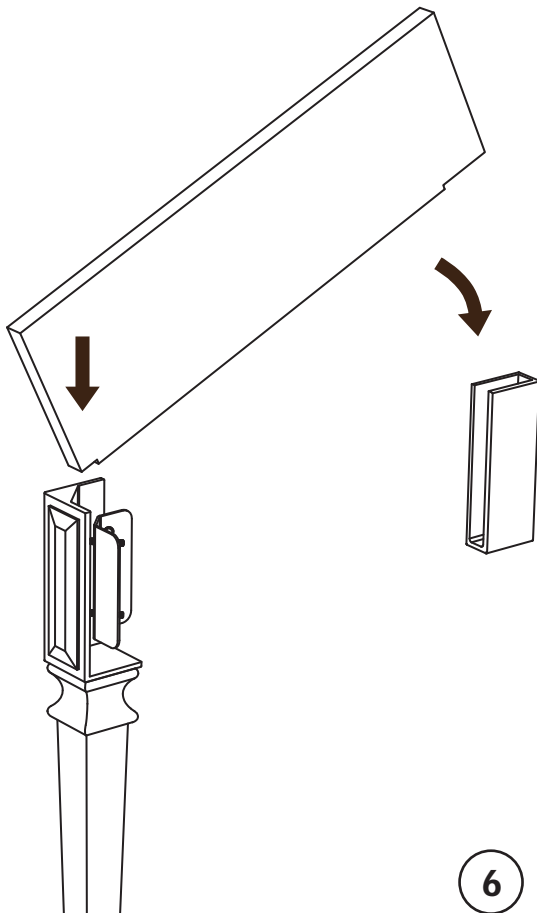
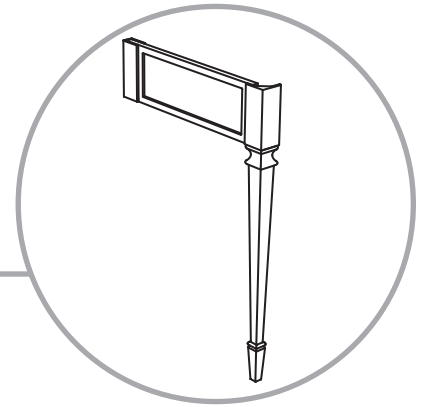
5

- 5 Prepare both legs by locating and screwing the threaded bars into each of the holes on the back of the console legs.

Attach console metal leg fixing brackets and wing nuts, as shown in diagram.

# Steps 6-7

## Installation Procedure



**6** Whilst supporting one of the legs, assemble first marble section by slotting the correct end into the corresponding wall bracket. Slot the other end into the corresponding section of the leg. Support the leg until the next stage is completed.

**7** Carefully tighten the wing nuts as to take the weight of these parts.

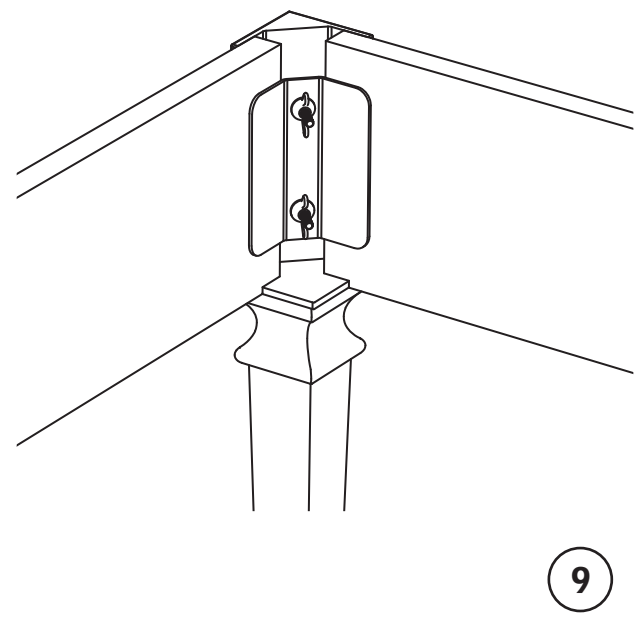
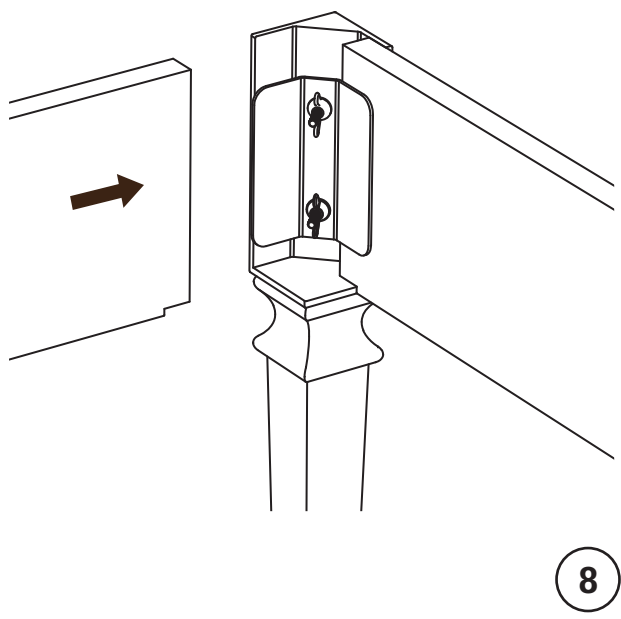
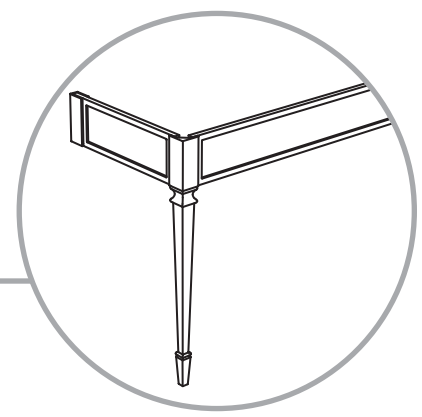
**Note:**

Take care not to over-tighten the wing nuts as this may damage the marble.



# Steps 8-9

## Installation Procedure



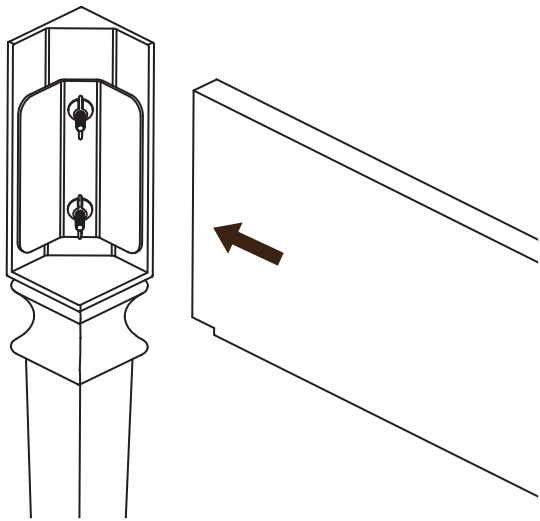
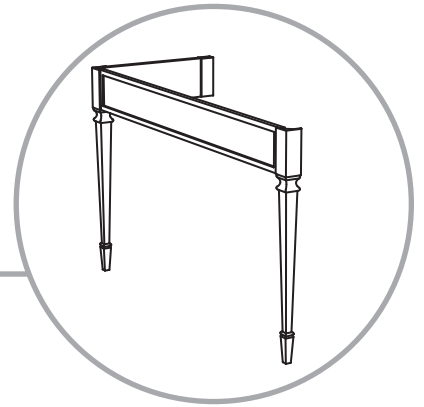
**8** Slot the front marble section into the corresponding section of the first leg.

**9** Secure the front marble section to the first leg making sure that the first two sections are now held in position by the wing nuts.

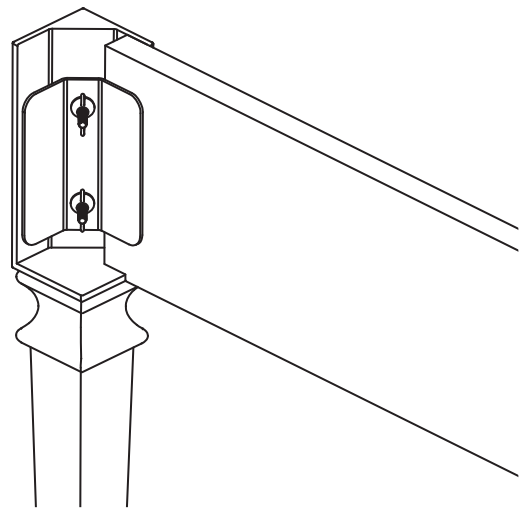
# Steps 10-11

## Installation Procedure

---



10



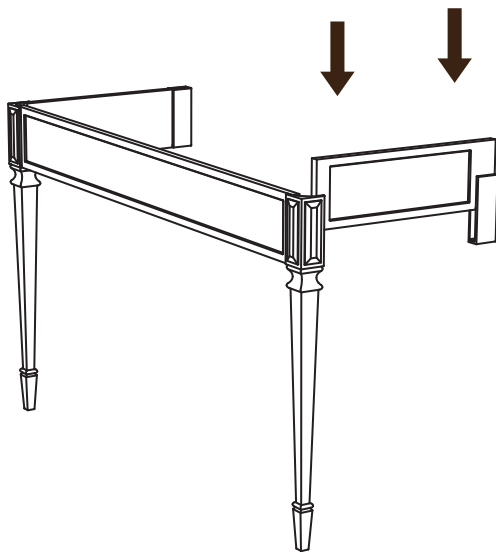
11

**10** Slot the other end of the front marble section into the second leg.

**11** Secure the second leg to the front section.

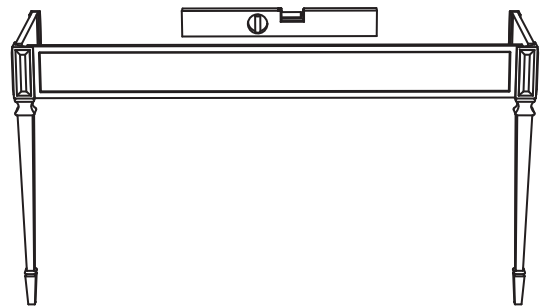
# Steps 12-13

## Installation Procedure



12

**12** Secure the last marble section by slotting the correct end into the remaining wall bracket. Locate the other end into the corresponding second leg.



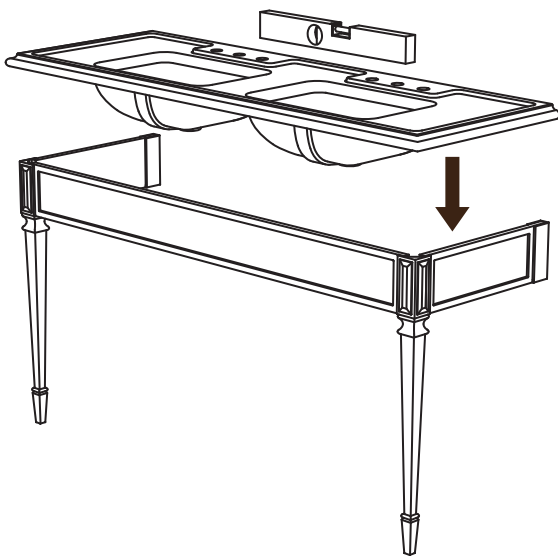
13

**13** Check with spirit level and carefully tighten the wing nuts. Make any adjustments that may be necessary.

# Steps 14-15

## Installation Procedure

---

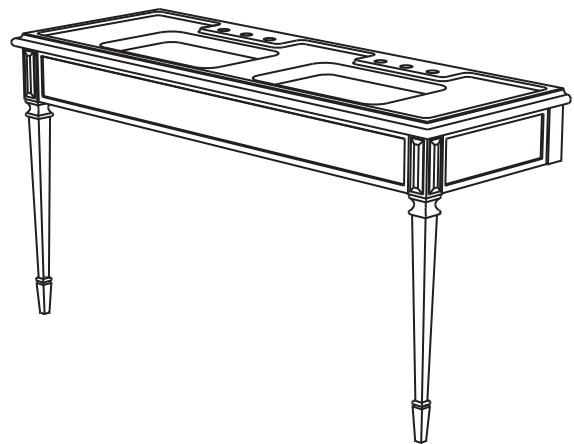


14

- 14** Carefully lower the countertop onto the batten and frame and position in place. Check with spirit level.

**Note:**

For extra strength we would recommend the use of an appropriate adhesive.



15

- 15** Complete installation.

**Important:**

Any brassware should be attached and plumbed by an experienced plumber.

# Aftercare

## Cleaning & Maintenance

---

- Marble is a porous and delicate material.
- Do not use abrasive wipes.
- Avoid abrasive and harsh cleaning agents.
- Never use acid-based products for cleaning.
- Clean with a clean soft damp cloth. Use a mild detergent and warm water.

**T +44 (0)1992 708 316**

**WWW.LEFROYBROOKS.CO.UK**



**L E F R O Y   B R O O K S**

Lefroy Brooks, Ibroc House, Essex Road, Hoddesdon, Hertfordshire,  
EN11 0QS, England

Whilst every effort is made to ensure the accuracy of these, they are subject to change without notice as part of the company's product development process. The use of trademarks, product design and artwork is subject to licence or agreement with LBIP Ltd. The design registrations, trademark registrations and copyrights are protected by law and the use or reproduction outside the terms of an agreement is prohibited. The right to modify designs and dimensions is reserved. LBIP Ltd is a member of ACID (Anti Copying in Design).

© COPYRIGHT 2015 LBIP LTD. ALL RIGHTS RESERVED.