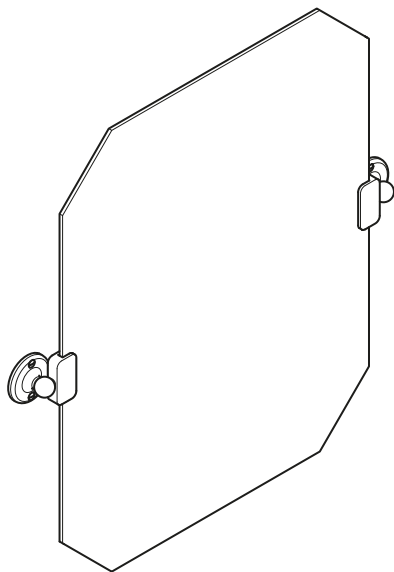


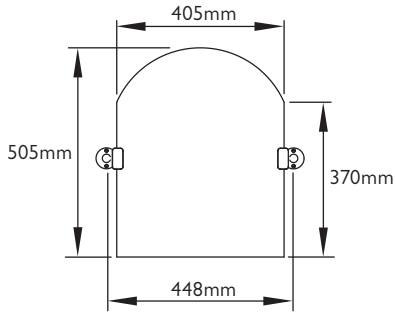
4509 / 4939 / 4943 / 4946 / 4955 / 4958 / 4961
MIRROR INSTALLATION
& GLASS REPLACEMENT GUIDE



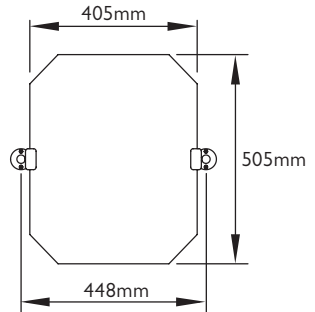
LEFROY BROOKS

DIMENSIONS

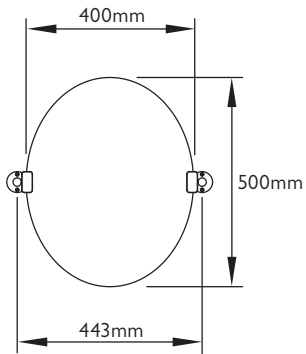
LB 4939 & RT 4939



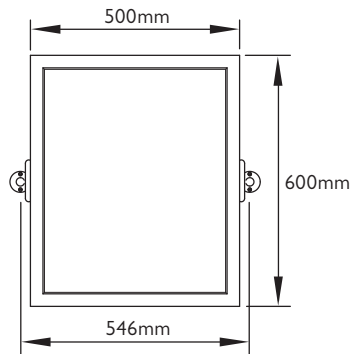
LB 4946



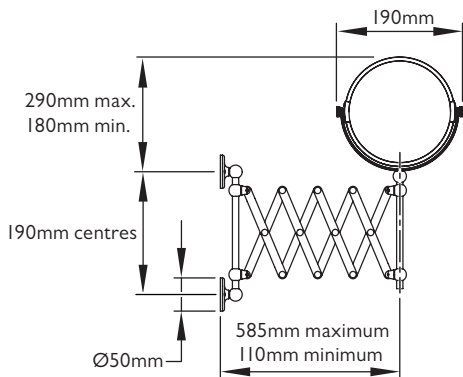
LB 4961



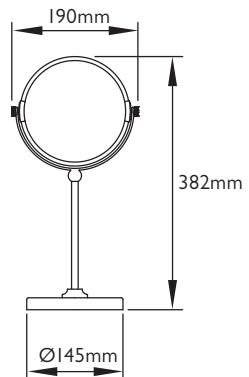
LB 4509



LB 4955



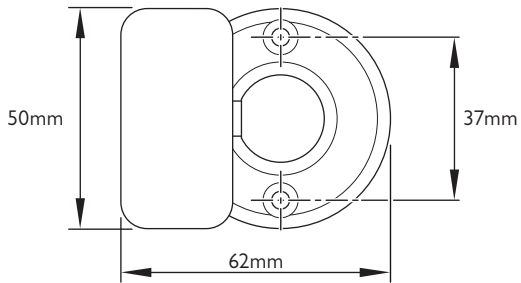
LB 4958



Not to scale

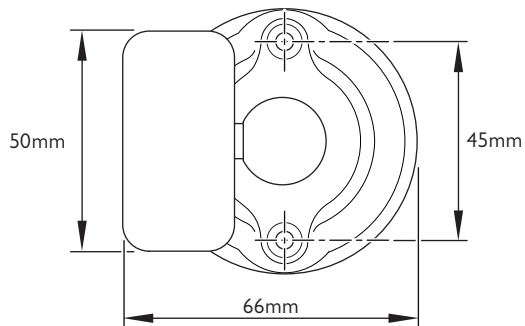
DIMENSIONS

LB 4943



Shown with single bracket. Supplied as a pair.

RT 4943



Shown with single bracket. Supplied as a pair.

Not to scale

MIRROR INSTALLATION & REPLACEMENT

Professional installation

We recommend that our products are fitted by a fully qualified professional. A tester should be used to ensure there are no hidden pipes or electrical cables where the product is to be installed.

Wall fixings

The screws and wall plugs provided are suitable for most brick walls. However, if the wall is constructed of plasterboard or soft building block the appropriate fixings should be used.

Installation

We recommend the use of a spirit level to ensure the brackets are level.

Should the mirror be damaged at any time it is recommended you follow the guidelines opposite. Always wear protective eye-wear and suitable gloves when attempting a repair.

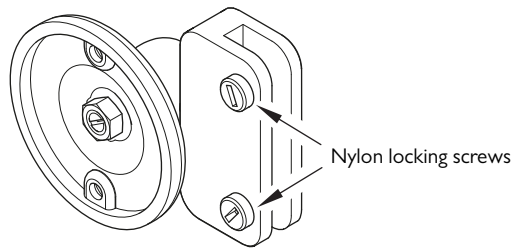
WALL MIRROR GLASS REPLACEMENT

For vanity & shaving mirror glass replacement, please see following section.

Mirror product code	Spares number	Description
LB 4939 & RT 4939	PCG023	Arched top
LB 4946	PCG024	Octagonal
LB 4961	PCG025	Oval

LB 4509 mirror glass is retained using adhesive. Replacement is difficult.

We advise ringing the customer service department for advice.



We recommend that two people remove and fit the mirror. This will reduce the chance of injury and damage.

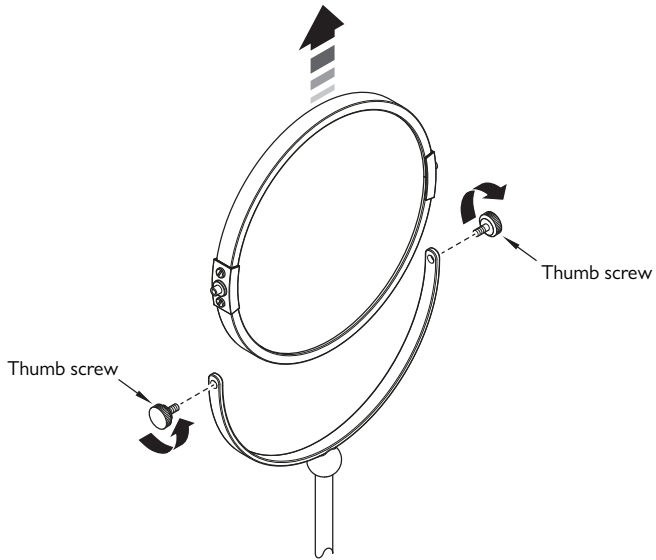
- 1 Take all necessary safety precautions to protect yourself from injury. Ensure that the mirror is supported.
- 2 Remove the fixing screws from the mirror brackets.
- 3 Remove the mirror and brackets from the wall and place reflective side down on a flat surface/work table.
- 4 Using a flat bladed screwdriver, unscrew the two nylon locking screws at the rear of each bracket.
- 5 Any damaged pieces of mirror can now be removed.
- 6 With the reflective side of the mirror facing down, position the mirror brackets in a central location. The nylon locking screws in the brackets should be at the rear of the mirror. Tighten the nylon locking screws.
- 7 The mirror can now be fitted to the wall. To do this, locate the mirror and line up the fixing holes with those in the mirror brackets. Use the screws removed previously to secure in place.

REPLACING THE VANITY/SHAVING MIRROR GLASS

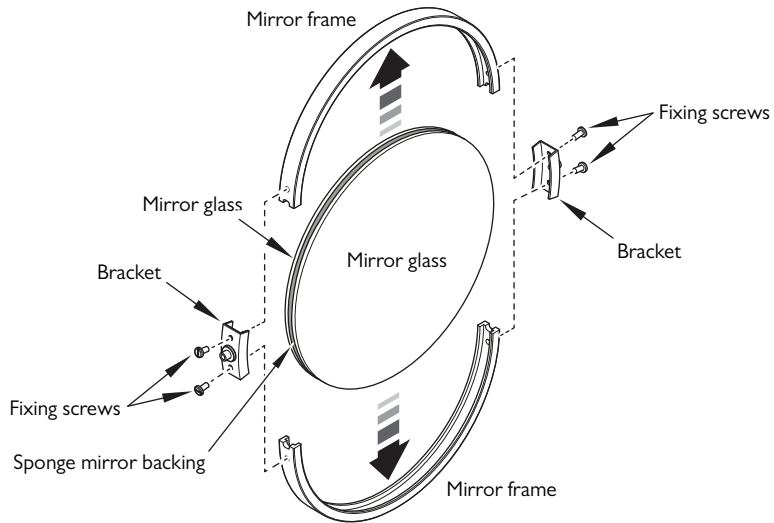
Mirror product code
LB 4955 & LB 4958

Spares number
PCG017
PCG018

Mirror glass description
Plain
Magnifying (2:1)



- 1 Take all necessary safety precautions to protect yourself from injury. Ensure that the mirror is supported.
- 2 Unscrew and remove the thumb screws from both sides of the mirror then lift the mirror assembly clear of the base/support.



- 3 Remove the four screws from the sides of the mirror assembly.
- 4 Remove both brackets from the mirror frame.
- 5 Slide the two piece mirror frame away from the mirror glass.
- 6 Remove damaged mirror and replace.
- 7 Hold the mirrors and foam backing firmly then slide the mirror frame into place. It may be necessary to compress the foam slightly when sliding the mirror frame in place.
- 8 With both sections of the mirror frame in place locate the brackets and align the screw holes.
- 9 Insert and tighten the four fixing screws.
- 10 Locate the mirror assembly to the base/support. Use the thumb screws removed previously to secure in place.



CONTRACT ENQUIRIES

+44 (0)1992 708 316

info@lefroybrooks.co.uk

CUSTOMER SERVICE, SPARES & TECHNICAL ENQUIRIES

+44 (0)1902 390 894

technical@lefroybrooks.co.uk

LEFROYBROOKS.CO.UK

Whilst every effort is made to ensure the accuracy of these, they are subject to change without notice as part of the company's product development process. The use of trademarks, product design and artwork is subject to licence or agreement with LBIP Ltd. The design registrations, trademark registrations and copyrights are protected by law and the use or reproduction outside the terms of an agreement is prohibited. The right to modify designs and dimensions is reserved. LBIP Ltd is a member of ACID (Anti Copying in Design). E&OE