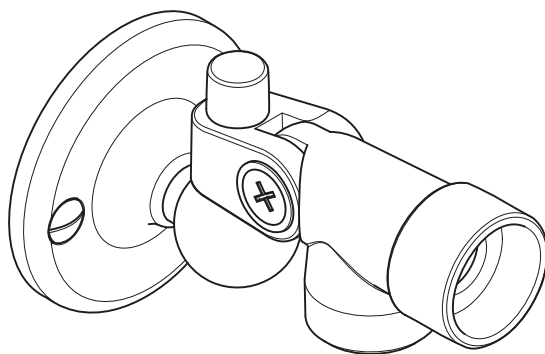


LB 1714
HOOK AND CONNECTOR
FOR HAND SHOWER
INSTALLATION GUIDE



LEFROY BROOKS

IMPORTANT INFORMATION

Professional installation

We recommend that our products are fitted by a fully qualified professional. A tester should be used to ensure there are no hidden pipes or electrical cables where the product is to be mounted.

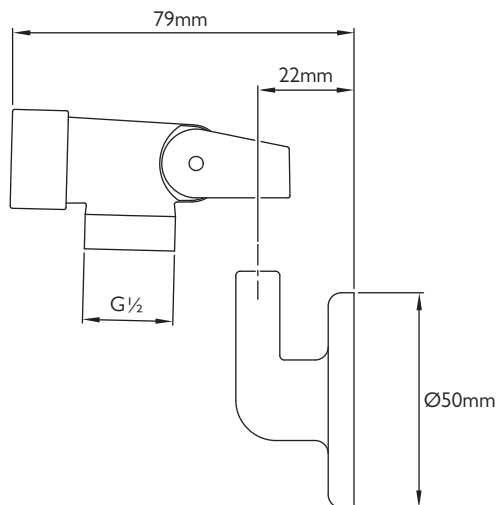
Wall fixings

The screws and wall plugs provided are suitable for most brick walls. However, if the wall is constructed of plasterboard or soft building block the appropriate fixings should be used.

Water quality

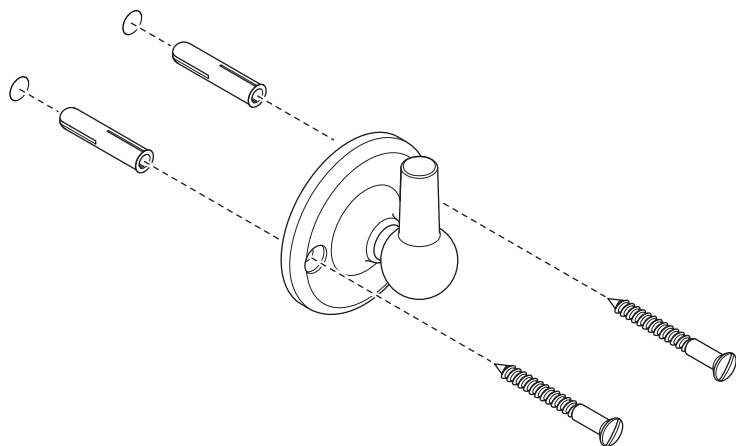
In hard water areas, a suitable water treatment system should be provided to prevent limescale deposits (calcium deposits) which may effect the long term appearance of the product. Exterior surfaces should be gently wiped with a dry soft cloth after use to minimise water stains and limescale deposits.

DIMENSIONS



Not to scale

INSTALLATION



- 1 Place the hook on to the mounting surface.
- 2 Mark the locations of the fixing holes.
- 3 Use a spirit level to ensure that the marked positions are level.
- 4 Drill two holes using a suitably sized drill bit for the wall plugs supplied. If alternate fixings are to be used then drill holes to suit these fixings.
- 5 Locate the hook and secure in place using screws.
- 6 Assemble the hose and hand shower to the connector.
- 7 Locate the connector on to the hook.



CONTRACT ENQUIRIES

+44 (0)1992 708 316

info@lefroybrooks.co.uk

CUSTOMER SERVICE, SPARES & TECHNICAL ENQUIRIES

+44 (0)1902 390 894

technical@lefroybrooks.co.uk

LEFROYBROOKS.CO.UK

Whilst every effort is made to ensure the accuracy of these, they are subject to change without notice as part of the company's product development process. The use of trademarks, product design and artwork is subject to licence or agreement with LBIP Ltd. The design registrations, trademark registrations and copyrights are protected by law and the use or reproduction outside the terms of an agreement is prohibited. The right to modify designs and dimensions is reserved. LBIP Ltd is a member of ACID (Anti Copying in Design). E&OE