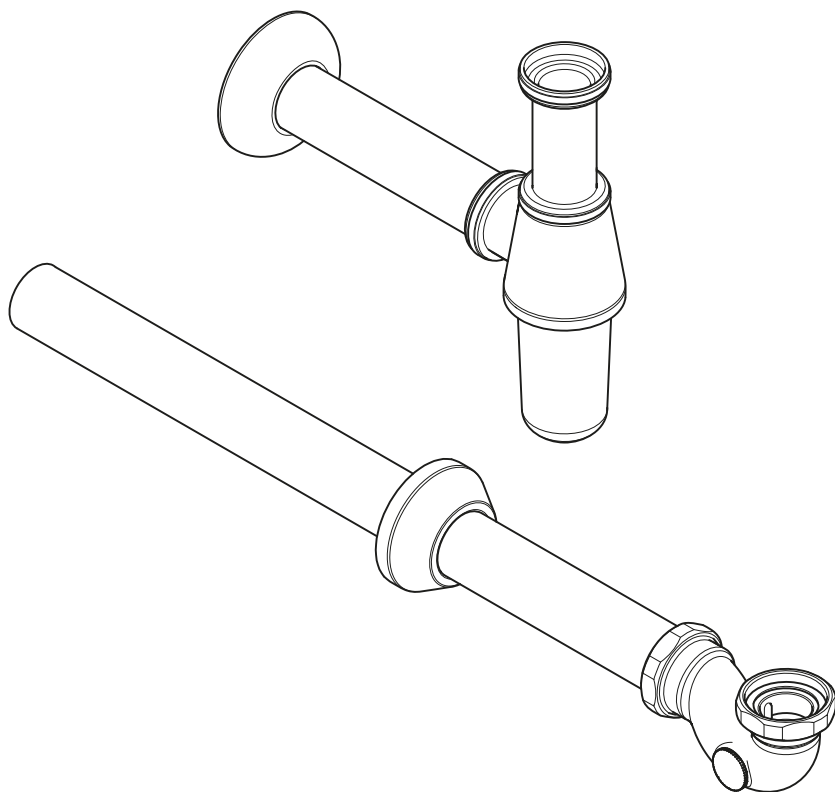


LB 1301 / LB 1302  
WASTE TRAP  
INSTALLATION GUIDE

---



---

LEFROY BROOKS



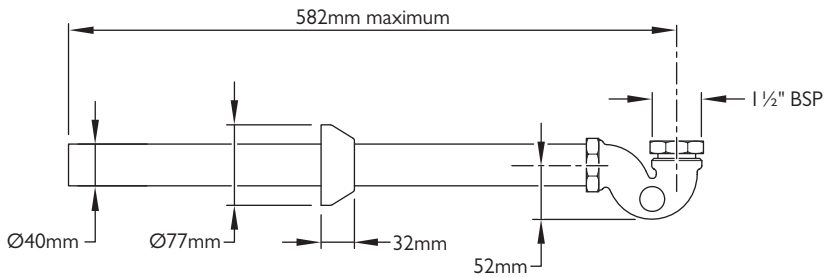
## IMPORTANT INFORMATION

### **Professional installation**

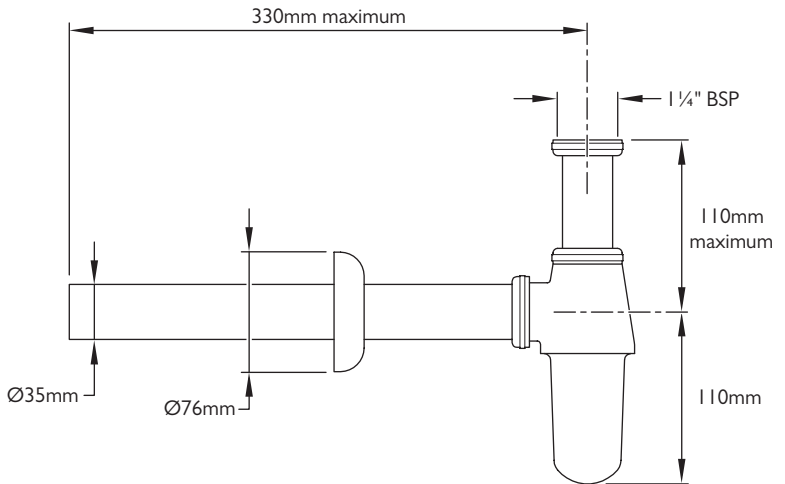
We recommend that our products are fitted by a fully qualified professional. They should be installed correctly and in accordance with all local water regulations. All connections should be accessible for routine servicing.

# DIMENSIONS

LB 1301 – Bath 'P' trap



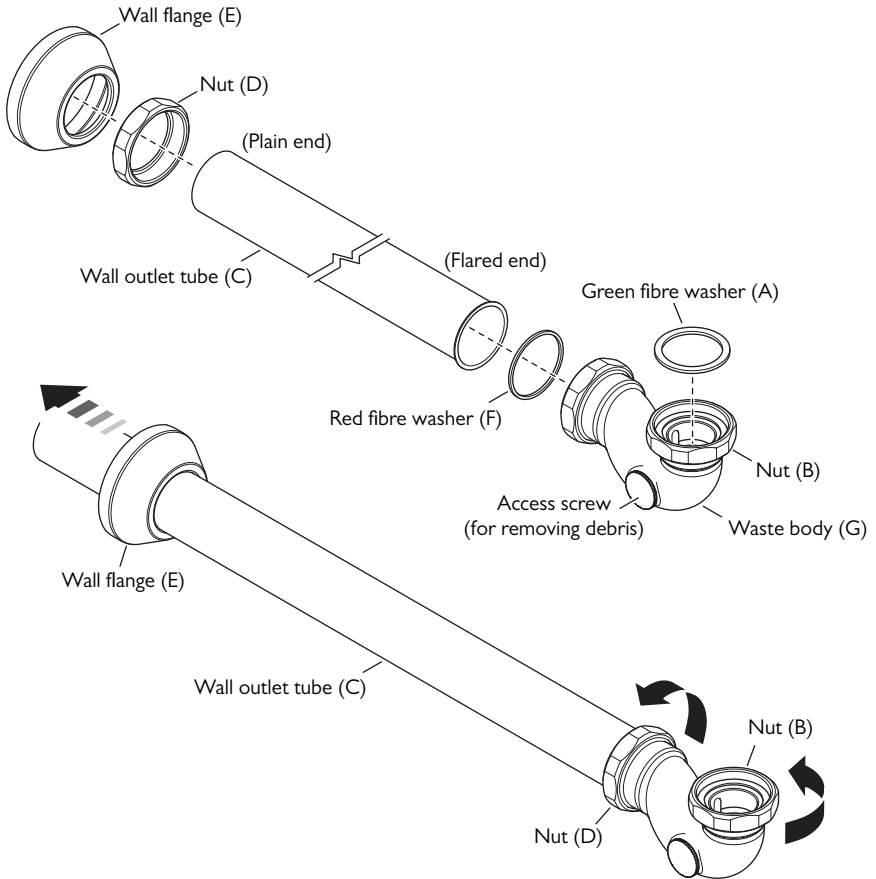
LB 1302 – Basin bottle trap



Also available LB 1303 – 500mm extension tube and flange for LB 1302

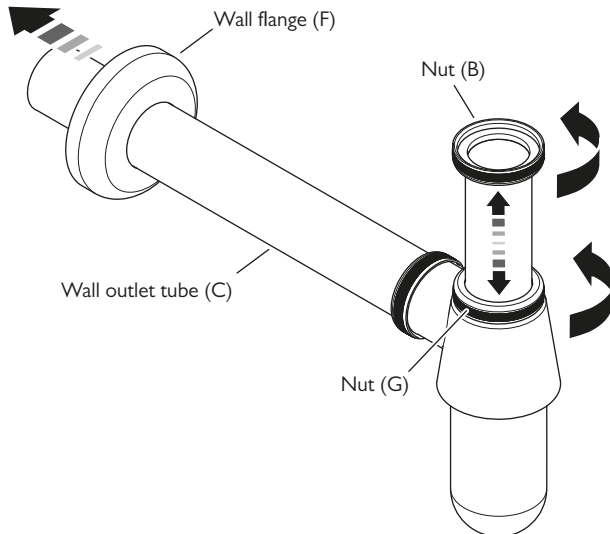
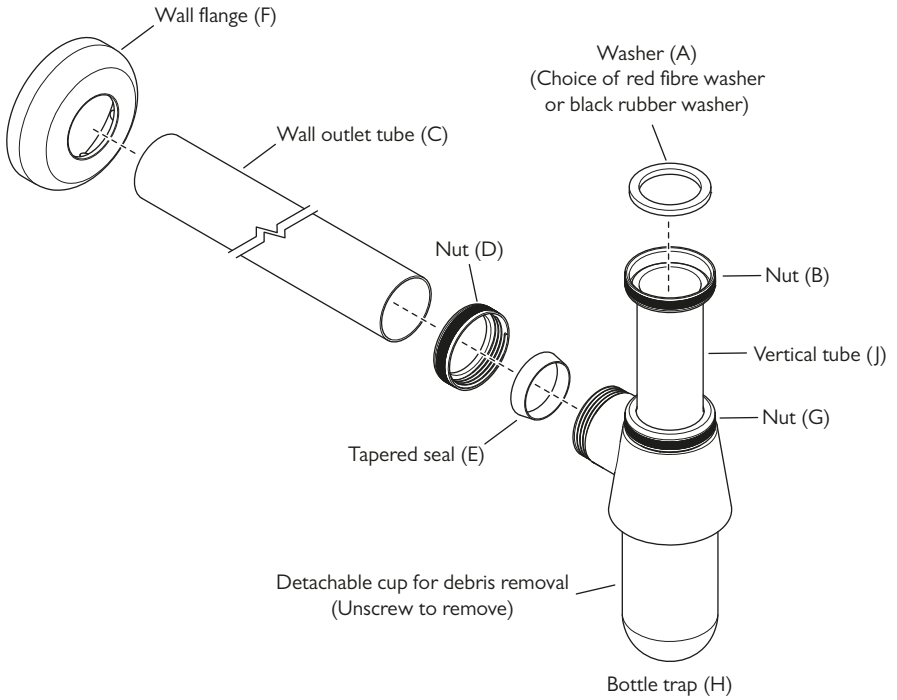
Not to scale

# INSTALLATION – LB 1301



- 1 Insert the green fibre washer 'A' into nut 'B'.
- 2 Secure the waste body to the bottom of the waste, tightening nut 'B'.
- 3 Cut the wall outlet tube 'C' to required length (cut excess from plain end).
- 4 Locate nut 'D' onto the plain end of the wall outlet tube 'C'. The internal threads should face the tube. Slide the nut along to the flared end.
- 5 Slide the wall flange 'E' on to the wall outlet tube 'C'.
- 6 Locate the plain end of the wall outlet tube 'C' into connection of mains waste pipework.
- 7 Fit the red fibre washer 'F' between the flared end of the wall outlet tube 'C' and waste body 'G'.
- 8 Tighten nut 'D' to make a water tight joint.
- 9 Tighten connection to mains waste pipework.
- 10 Test all joints after completing installation.
- 11 Slide the wall flange 'E' along the wall outlet tube 'C' to meet the wall (use clear sealant if necessary).

# INSTALLATION – LB 1302



- 1 Choose which washer (A) to use - the red fibre washer or the black rubber washer. Insert the washer between flared end of tube and bottom of waste.
- 2 Secure the bottle trap to the bottom of the waste by tightening nut (B).
- 3 Cut the wall outlet tube to required length.
- 4 Slide nut (D) and tapered seal (E) on to the wall outlet tube.
- 5 Slide wall flange (F) on to the wall outlet tube.
- 6 Locate the wall outlet tube into connection for mains waste pipework and in to the bottle trap outlet.
- 7 Adjust the height of bottle trap/vertical tube by unscrewing and loosening nut (G). Tighten nut (G) when the required height is achieved to make a water tight joint.
- 8 Slide tapered seal (E) along the wall outlet tube (C) in to the bottle trap body. Tighten nut (D) on to the bottle trap body to make a water tight joint.
- 9 Tighten connection to mains waste pipework.
- 10 Test all joints after completing installation.
- 11 Slide wall flange to meet wall (use clear sealant if necessary).



CONTRACT ENQUIRIES

+44 (0)1992 708 316

[info@lefroybrooks.co.uk](mailto:info@lefroybrooks.co.uk)

CUSTOMER SERVICE, SPARES & TECHNICAL ENQUIRIES

+44 (0)1902 390 894

[technical@lefroybrooks.co.uk](mailto:technical@lefroybrooks.co.uk)

LEFROYBROOKS.CO.UK

---

Whilst every effort is made to ensure the accuracy of these, they are subject to change without notice as part of the company's product development process. The use of trademarks, product design and artwork is subject to licence or agreement with LBIP Ltd. The design registrations, trademark registrations and copyrights are protected by law and the use or reproduction outside the terms of an agreement is prohibited. The right to modify designs and dimensions is reserved. LBIP Ltd is a member of ACID (Anti Copying in Design). E&OE