



**LEFROY BROOKS**

IBROC HOUSE ESSEX ROAD  
HODDESDON HERTS EN11 0QS UK  
T: +44 (0)1992 708 316 F: +44 (0)1992 708 317

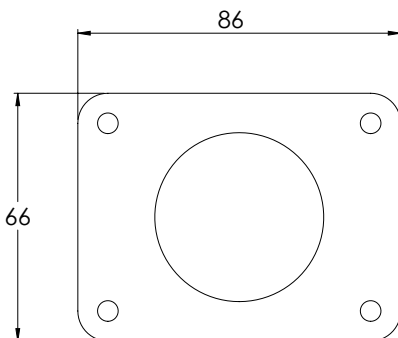
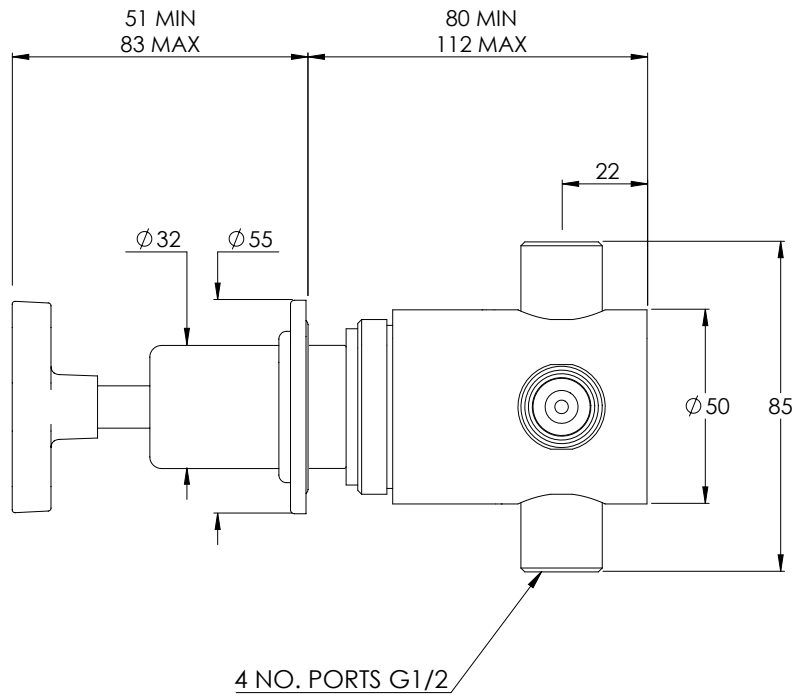
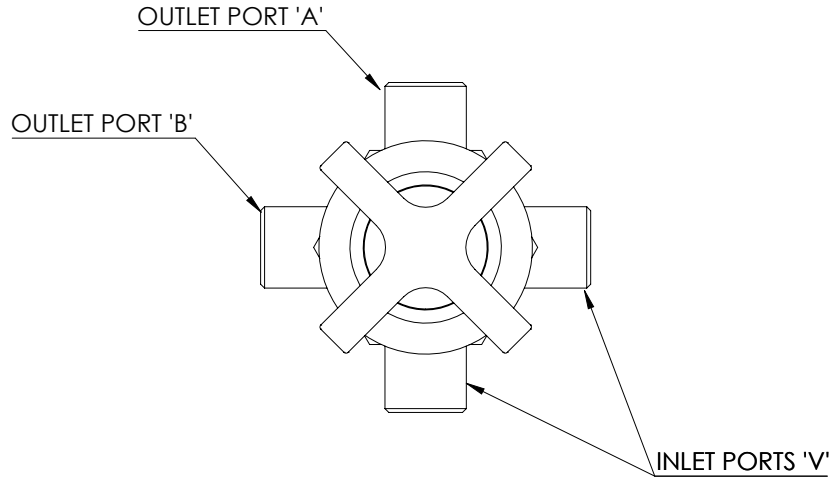
# JH1721

JANEY MAC WALL MOUNTED TWO-WAY DIVERTER

DIMENSIONAL DATA SHEET

DATE: 15/03/2024

REVISION: A



WALL MOUNTING PLATE  
(OPTIONAL)

DIMENSIONS IN MILLIMETRES

COPYRIGHT © LBIP LTD. ALL RIGHTS RESERVED