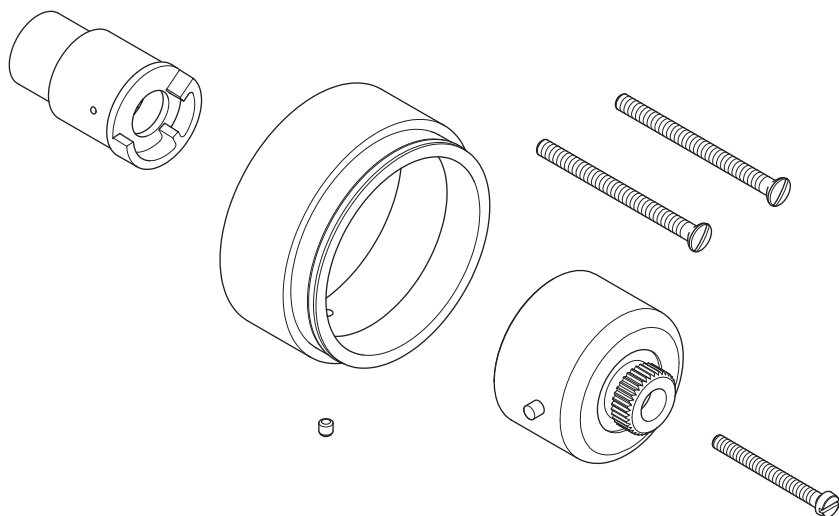


GD 8898
25MM EXTENSION KIT FOR 8800 MODELS
(BL & GD VERSIONS)
INSTALLATION GUIDE



LEFROY BROOKS

SUITABILITY

This extension kit is for use with Black lever (BL) and Godolphin (GD) models

IMPORTANT INFORMATION

Professional installation

We recommend that our products are fitted by a fully qualified professional plumber. They should be installed correctly and in accordance with all local water regulations. All products and connections should be accessible for routine servicing.

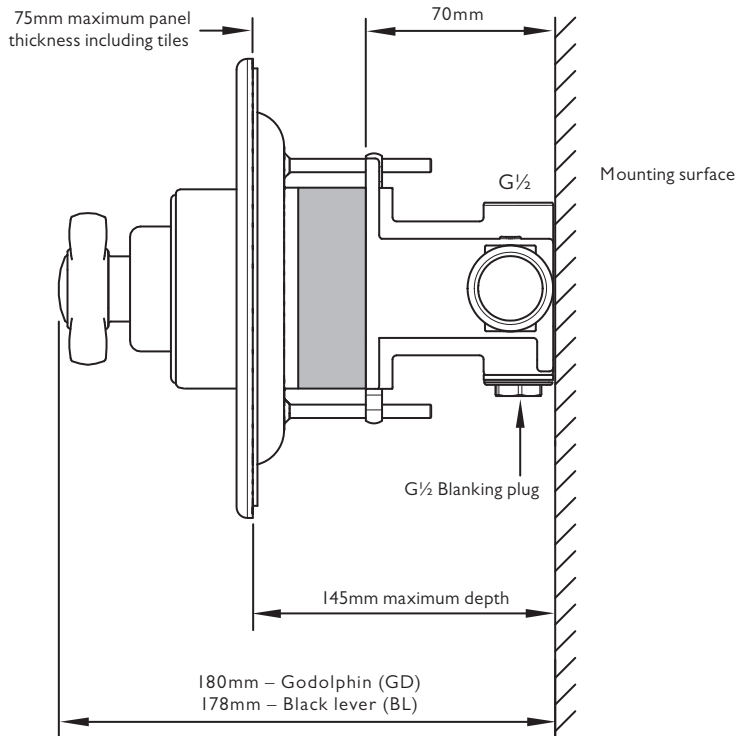
About this kit

The standard concealed shower valve is designed to allow up to a 50mm wall thickness, this extension kit will enable you to increase the wall thickness to a maximum of 75mm.

If you have a wall cavity deeper than 70mm to conceal the valve, we recommend the valve is secured to a wooden baton on the mounting wall to reduce the cavity depth (or fit this extension kit to extend the shower valve by 25mm).

DIMENSIONS OF 8800 MODEL WITH EXTENSION KIT FITTED

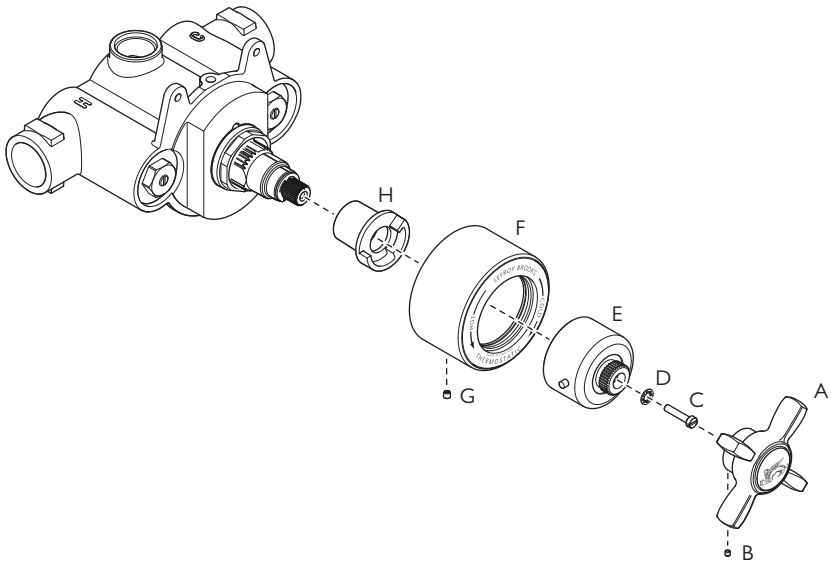
Extension kit indicated by shaded area. Shown with Godolphin (GD) model



Not to scale

PREPARATION

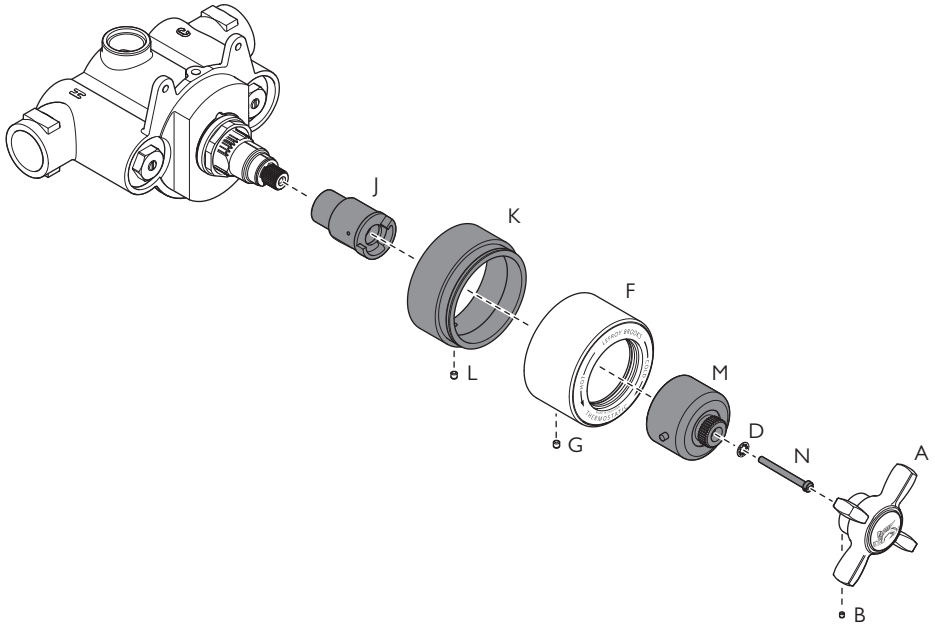
Exploded view of standard concealed valve. Shown with Godolphin (GD) model.



- 1 Unscrew and remove the face plate securing screws. Remove the face plate.
- 2 Remove the thermostatic control handwheel 'A' by unscrewing set screw 'B' using a 2mm hexagonal key.
- 3 Unscrew and remove screw 'C' and washer 'D'.
- 4 Pull the temperature override 'E' off the cartridge spline.
- 5 Remove the thermostatic cartridge cover 'F' by unscrewing set screw 'G' using a 1.5mm hexagonal key.
- 6 Remove the temperature stop 'H'.

INSTALLATION OF EXTENSION KIT

Exploded view of extended concealed valve. Shown with Godolphin (GD) model.



Extension kit components are shaded.

- 1 Confirm the 38°C temperature setting (refer to setting instructions in valve installation guide).
- 2 Locate the extended temperature stop 'J'.
- 3 Assemble the thermostatic cartridge cover 'F' to the cartridge cover extension 'K' using set screw 'G' and a 1.5mm hexagonal key. Locate and secure the assembly to the valve body using set screw 'L' and a 1.5mm hexagonal key.
- 4 Locate the extended override cover 'M' (refer to setting instructions in valve installation guide).
- 5 Secure the override cover using extended screw 'N' and washer 'D'.
- 6 Fit the face plate and secure using the face plate screws supplied in this kit.
- 7 Secure handwheel 'A' using set screw 'B' and a 2mm hexagonal key.



CUSTOMER SUPPORT

+44 (0)1992 708 316

LEFROYBROOKS.CO.UK

Whilst every effort is made to ensure the accuracy of these, they are subject to change without notice as part of the company's product development process. The use of trademarks, product design and artwork is subject to licence or agreement with LBIP Ltd. The design registrations, trademark registrations and copyrights are protected by law and the use or reproduction outside the terms of an agreement is prohibited. The right to modify designs and dimensions is reserved. LBIP Ltd is a member of ACID (Anti Copying in Design).