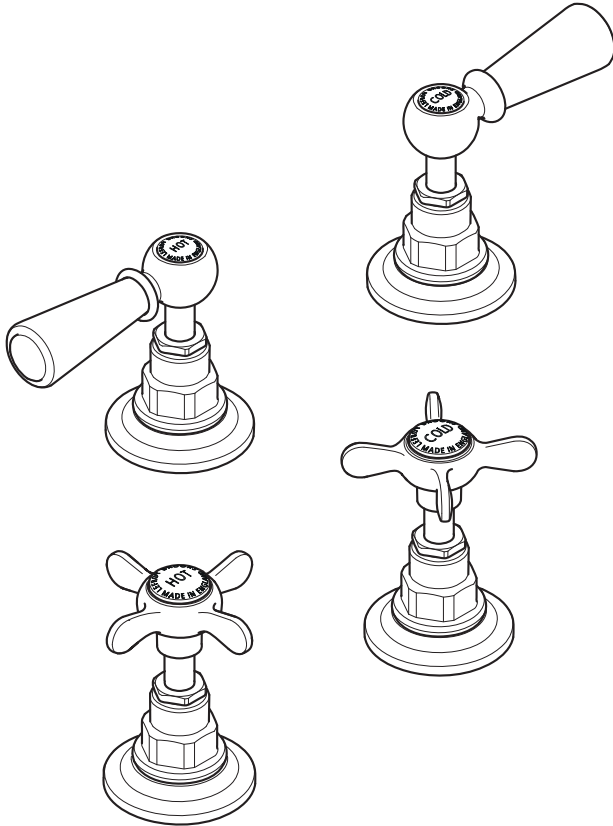


# DECK MOUNTED FLOW VALVES

## INSTALLATION GUIDE

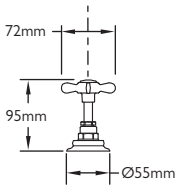
---



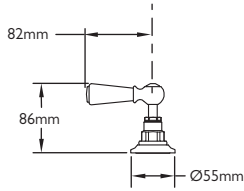
---

LEFROY BROOKS

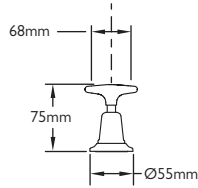
# DIMENSIONS



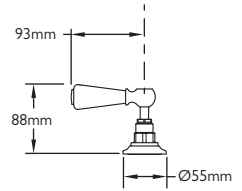
1900 Classic cross handle (LB)



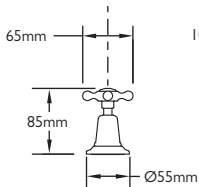
1900 Classic lever white ceramic (WL)



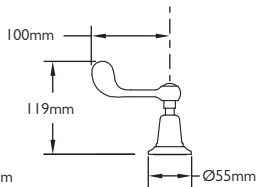
1900 Classic star handle (LS)



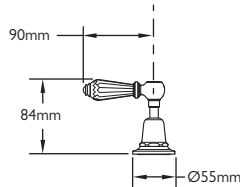
1900 Classic lever black ceramic (BL)



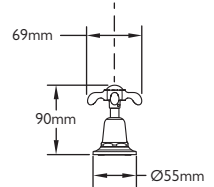
1900 Connaught cross handle (CH)



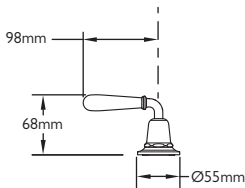
1900 Connaught lever (CL)



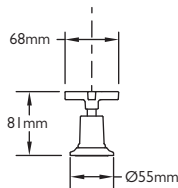
1910 Black crystal lever (CR)



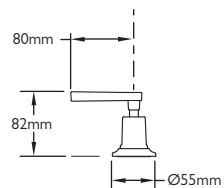
1910 La Chapelle cross handle (FH)



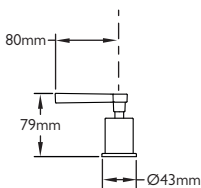
1910 La Chapelle lever black ceramic (FB),  
1910 La Chapelle lever white ceramic (FW)  
& 1910 La Chapelle lever metal (FM)



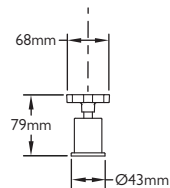
1930 Mackintosh cross handle (MH)



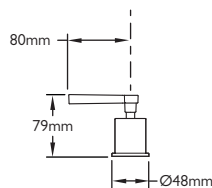
1930 Mackintosh lever (ML) &  
1930 Mackintosh Black lever (MB)



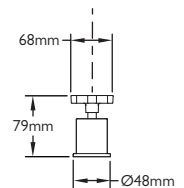
1935 Janey Mac lever (JL)  
for basins



1935 Janey Mac cross handle (JH) for basins



1935 Janey Mac lever (JL)  
for baths

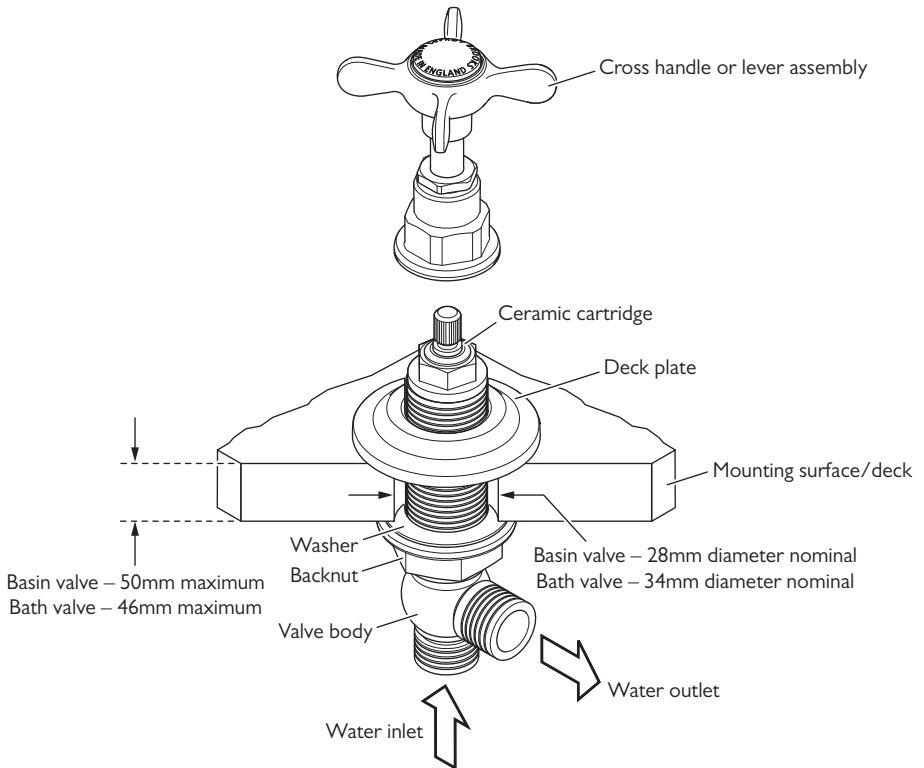


1935 Janey Mac cross handle (JH) for baths

Not to scale

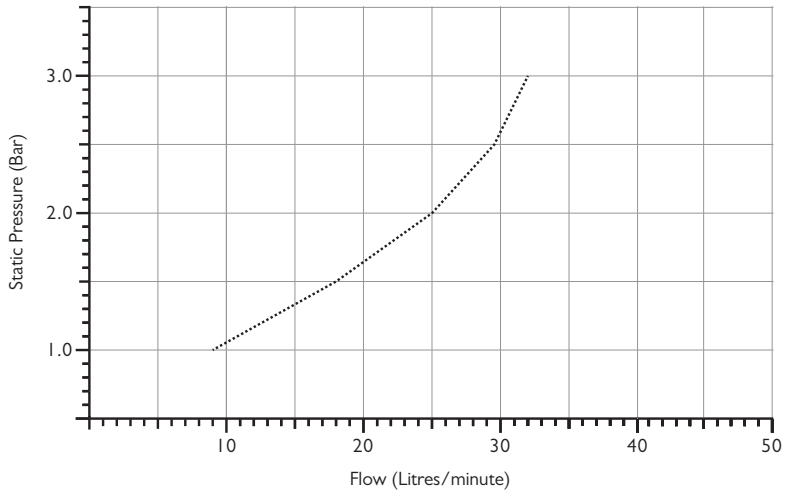
## DIMENSIONS AND IDENTIFICATION

Shown with cross handle. The dimensions shown also apply to lever models.

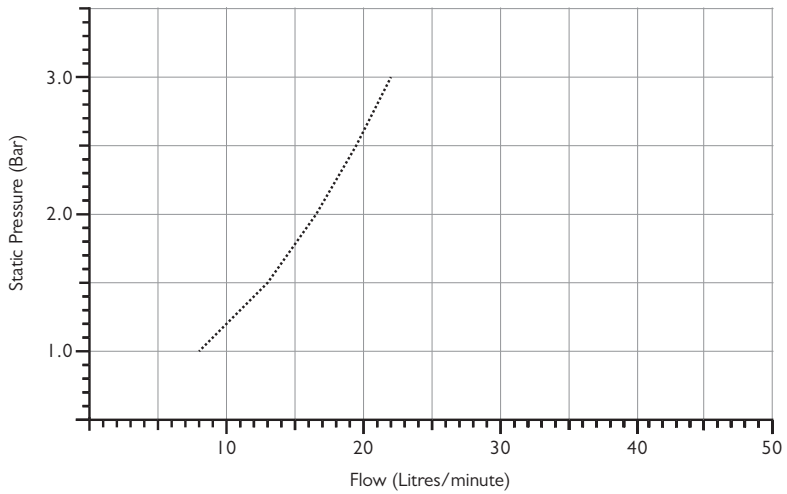


# TYPICAL FLOW RATES

## Bath valve



## Basin valve



Note: Balanced pressures shown are applied directly to the inlet of the valve; flow rates indicated are free flowing and may vary subject to restrictions created by installation, pipework, layout or application.

## IMPORTANT INFORMATION

### Professional installation

We recommend that our products are fitted by a fully qualified professional plumber. They should be installed correctly and in accordance with all local water regulations and the system protected by non-return valves (not supplied). All products should be accessible for routine servicing.

### Suits all systems

This Lefroy Brooks product is potentially suitable for every possible application, type of boiler and water supply pressure. However, if your supply pressure is below 1 bar it is advisable to fit a water pump. For systems with combination boilers, it is not advisable to fit pumps (refer to boiler manufacturer).

### Supply connections

The hot and cold water supplies should be connected using suitable ½" or ¾" connectors.

### Supply temperature safety notice

To comply with local building regulations, current legislation, relevant standards and codes of practice a thermostatic mixing valve (TMV) should be fitted (not supplied) to the hot supply. This will restrict the temperature to a safe working maximum temperature. Maximum allowed temperatures vary subject to type of installation or specification of building.

### Balancing flow

If there is a significant difference in water pressures between hot & cold supplies, we recommend an in-line flow suppressor/regulator (not supplied) be fitted. Where flexible hoses are fitted, this should be fitted to whichever has the greater flow rate, in an accessible position close to the valve. Do not fit the flow suppressor/regulator at the spout as this will increase the pressure in the flexible hoses.

### Water quality

In hard water areas, a suitable water treatment system should be provided to prevent limescale deposits (calcium deposits) which may effect the long term performance of the ceramic cartridges. Exterior surfaces should be gently wiped with a dry soft cloth after use to minimise water stains and limescale deposits.

### Flushing system

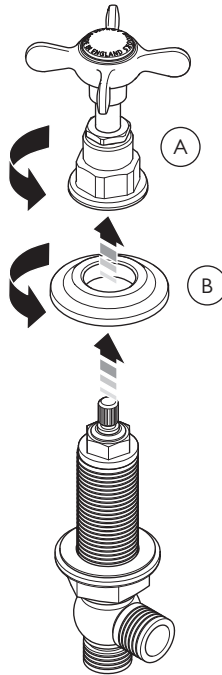
It is most important to flush out all pipework thoroughly before connecting the product. Failure to do so is the single most common cause of ceramic cartridge failure.

### Servicing

All serviceable parts are available to maintain your Lefroy Brooks product.

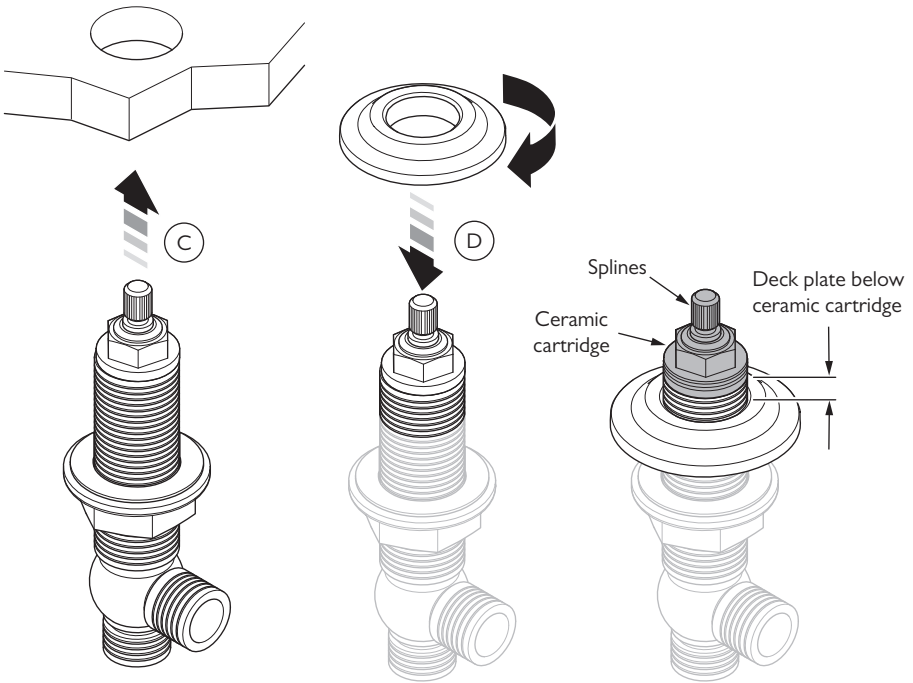
## FLOW VALVE INSTALLATION

Shown with cross handle. The same procedure also applies to lever models.



- Before continuing please be aware that on lever models it is important to keep the flow valve bodies and lever assemblies together as supplied. Do not swap the lever assemblies from hot and cold valves.
- 1 Where necessary drill  $\text{Ø}28\text{--}30\text{mm}$  holes in the mounting surface for basin flow valves or  $\text{Ø}34\text{--}36\text{mm}$  holes for bath flow valves.
  - 2 Support the flow valve body then unscrew and remove the cross handle/lever assembly (A) from the valve body.
  - 3 Unscrew and remove the deck plate (B). Do not remove the backnut and washer.

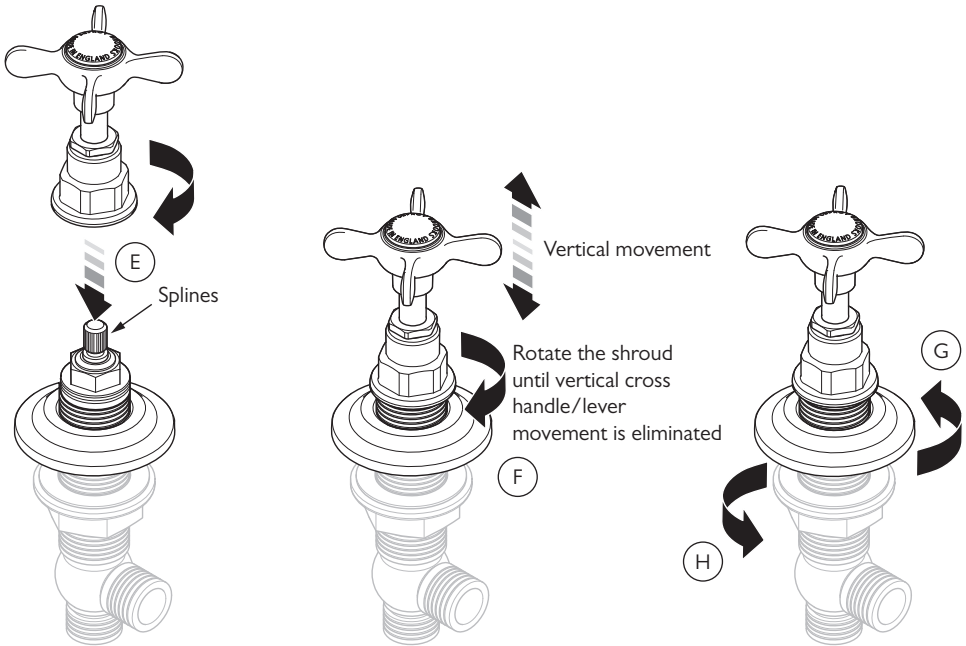
## FLOW VALVE INSTALLATION



- 4 Locate the flow valve through the hole in the mounting surface (C).
- 5 Screw the deck plate onto the top of the flow valve, beyond the level of the ceramic cartridge (D).
- 6 On cross handle models rotate the splines on top of the ceramic cartridges so that they are in the fully clockwise position. On lever models rotate the splines on top of the 'hot' ceramic cartridge so that they are in the fully clockwise position and the splines on top of the 'cold' ceramic cartridge so that they are in the fully counter clockwise position. The cross handle/levers can be loosely located to achieve this.
- 7 Rotate the flow valve body so that the side outlet port is facing the required direction for connection.

## FLOW VALVE INSTALLATION

Shown with cross handles. The same procedure applies to lever models.

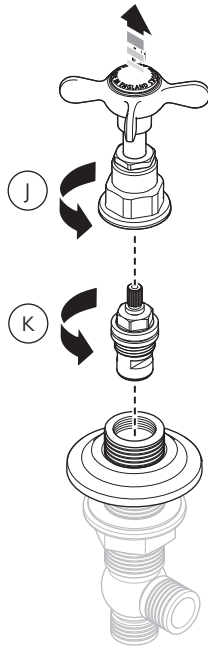


- 8 With the cross handle/lever 'hot/H' or 'cold/C' text aligned, locate the cross handle/lever assembly onto the splines of the cartridge (E). Rotate the shroud of the cross handle/lever assembly until vertical movement of the cross handle/lever is eliminated (F). DO NOT tighten the cross handle/lever assembly in place as this may damage the ceramic cartridge and will make operation of the cross handle/lever feel stiff. The aim is to simply rotate the cross handle/lever assembly shroud until the cross handle/lever no longer has any vertical/up and down movement.
- 9 Rotate the deck plate to meet the cross handle/lever assembly, leaving no gap between them (G).
- 10 Ensure that the cross handle/lever alignment is as required before securing the flow valve in place. The flow valve can be rotated to correct any small alignment issues. Tighten the backnut to secure the flow valve in place (H).



## SERVICING – CARTRIDGE REPLACEMENT

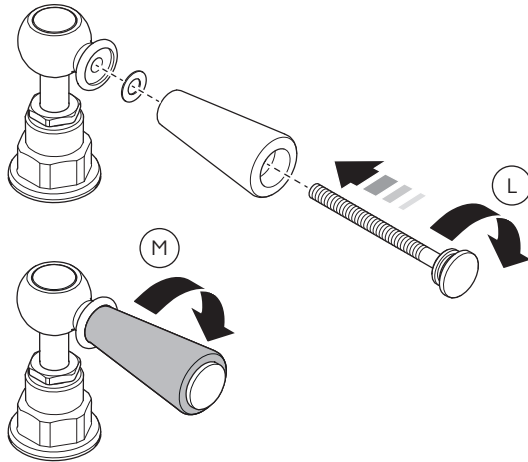
Shown with cross handle. The same procedure applies to lever models.



Before continuing please ensure that the water supplies have been isolated and drained where necessary.

- I To remove the ceramic cartridge, unscrew and remove the cross handle/lever assembly (J).
- 2 Support the flow valve body. Unscrew and remove the ceramic cartridge using a 17mm spanner (K).
- 3 Assemble in the reverse order.
- 4 Refer to steps 8–10 in the 'flow valve installation' section to ensure the cross handle/lever assembly is installed correctly.

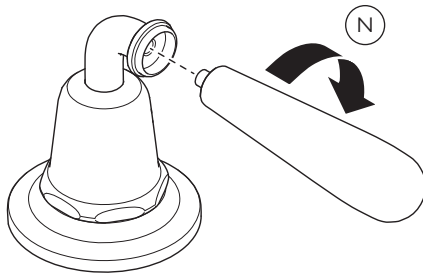
## SERVICING – REPLACING THE LEVER CERAMIC/CRYSTAL HANDLE ON BL, WL & CR MODELS



- 1 Push the threaded screw through the centre of the replacement ceramic handle.
- 2 Locate the end of the threaded screw into the hole in the lever body. Tighten the screw by hand (L).
- 3 To secure, grip the ceramic handle and rotate it in a clockwise direction (M).

---

## SERVICING – REPLACING THE LEVER CERAMIC ON FB, FM & FW MODELS



- 1 Unscrew the ceramic from the lever.
- 2 Fit the replacement lever by screwing into the lever body (N).

## FAULT FINDING

The hot/cold flow valves are turned off but the spout drips continuously.

- Replace the ceramic cartridge(s). See below for spare part numbers and the 'servicing – cartridge replacement' section.

The cross handle/lever feels loose and has vertical/up and down movement.

- Reset the cross handle/lever assembly (refer to steps 8 to 10 in the 'flow valve installation' section).

The cross handle/lever operation feels tight/stiff.

- Reset the cross handle/lever assembly (refer to steps 8 to 10 in the 'flow valve installation' section).

---

## REPLACEMENT PARTS

**Basin flow valve cartridges.**

PHL034 – Pair of ½" x ½ turn ceramic cartridges for cross handles (clockwise closing).

PHL035 – Pair of ½" x ¼ turn ceramic cartridges for levers (one clockwise closing (left side) and one counter clockwise closing (right side)).

**Bath flow valve cartridges.**

PHL037 – Pair of ¾" x ½ turn ceramic cartridges for cross handles (clockwise closing).

PHL036 – Pair of ¾" x ¼ turn ceramic cartridges for levers (one clockwise closing (left side) and one counter clockwise closing (right side)).

**Lever parts.**

PHL016 – (WL) White lever ceramic only.

PHL020 – (BL) Black lever ceramic only.

PHL066 – (WL & BL) Lever threaded screw and end cap.

PHL009 – (LB) Pair of Classic cross handles 'hot' and 'cold' ceramic indices.

PHL015 – (WL & CL) Pair of White Lever and Connaught Lever 'hot' and 'cold' ceramic indices.

PHL027 – (CH) Pair of Connaught cross handles 'hot' and 'cold' ceramic indices.

PHL095 – (CR) Black crystal lever, crystal only.

PHL114 – (CR) Crystal lever threaded screw and end cap.

PHL122 – (FB) La Chapelle lever, black ceramic and shaft.

PHL123 – (FW) La Chapelle lever, white ceramic and shaft.

PHL124 – (FM) La Chapelle lever, metal ceramic and shaft.



CONTRACT ENQUIRIES

+44 (0)1992 708 316

[info@lefroybrooks.co.uk](mailto:info@lefroybrooks.co.uk)

CUSTOMER SERVICE, SPARES & TECHNICAL ENQUIRIES

+44 (0)1902 390 894

[technical@lefroybrooks.co.uk](mailto:technical@lefroybrooks.co.uk)

LEFROYBROOKS.CO.UK

---

Whilst every effort is made to ensure the accuracy of these, they are subject to change without notice as part of the company's product development process. The use of trademarks, product design and artwork is subject to licence or agreement with LBIP Ltd. The design registrations, trademark registrations and copyrights are protected by law and the use or reproduction outside the terms of an agreement is prohibited. The right to modify designs and dimensions is reserved. LBIP Ltd is a member of ACID (Anti Copying in Design). E&OE