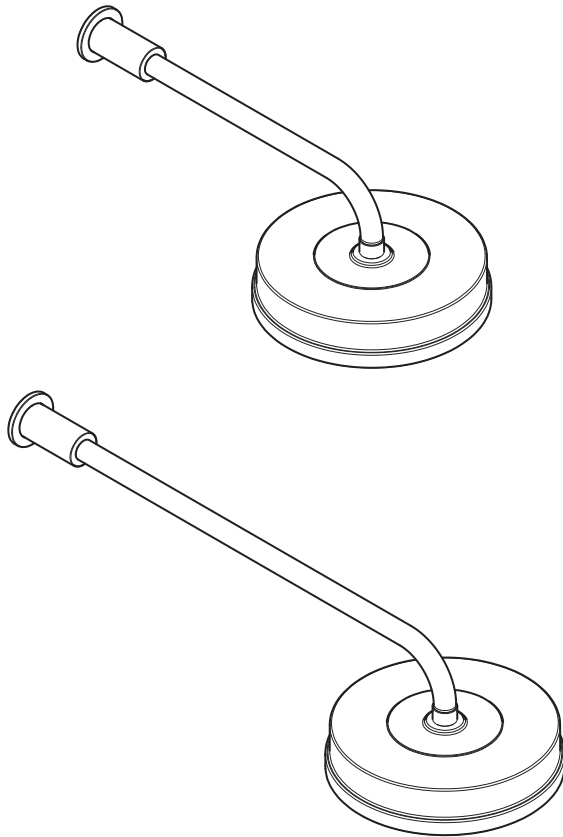


# MODERN SHOWER ROSE AND ARM

## INSTALLATION GUIDE

---



---

LEFROY BROOKS



## IMPORTANT INFORMATION

### **Professional installation**

We recommend that our products are fitted by a fully qualified professional plumber. They should be installed correctly and in accordance with all local water regulations and the system protected by non-return valves (not supplied). All products and connections should be accessible for routine servicing.

### **Suits all systems**

This Lefroy Brooks product is potentially suitable for every possible application, type of boiler and water supply pressure. However if the supply pressure is below 1 bar it is advisable to fit a water pump. For systems with combination boilers, it is not advisable to fit pumps (refer to boiler manufacturer).

### **Supply temperature safety notice**

*Apron rose and arm supplied from the mains hot and cold water supply.*

A thermostatic mixing valve (TMV) should be fitted (not supplied) to the hot supply to restrict the temperature to a safe working / maximum temperature to comply with local building regulations, current legislation, relevant standards and codes of practice. Maximum allowed temperatures vary subject to type of installation or specification of building.

*Apron rose and arm supplied from a thermostatic shower control.*

If the hot water supply to the thermostatic shower is 60°C or below there is no need to fit a thermostatic mixing valve (TMV)

### **Flushing system**

It is most important to flush out all pipework thoroughly before connecting the product.

### **Supply connections**

Lefroy Brooks do not supply any pipework or connections for shower roses and arms as they can be installed in a variety of configurations subject to each customer's installation, design or requirements.

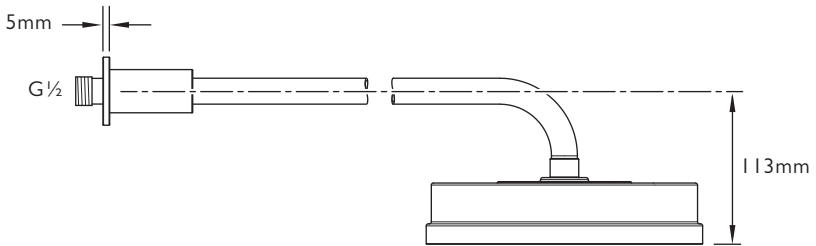
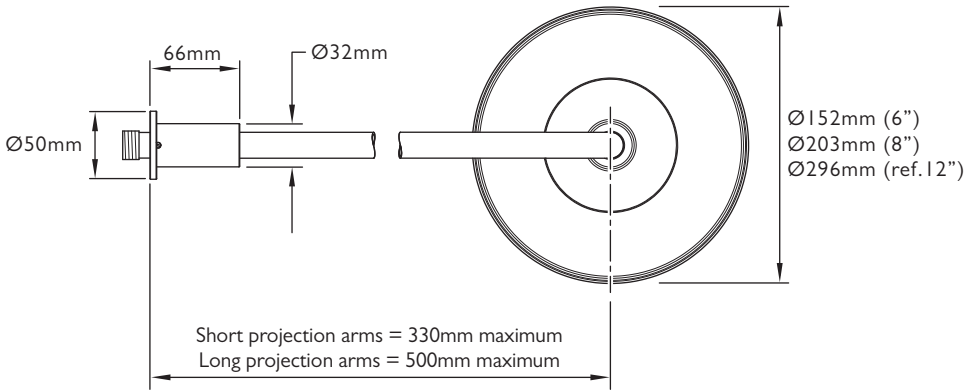
### **Water quality**

In hard water areas, a suitable water treatment system should be provided to prevent limescale deposits (calcium deposits) which may effect the long term performance of the shower rose. Exterior surfaces should be gently wiped with a dry soft cloth after use to minimise water stains and limescale deposits.

### **Servicing**

All serviceable parts are available to maintain your Lefroy Brooks product.

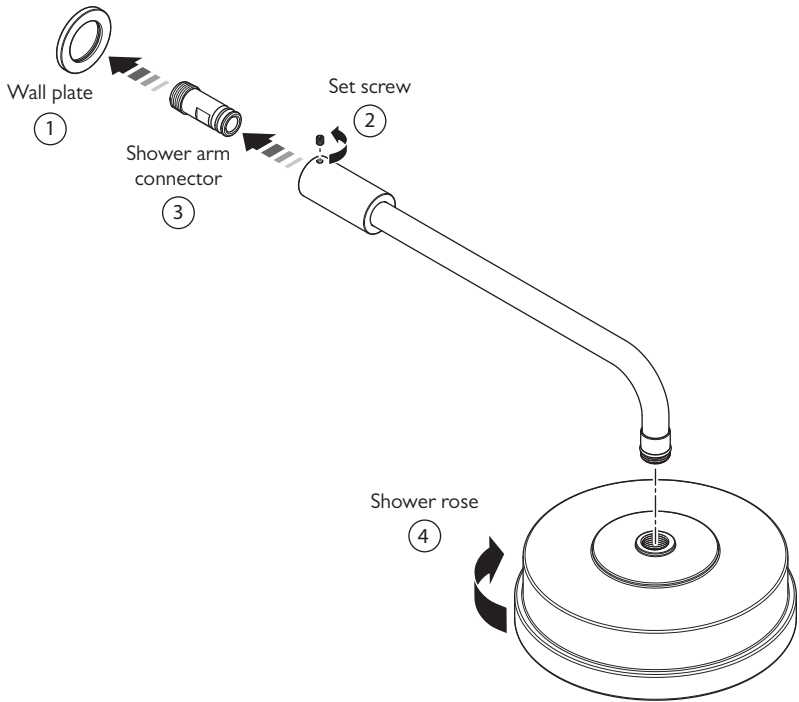
# DIMENSIONS



Not to scale

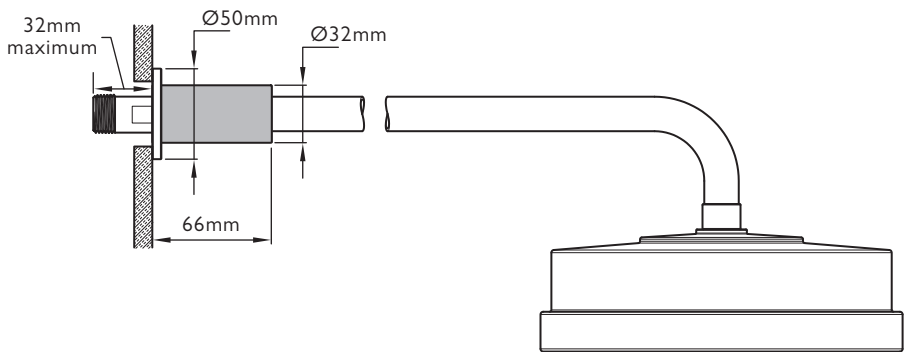
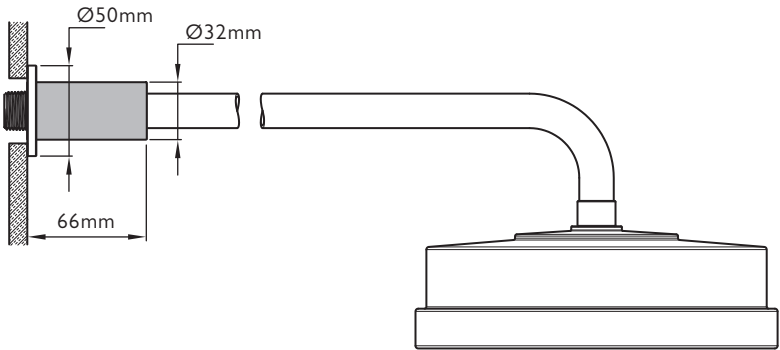
# INSTALLATION

Shower arm connector to be securely fitted into the mounting surface



To aid installation and prevent damage, the shower rose and arm can be disassembled as below.

- 1 Gently slide the wall plate from the shower arm.
- 2 Unscrew and remove the set screw. Ensure that the set screw is removed completely to avoid damage to the 'o' rings on the shower arm connector.
- 3 Pull the shower arm connector from the shower arm.
- 4 Unscrew and remove the shower rose.



5 The shower arm connector can be adjusted within the wall opening as shown above.





CONTRACT ENQUIRIES

+44 (0)1992 708 316

[info@lefroybrooks.co.uk](mailto:info@lefroybrooks.co.uk)

CUSTOMER SERVICE, SPARES & TECHNICAL ENQUIRIES

+44 (0)1902 390 894

[technical@lefroybrooks.co.uk](mailto:technical@lefroybrooks.co.uk)

LEFROYBROOKS.CO.UK

---

Whilst every effort is made to ensure the accuracy of these, they are subject to change without notice as part of the company's product development process. The use of trademarks, product design and artwork is subject to licence or agreement with LBIP Ltd. The design registrations, trademark registrations and copyrights are protected by law and the use or reproduction outside the terms of an agreement is prohibited. The right to modify designs and dimensions is reserved. LBIP Ltd is a member of ACID (Anti Copying in Design). E&OE