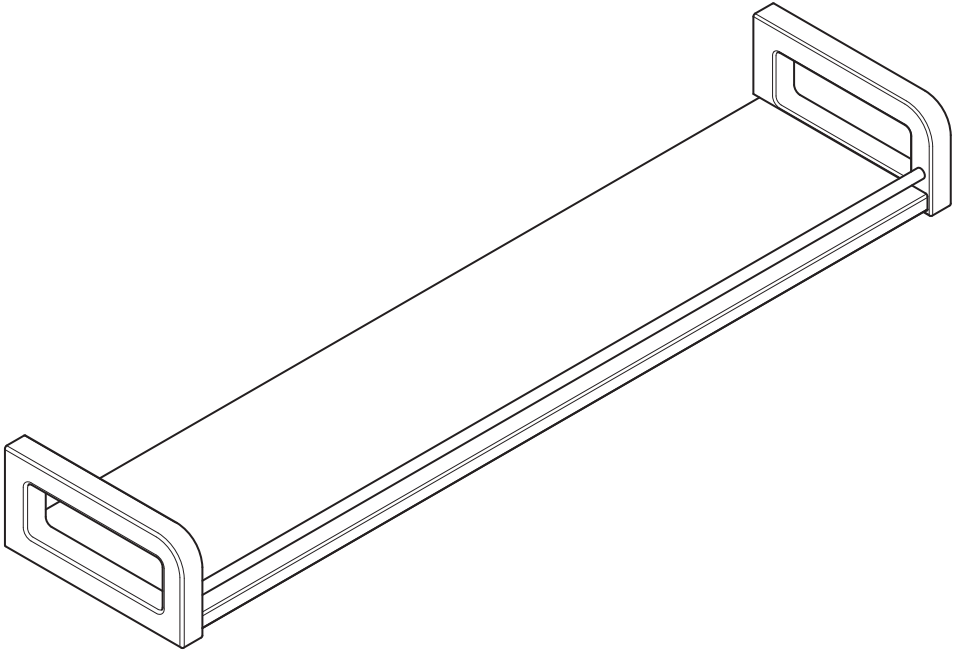
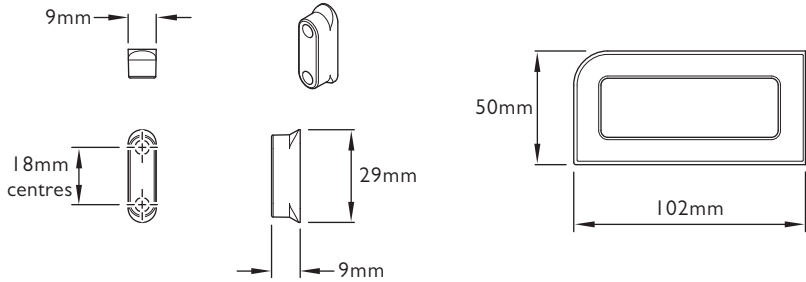
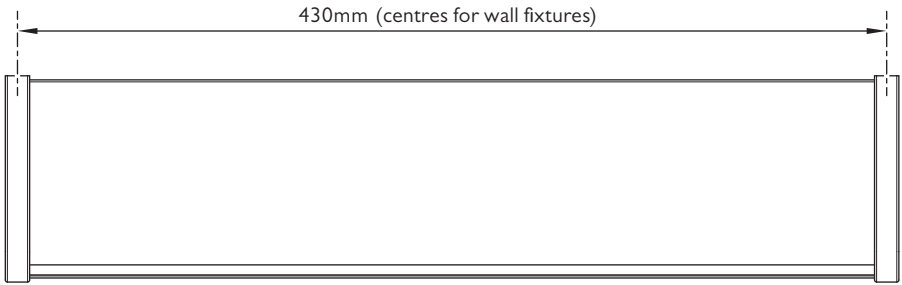
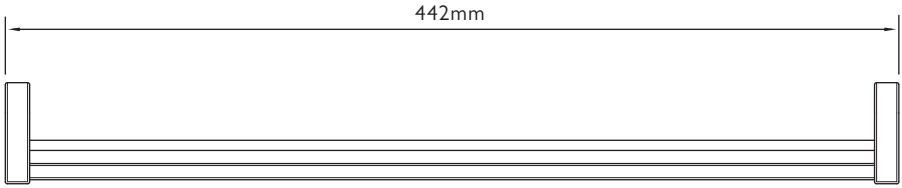


DP 4611
FIFTH GLASS SHELF
INSTALLATION GUIDE



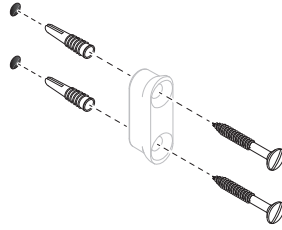
LEFROY BROOKS

DIMENSIONS

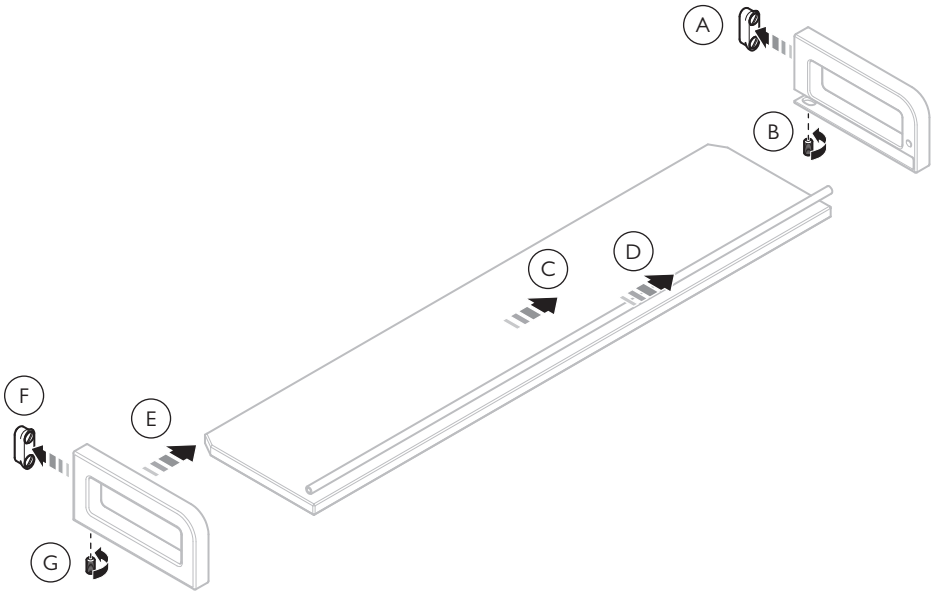


Not to scale

INSTALLATION



- 1 Mark the hole positions for the wall fixtures on the mounting surface. Use a spirit level to ensure the holes are vertically aligned and level.
- 2 Drill holes using a $\varnothing 6\text{mm}$ drill bit.
- 3 Insert the wall plugs into the holes then secure the wall fixtures using the screws supplied.



Shown with right hand bracket secured in place first

- 4 Locate one of the side brackets onto the appropriate wall fixture (A).
- 5 A hexagonal socket set screw is located in the underside of the side bracket. Secure the side bracket using the hexagonal key (supplied) (B).
- 6 Insert the glass shelf into the mounted side bracket (C).
- 7 Locate the front support rod into the mounted side bracket (D).
- 8 Locate the remaining side bracket onto the front support rod and glass shelf (E).
- 9 Locate the side bracket onto the wall fixture (F).
- 10 Secure the side bracket in place using the hexagonal key (supplied) (G).



CONTRACT ENQUIRIES

+44 (0)1992 708 316

info@lefroybrooks.co.uk

CUSTOMER SERVICE, SPARES & TECHNICAL ENQUIRIES

+44 (0)1902 390 894

technical@lefroybrooks.co.uk

LEFROYBROOKS.CO.UK

Whilst every effort is made to ensure the accuracy of these, they are subject to change without notice as part of the company's product development process. The use of trademarks, product design and artwork is subject to licence or agreement with LBIP Ltd. The design registrations, trademark registrations and copyrights are protected by law and the use or reproduction outside the terms of an agreement is prohibited. The right to modify designs and dimensions is reserved. LBIP Ltd is a member of ACID (Anti Copying in Design). E&OE