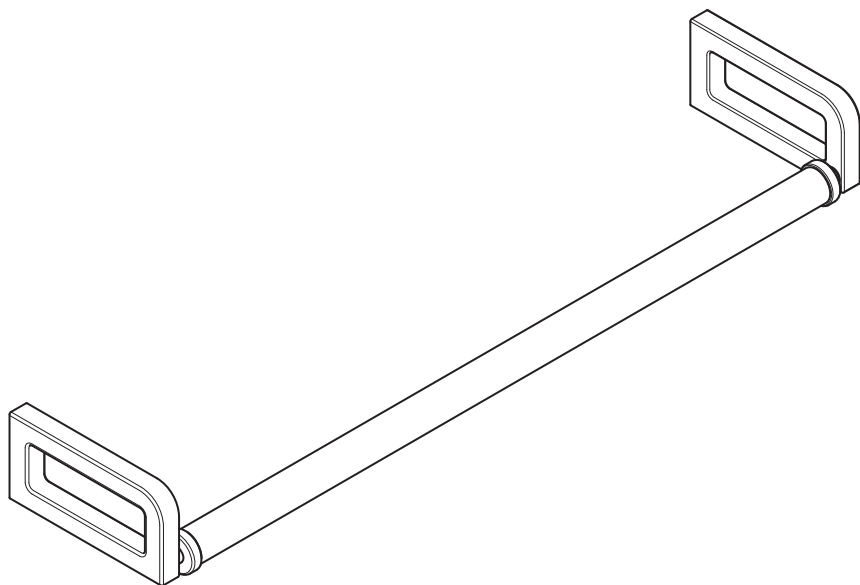
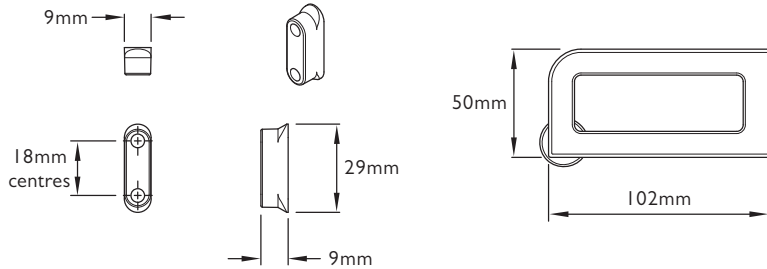
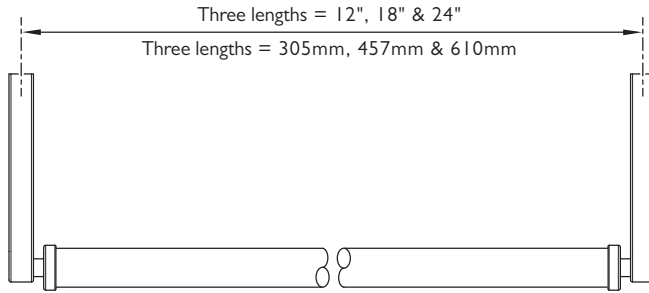
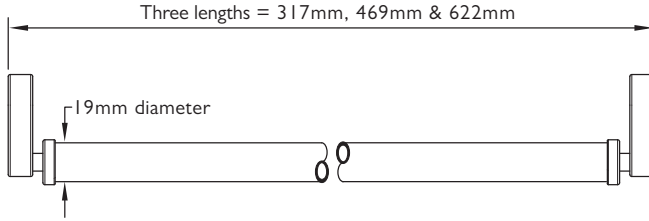


DP 4607 (12") / DP 4608 (18") / DP 4609 (24")
FIFTH TOWEL RAIL
INSTALLATION GUIDE



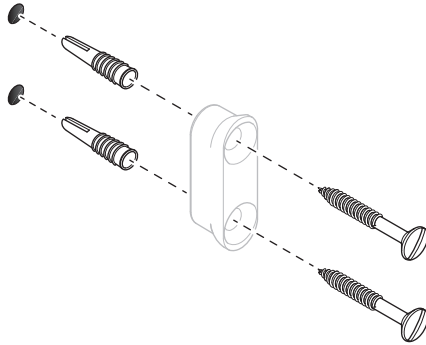
LEFROY BROOKS

DIMENSIONS



Not to scale

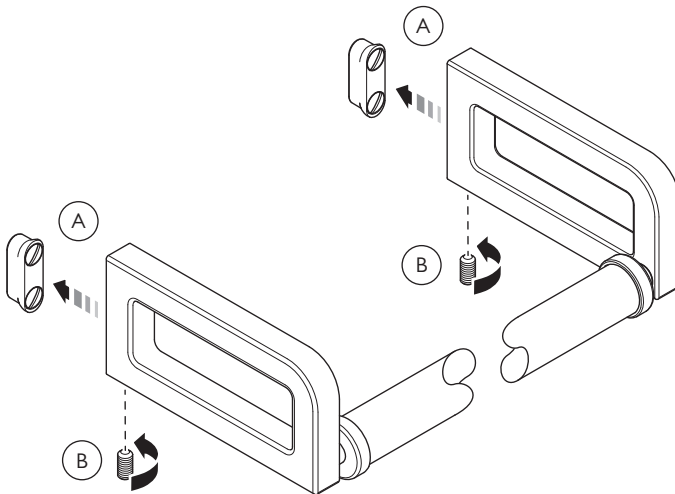
INSTALLATION



1 Mark the hole positions for the wall fixtures on the mounting surface. Use a spirit level to ensure the holes are vertically aligned and level.

2 Drill holes using a $\text{Ø}6\text{mm}$ drill bit.

3 Insert the wall plugs into the holes then secure the wall fixtures using the screws supplied.



4 Locate the towel bar onto the wall fixtures (A).

5 Hexagonal socket set screws are located in the underside of the towel rail. Secure the towel rail using the hexagonal key (supplied) (B).



CONTRACT ENQUIRIES

+44 (0)1992 708 316

info@lefroybrooks.co.uk

CUSTOMER SERVICE, SPARES & TECHNICAL ENQUIRIES

+44 (0)1902 390 894

technical@lefroybrooks.co.uk

LEFROYBROOKS.CO.UK

Whilst every effort is made to ensure the accuracy of these, they are subject to change without notice as part of the company's product development process. The use of trademarks, product design and artwork is subject to licence or agreement with LBIP Ltd. The design registrations, trademark registrations and copyrights are protected by law and the use or reproduction outside the terms of an agreement is prohibited. The right to modify designs and dimensions is reserved. LBIP Ltd is a member of ACID (Anti Copying in Design). E&OE