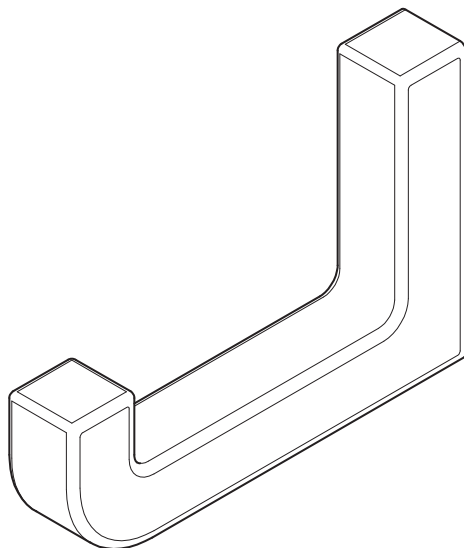
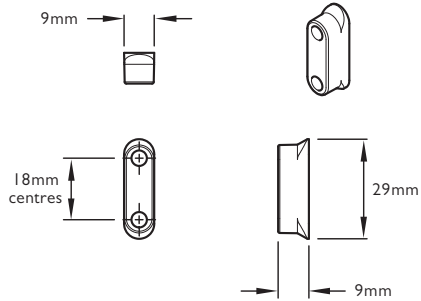
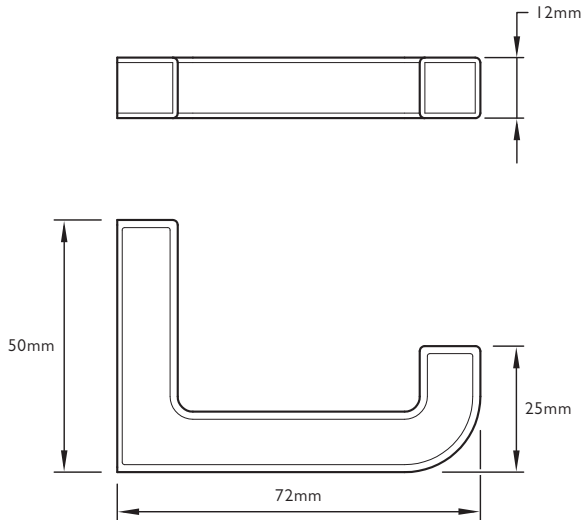


DP 4605
FIFTH HOOK
INSTALLATION GUIDE



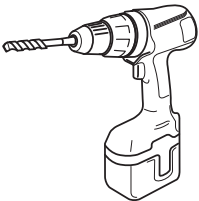
LEFROY BROOKS

DIMENSIONS

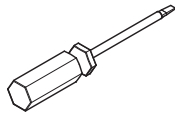


Not to scale

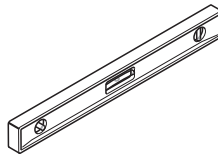
TOOLS REQUIRED



Powered drill with
Ø6mm drill bit



Flat blade screwdriver

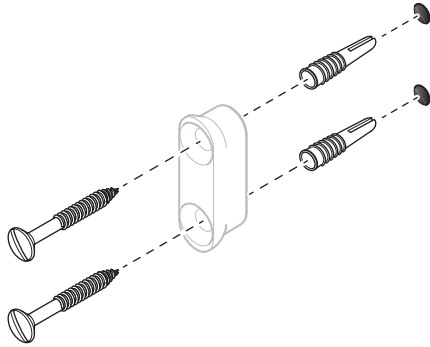


Spirit level

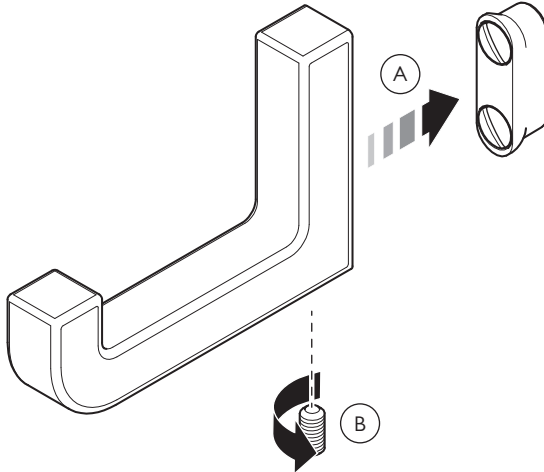


Hexagonal Key

INSTALLATION



- 1 Mark the hole positions for the wall fixture on the mounting surface. Use a spirit level to ensure the holes are vertically aligned.
- 2 Drill holes using a $\varnothing 6\text{mm}$ drill bit.
- 3 Insert the wall plugs into the holes then secure the wall fixture using the screws supplied.



- 4 Locate the hook onto the wall fixture (A).
- 5 A hexagonal socket set screw is located in the underside of the hook. Secure the hook using the hexagonal key (supplied) (B).



CUSTOMER SUPPORT

+44 (0)1992 708 316

LEFROYBROOKS.CO.UK

Whilst every effort is made to ensure the accuracy of these, they are subject to change without notice as part of the company's product development process. The use of trademarks, product design and artwork is subject to licence or agreement with LBIP Ltd. The design registrations, trademark registrations and copyrights are protected by law and the use or reproduction outside the terms of an agreement is prohibited. The right to modify designs and dimensions is reserved. LBIP Ltd is a member of ACID (Anti Copying in Design).