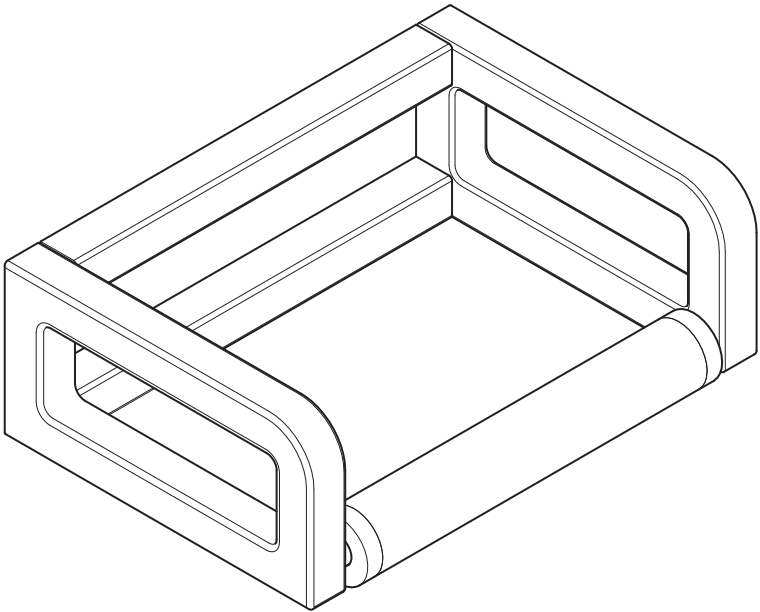


DP 4600  
FIFTH PAPER HOLDER  
INSTALLATION GUIDE

---

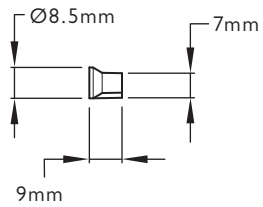
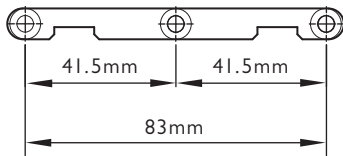
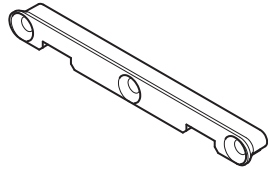
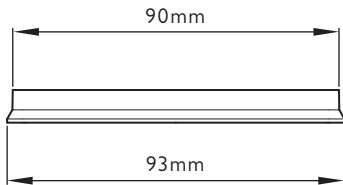
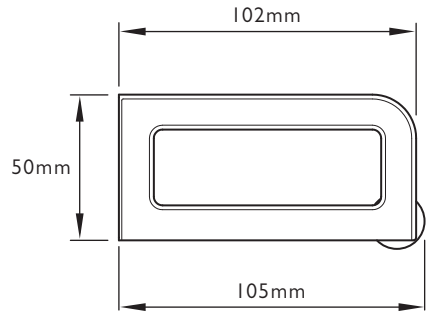
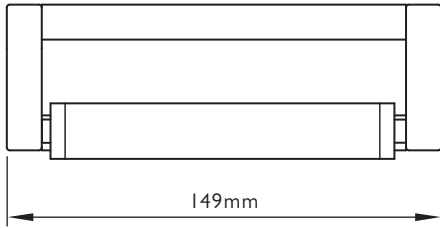


---

LEFROY BROOKS

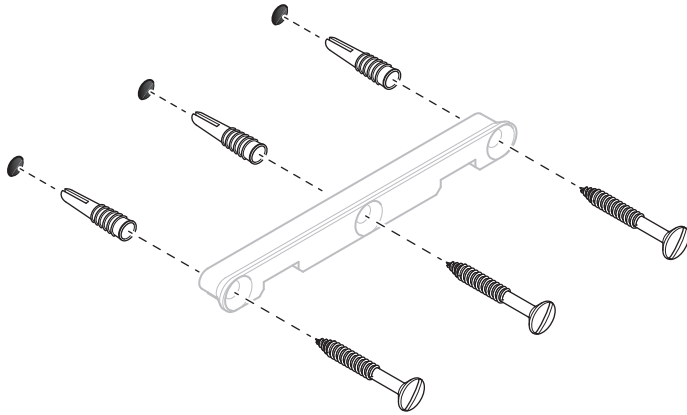


# DIMENSIONS



Not to scale

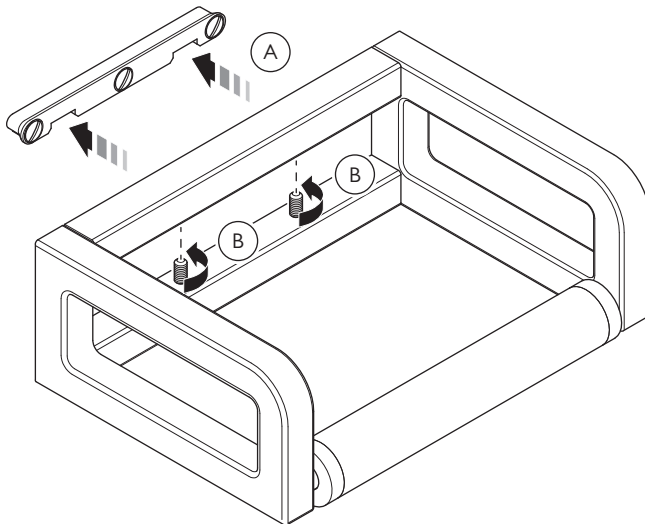
## INSTALLATION



1 Mark the hole positions for the wall fixture on the mounting surface. Use a spirit level to ensure the holes are level.

2 Drill holes using a  $\varnothing 6\text{mm}$  drill bit.

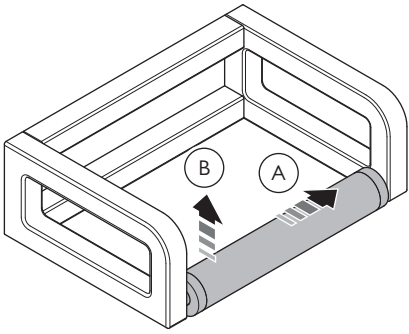
3 Insert the wall plugs into the holes then secure the wall fixture using the screws supplied.



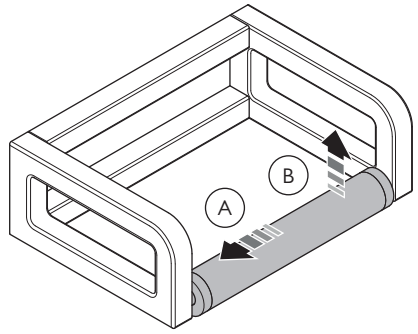
4 Locate the paper holder onto the wall fixture (A).

5 The upper rear section has two hexagonal socket set screws located on the underside. Locate the paper holder using the hexagonal key (supplied) (B).

## REMOVAL OF THE PAPER HOLDER BAR



OR



**6** The paper holder bar is spring loaded at one end. Gently move the paper holder bar to one side (A).

**7** Lift the opposite end clear of the support arms (B).

**8** Fit in reverse. Fit spring loaded end first.







CONTRACT ENQUIRIES

+44 (0)1992 708 316

[info@lefroybrooks.co.uk](mailto:info@lefroybrooks.co.uk)

CUSTOMER SERVICE, SPARES & TECHNICAL ENQUIRIES

+44 (0)1902 390 894

[technical@lefroybrooks.co.uk](mailto:technical@lefroybrooks.co.uk)

LEFROYBROOKS.CO.UK

---

Whilst every effort is made to ensure the accuracy of these, they are subject to change without notice as part of the company's product development process. The use of trademarks, product design and artwork is subject to licence or agreement with LBIP Ltd. The design registrations, trademark registrations and copyrights are protected by law and the use or reproduction outside the terms of an agreement is prohibited. The right to modify designs and dimensions is reserved. LBIP Ltd is a member of ACID (Anti Copying in Design). E&OE