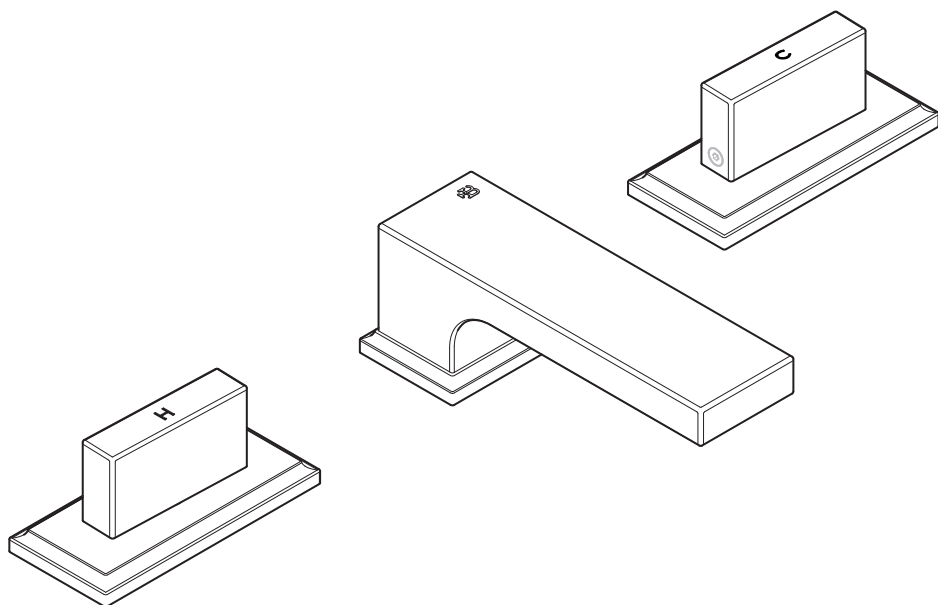


DP 1227  
FIFTH BASIN MIXER WITH CLICK-UP WASTE  
INSTALLATION GUIDE

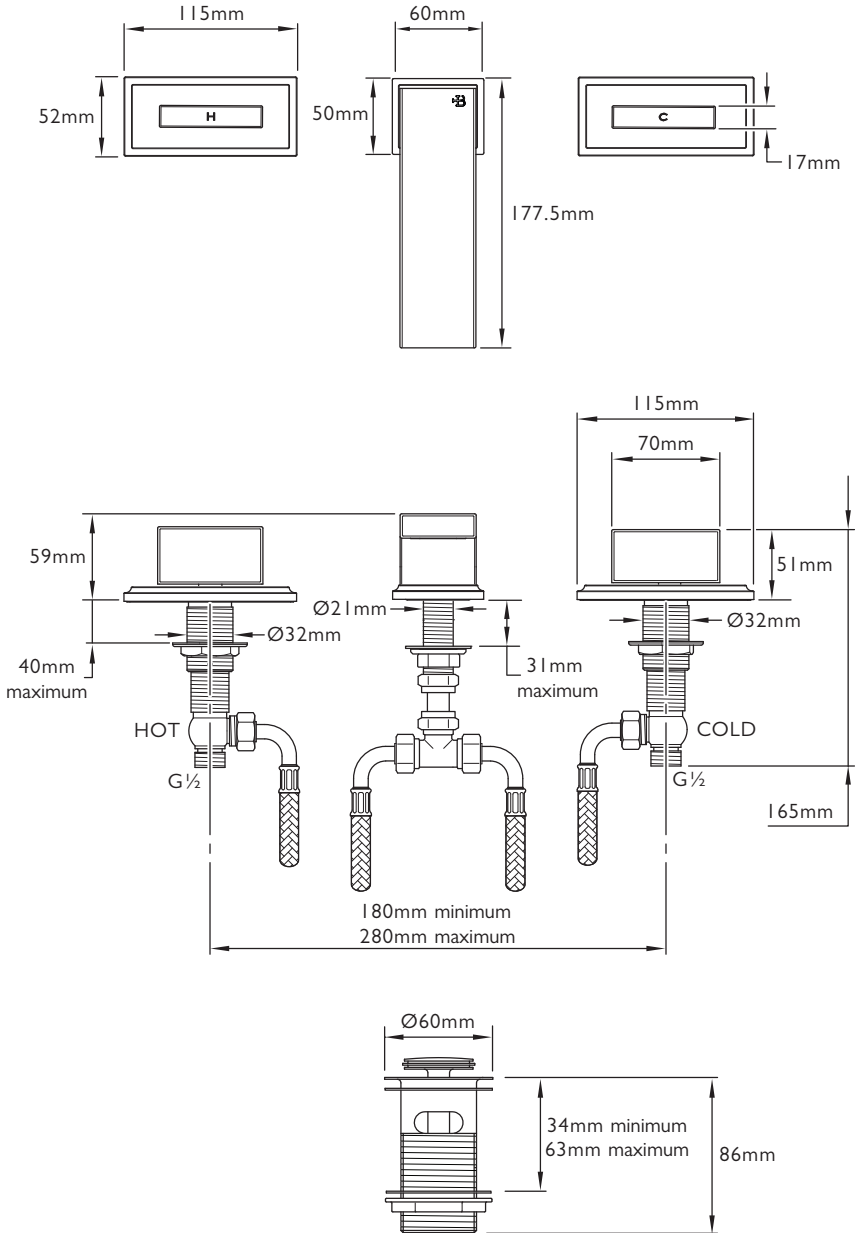
---



LEFROY BROOKS

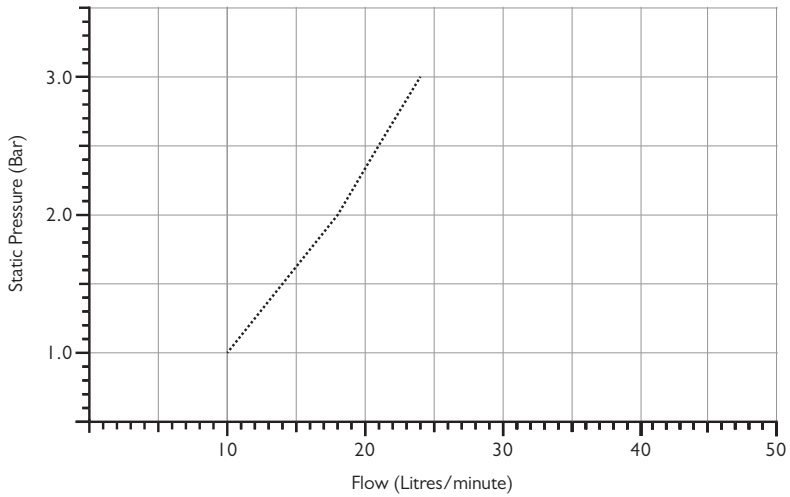
# DIMENSIONS

Note: The flow valves can be positioned either side of the spout as required



Not to scale

## TYPICAL FLOW RATES



Note: Balanced pressures shown are applied directly to the hot and cold inlets; flow rates indicated are free flowing and may vary subject to restrictions created by installation, pipework, layout or application.

## IMPORTANT INFORMATION

### Professional installation

We recommend that our products are fitted by a fully qualified professional plumber. They should be installed correctly and in accordance with all local water regulations and the system protected by non-return valves (not supplied). All products should be accessible for routine servicing.

### Suits all systems

This Lefroy Brooks product is potentially suitable for every possible application, type of boiler and water supply pressure. However, if your supply pressure is below 1 bar it is advisable to fit a water pump. For systems with combination boilers, it is not advisable to fit pumps (refer to boiler manufacturer).

### Supply temperature safety notice

To comply with local building regulations, current legislation, relevant standards and codes of practice a thermostatic mixing valve (TMV) should be fitted (not supplied) to the hot supply. This will restrict the temperature to a safe working maximum temperature. Maximum allowed temperatures vary subject to type of installation or specification of building.

### Water quality

In hard water areas, a suitable water treatment system should be provided to prevent limescale deposits (calcium deposits) which may effect the long term performance of the ceramic cartridges. Exterior surfaces should be gently wiped with a dry soft cloth after use to minimise water stains and limescale deposits.

### Flushing system

It is most important to flush out all pipework thoroughly before connecting the product. Failure to do so is the single most common cause of ceramic cartridge failure.

### Servicing

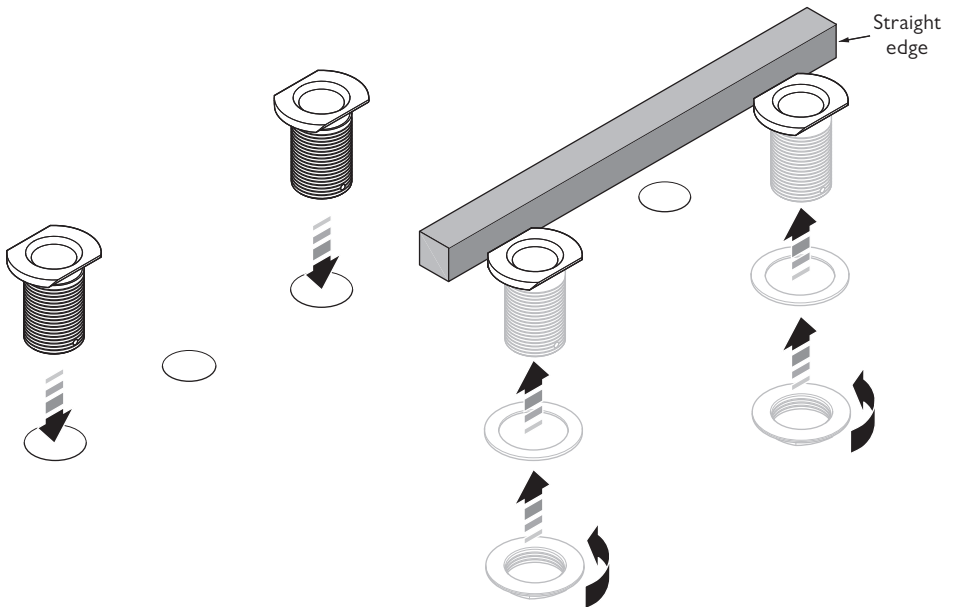
All serviceable parts are available to maintain your Lefroy Brooks product.

### Spout

- Do not hang items from the spout.
- Do not use the top of the spout for storage or place items on top including candles, soaps, cosmetics etc.

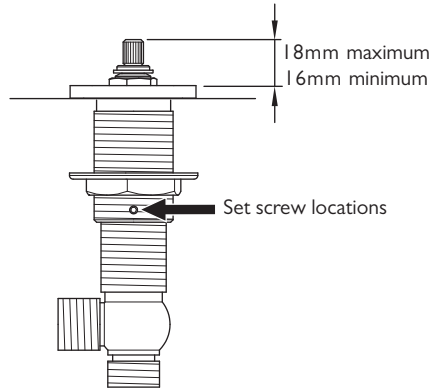
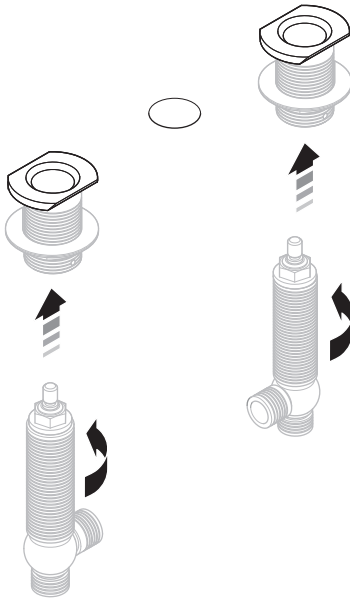
# INSTALLATION

Shown with flow valve locations either side of spout.

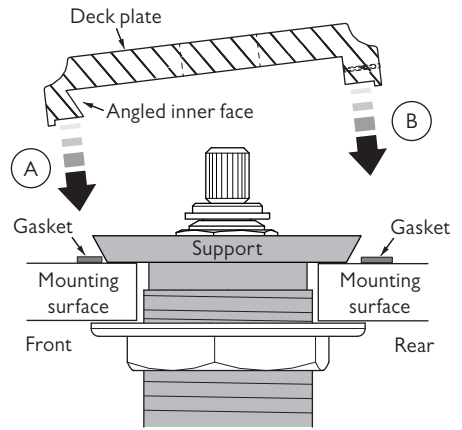
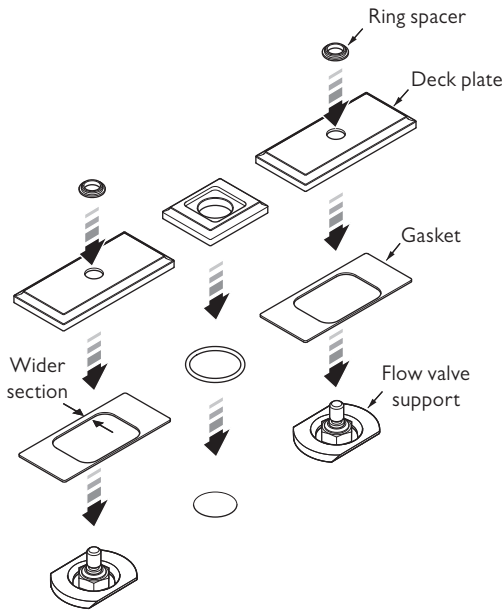


- 1 Cut suitable holes in the work surface.
- 2 Locate the flow valve supports into the outer holes.
- 3 Place a straight edge against the rear of the flow valve supports to ensure they are aligned correctly.

- 4 With the washers in place, screw the flow valve support backnuts in place to secure. Ensure that the supports remain aligned.



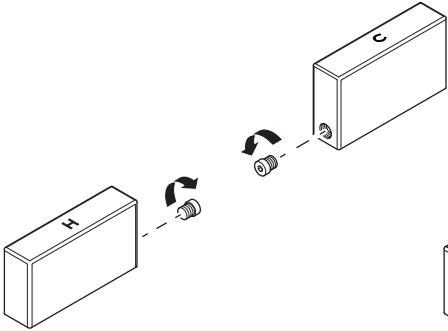
- 5 Screw the flow valves into the flow valve supports.
- 6 Set the height of the flow valves as shown above. The upper surface of the splined tips should be between 16mm and 18mm above the top of the flow valve supports.
- 7 To align the handles locate a handle onto the left hand flow valve and rotate fully clockwise. Locate a handle onto the right hand flow valve and rotate fully counter clockwise. Where necessary, rotate the flow valve to ensure that the front face of each handle is parallel to the front face of the flow valve supports.
- 8 Each flow valve support has two set screws located in it. Using a 2mm hexagonal key secure the flow valves by screwing in the set screws.
- 9 Remove the handles.



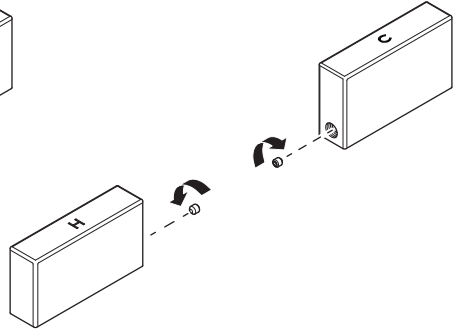
Fitting the deck plate

- 10 Place the gaskets over the flow valves. The holes in the gaskets are not central. Ensure that the wider sections are located to the rear of the flow valve supports.
- 11 Ensure that the underside of the spout deck plate is fitted with an 'O' ring. This is factory fitted, though may have worked loose during transit. Place the spout deck plate over the hole in the mounting surface.
- 12 The flow valve deck plates have a front and rear, the rear having a small set screw hole. The front of the deck plate has an angled inner face as shown above. Locate the front of the deck plates over the flow valve supports (A) then lower the rear of the deck plates (B). Ensure that the gasket is correctly located then screw in the two set screws at the rear of the deck plates using a 1.5mm hexagonal key to secure.
- 13 Place the ring spacers over the cartridge holes in the deck plate (the wider diameter should be at the bottom).

Removing the set screw covers



Tightening the set screws

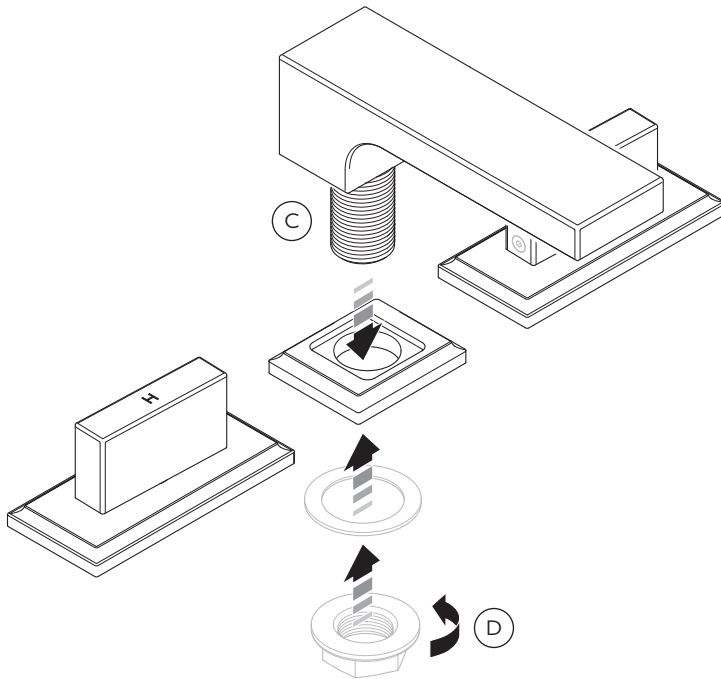


14 Each handle has a removable circular cover located to one side. These each cover a set screw. Unscrew and remove both covers using a 2.5mm hexagonal key.

15 Locate the handles onto the flow valves ensuring that the front face of each handle is parallel to the deck plate; if not aligned then see 7. Secure the handles in place using a 2mm hexagonal key.

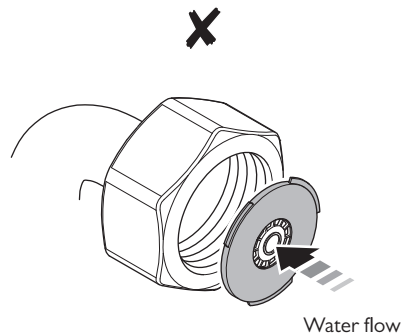
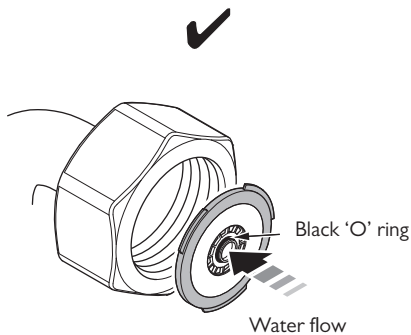
16 Locate the removable covers and secure in place.





**17** Locate the spout thread through the deck plate and hole in the mounting surface (C).

**18** Screw on the washer and backnut to secure the spout (D).



The black 'O' ring in the centre must face the flow of water

19 Connect the flexible hoses to the spout and flow valves as shown in the 'Dimensions' section. Ensure that the flow restrictors are fitted into the hoses at the flow valve outlets and are the correct way round as shown above. It is important to avoid tight bends which may flatten the hoses causing reduced water flow.

20 Connect the hot and cold water supplies to the bottom of the appropriate flow valves. Turn on the water supplies and check for leaks. Check the operation of the flow valves.

## FAULT FINDING

The hot/cold taps are turned off but the spout drips continuously.

- Replace the ceramic cartridge(s). See below for spare part numbers.

The water flow through the spout has reduced.

- Remove and clean/replace the flow regulator(s) fitted to the flexible hoses at the flow valve outlet(s).

---

## REPLACEMENT PARTS

PHL035 – Pair of  $\frac{1}{2}$ " x  $\frac{1}{4}$ " turn ceramic cartridges (one clockwise closing (left side) and one counter clockwise closing (right side)).

PHL040 – Single  $\frac{1}{2}$ " x  $\frac{1}{4}$ " turn ceramic cartridge (clockwise closing – left side)

PHL041 – Single  $\frac{1}{2}$ " x  $\frac{1}{4}$ " turn ceramic cartridge (counter clockwise closing – right side)

PSH022 – Pair of  $\frac{1}{2}$ " replacement braided hoses.

Flow regulators – Please see separate sheet supplied with the product.



CONTRACT ENQUIRIES

+44 (0)1992 708 316

[info@lefroybrooks.co.uk](mailto:info@lefroybrooks.co.uk)

CUSTOMER SERVICE, SPARES & TECHNICAL ENQUIRIES

+44 (0)1902 390 894

[technical@lefroybrooks.co.uk](mailto:technical@lefroybrooks.co.uk)

LEFROYBROOKS.CO.UK

---

Whilst every effort is made to ensure the accuracy of these, they are subject to change without notice as part of the company's product development process. The use of trademarks, product design and artwork is subject to licence or agreement with LBIP Ltd. The design registrations, trademark registrations and copyrights are protected by law and the use or reproduction outside the terms of an agreement is prohibited. The right to modify designs and dimensions is reserved. LBIP Ltd is a member of ACID (Anti Copying in Design). E&OE