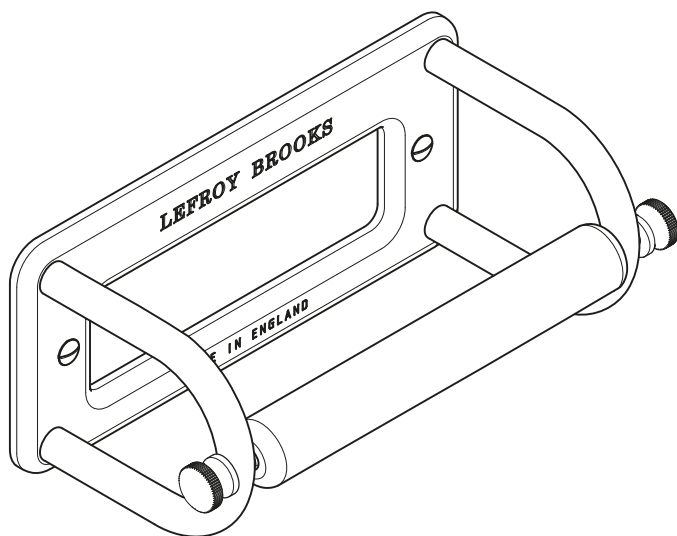


4500  
CLASSIC PAPER HOLDER  
INSTALLATION GUIDE

---



LEFROY BROOKS

# IMPORTANT INFORMATION

## Professional installation

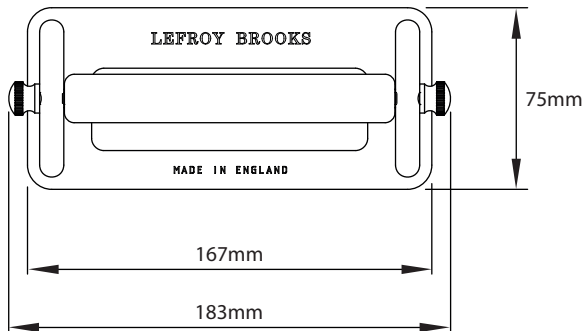
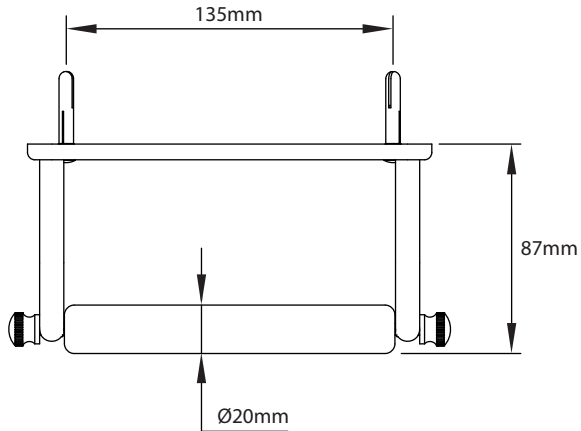
We recommend that our products are fitted by a fully qualified professional. A tester should be used to ensure there are no hidden pipes or electrical cables where the product is to be mounted.

## Wall fixings

The screws and wall plugs provided are suitable for most brick walls. However, if the wall is constructed of plasterboard or soft building block the appropriate fixings should be used.

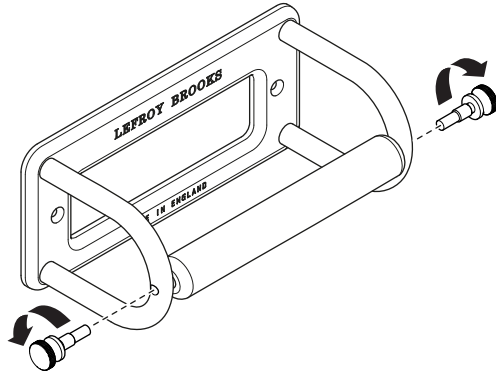
---

## DIMENSIONS

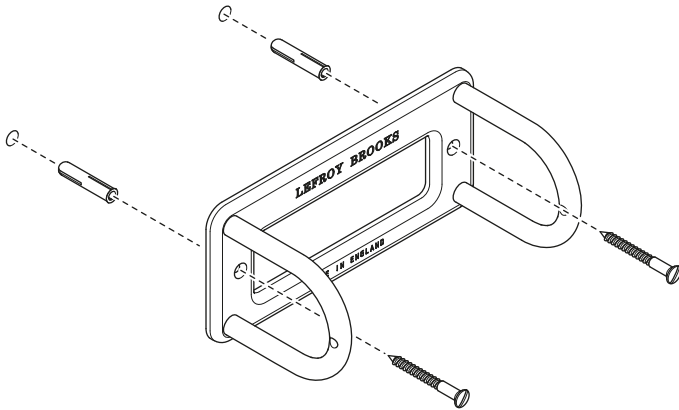


Not to scale

## INSTALLATION



- 1 The paper holder bar is held in place with two thumb screws. Support the bar and unscrew the thumbscrews. Lift the bar clear of the support arms.



- 2 Place the paper holder on to the mounting surface.
- 3 Use a spirit level to ensure that the paper holder is level.
- 4 Mark the locations of the fixing holes.
- 5 Drill holes using a suitably sized drill bit for the wall plugs supplied. If alternate fixings are to be used then drill holes to suit these fixings.
- 6 Locate the paper holder and secure in place using screws.
- 7 Fit the paper bar in reverse.



CONTRACT ENQUIRIES

+44 (0)1992 708 316

[info@lestroybrooks.co.uk](mailto:info@lestroybrooks.co.uk)

CUSTOMER SERVICE, SPARES & TECHNICAL ENQUIRIES

+44 (0)1902 390 894

[technical@lestroybrooks.co.uk](mailto:technical@lestroybrooks.co.uk)

LEFROYBROOKS.CO.UK

---

Whilst every effort is made to ensure the accuracy of these, they are subject to change without notice as part of the company's product development process. The use of trademarks, product design and artwork is subject to licence or agreement with LBIP Ltd. The design registrations, trademark registrations and copyrights are protected by law and the use or reproduction outside the terms of an agreement is prohibited. The right to modify designs and dimensions is reserved. LBIP Ltd is a member of ACID (Anti Copying in Design). E&OE