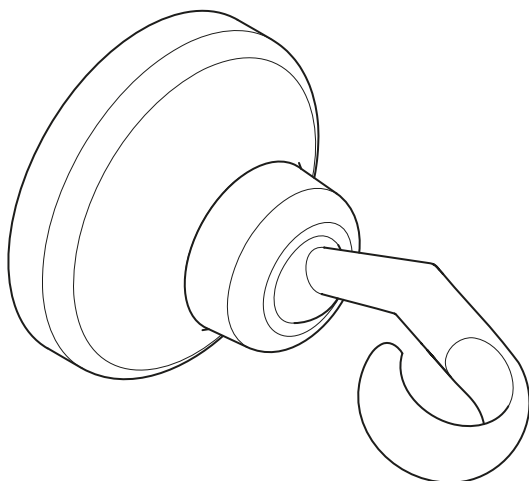


1757  
CLASSIC ADJUSTABLE WALL BRACKET  
FOR HAND SHOWER  
INSTALLATION GUIDE

---



---

LEFROY BROOKS

## IMPORTANT INFORMATION

### Professional installation

We recommend that our products are fitted by a fully qualified professional. A tester should be used to ensure there are no hidden pipes or electrical cables where the product is to be mounted.

### Wall fixings

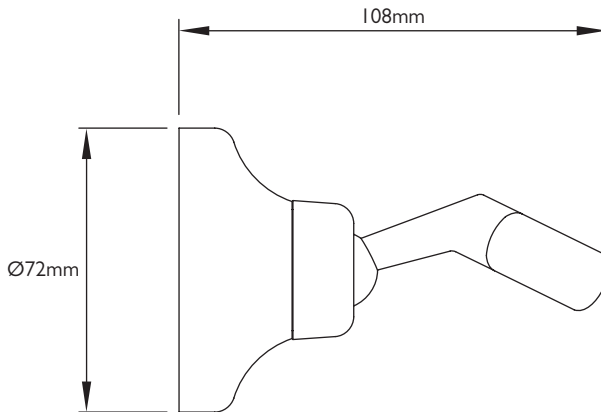
The screw and wall plug provided are suitable for most brick walls. However, if the wall is constructed of plasterboard or soft building block the appropriate fixings should be used.

### Water quality

In hard water areas, a suitable water treatment system should be provided to prevent limescale deposits (calcium deposits) which may effect the long term appearance of the product. Exterior surfaces should be gently wiped with a dry soft cloth after use to minimise water stains and limescale deposits.

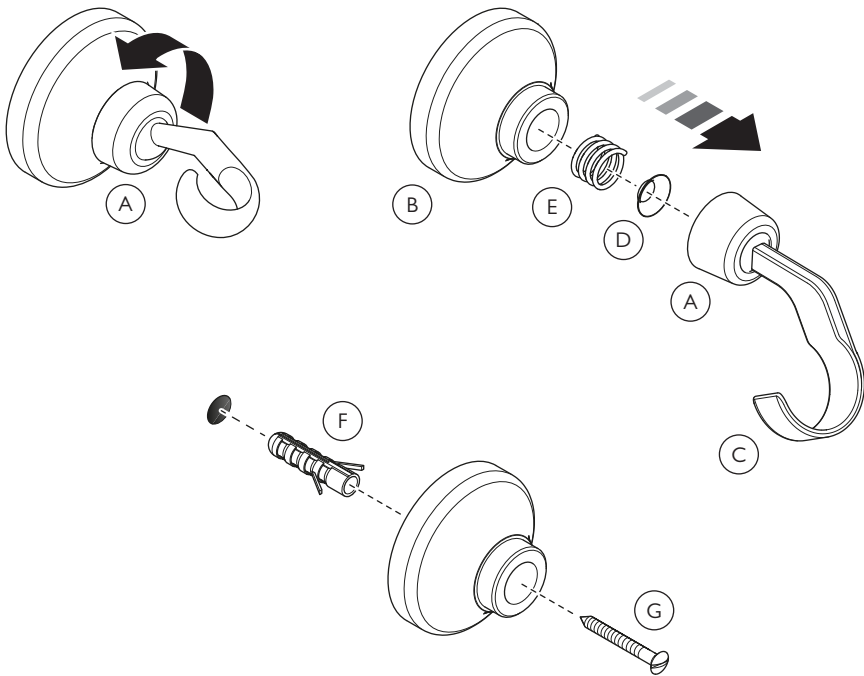
---

## DIMENSIONS



Not to scale

## INSTALLATION



- 1 Unscrew and remove the circular retaining ring (A) from the body (B).
- 2 Remove the support arm (C) and retaining ring (A) from the body (B).
- 3 Remove the spring cap (D) and spring (E) from the body (B).
- 4 Place the body (B) on to the mounting surface.
- 5 Mark the central hole position on the mounting surface.
- 6 Drill a hole using a suitably sized drill bit for the wall plug supplied. If alternate fixings are to be used then drill a hole to suit the fixing.
- 7 Insert the wall plug (F) into the hole.
- 8 Secure the body (C) using screw (G).
- 9 Assemble the wall bracket in reverse ensuring that the recess in the spring cap (D) faces the ball on the end of the support arm (C).



CONTRACT ENQUIRIES

+44 (0)1992 708 316

[info@lefroybrooks.co.uk](mailto:info@lefroybrooks.co.uk)

CUSTOMER SERVICE, SPARES & TECHNICAL ENQUIRIES

+44 (0)1902 390 894

[technical@lefroybrooks.co.uk](mailto:technical@lefroybrooks.co.uk)

LEFROYBROOKS.CO.UK

---

Whilst every effort is made to ensure the accuracy of these, they are subject to change without notice as part of the company's product development process. The use of trademarks, product design and artwork is subject to licence or agreement with LBIP Ltd. The design registrations, trademark registrations and copyrights are protected by law and the use or reproduction outside the terms of an agreement is prohibited. The right to modify designs and dimensions is reserved. LBIP Ltd is a member of ACID (Anti Copying in Design). E&OE