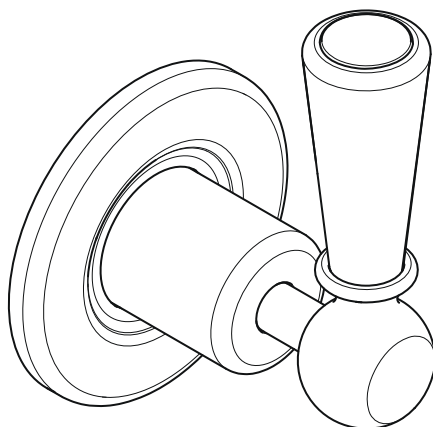


1721 / 1723
TWO WAY WALL MOUNTED DIVERTER
INSTALLATION GUIDE



LEFROY BROOKS

IMPORTANT INFORMATION

Professional installation

We recommend that our products are fitted by a fully qualified professional plumber. They should be installed correctly and in accordance with all local water regulations. All products should be accessible for routine servicing.

Suits all systems

This Lefroy Brooks product is potentially suitable for every possible application, type of boiler and water supply pressure. However, if your supply pressure is below 1 bar it is advisable to fit a water pump. For systems with combination boilers, it is not advisable to fit pumps (refer to boiler manufacturer).

Supply temperature safety notice

A thermostatic mixing valve (TMV) should be fitted (not supplied) to the hot supply to restrict the temperature to a safe working/maximum temperature to comply with local building regulations, current legislation, relevant standards and codes of practice. Maximum allowed temperatures vary subject to type of installation or specification of building.

Flushing system

It is most important to flush out all pipework thoroughly before connecting the product. This is the single most common cause of cartridge failure.

Supply connections

Lefroy Brooks do not supply any pipework or connections for the diverter. Connections are G½. We recommend tap connectors be used to connect pipework to the diverter.

Servicing

The diverter is designed to be serviced from the front, but suitable access should be available to aid any future maintenance/servicing. Installing isolation valves will make servicing much easier (not supplied).

All serviceable parts are available to maintain your Lefroy Brooks product (contact your retailer for details).

Water quality

In hard water areas a suitable water treatment system should be provided to prevent limescale deposits (calcium deposits). Exterior surfaces should be gently wiped with a dry soft cloth after use to minimise water stains and limescale deposits.

Understanding the operation of the diverter.

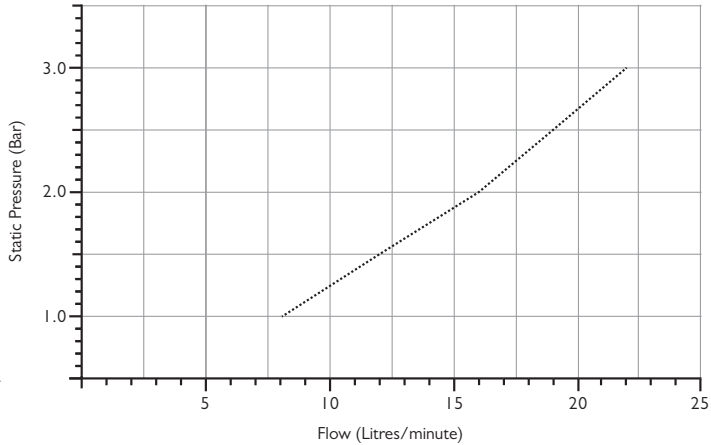
This Lefroy Brooks product is a diverter valve and is designed to divert the water supply from one application to another.

It cannot be used to:

- Control water temperature
- Control water flow rate
- Isolate the water supply
- Operate more than one application at any one time

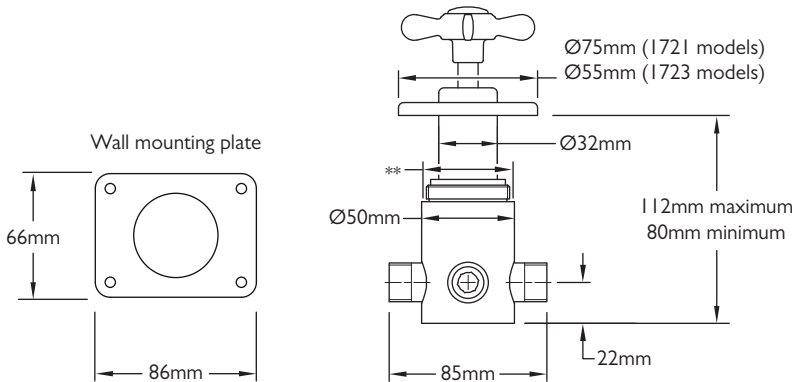
If applications are required to operate simultaneously we recommend the use of separate flow valves in place of the diverter (contact your retailer for advice).

TYPICAL FLOW RATES



Note: Balanced pressures shown are applied directly to the hot and cold inlets; flow rates indicated are free flowing and may vary subject to restrictions created by installation, pipework, layout or application.

DIMENSIONS

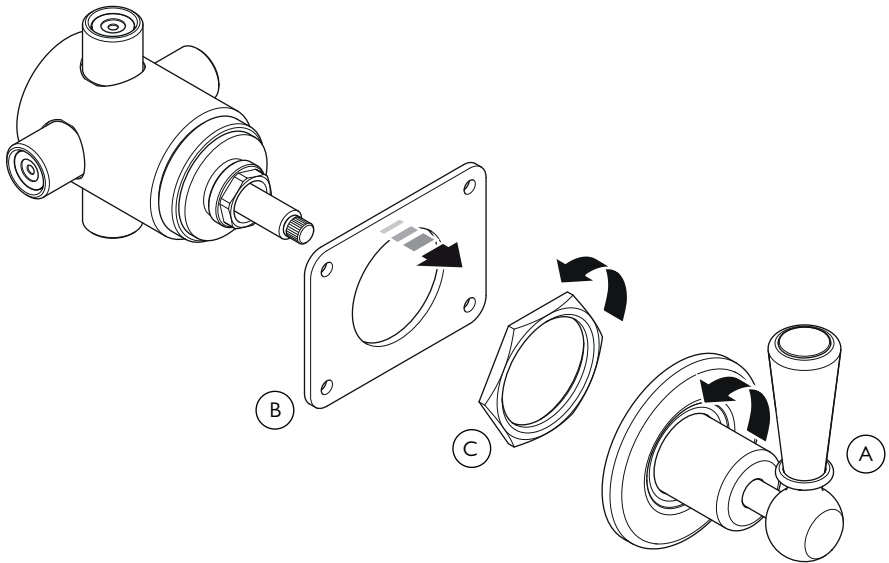


** Important Note:

DO NOT tile over the front of the diverter body. The front cap requires removal for servicing and maintenance. We recommend that Ø48mm to Ø50mm diameter clearance is left unfinished.

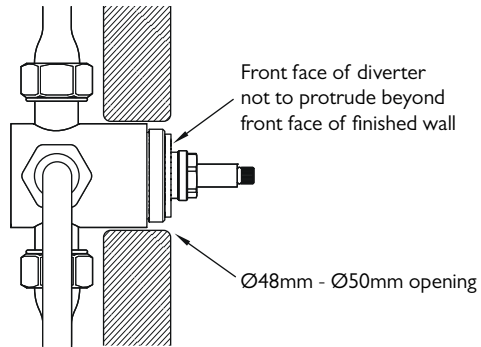
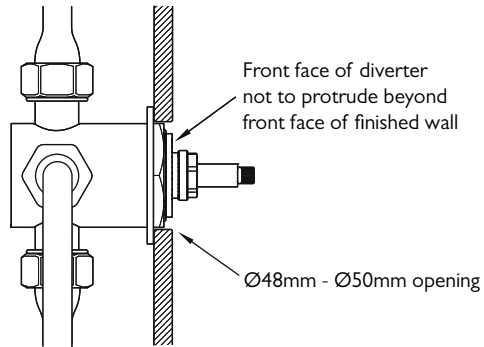
Not to scale

INSTALLATION



1 After removing the diverter from its packaging, unscrew and remove the handle/lever assembly (A). The wall plate will remain attached to the assembly.

2 The diverter is supplied with a wall mounting plate (B) fitted. If the mounting plate is not required, unscrew and remove lock nut (C) then pull the plate clear of the diverter. Dispose of both.



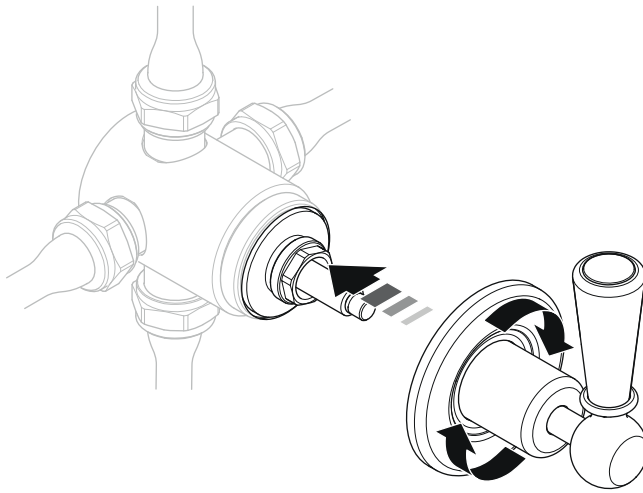
3 Locate the diverter body behind the wall, ensuring that the front face of the diverter does not protrude beyond the front face of the finished wall surface.

4 Connect the pipework. The water inlets and outlets are marked as below:

V = Water inlet.

There are two of these, one for a cold supply and one for hot. If the diverter is being supplied with mixed water from a thermostatic valve then one of the inlets can be closed using a blanking plug (not supplied).

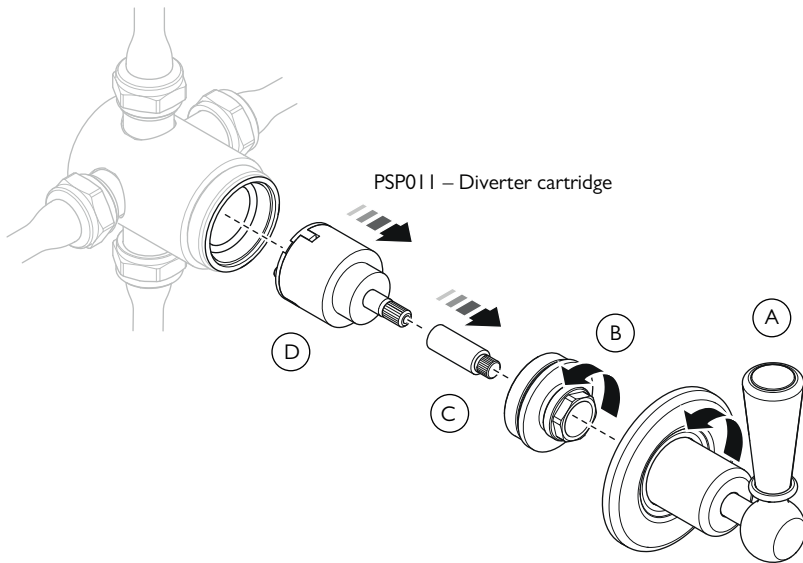
A & B = Water outlets.



5 Align the handle/lever assembly and locate on to the spline.

6 Screw the lever handle assembly body in a clockwise direction to secure in place. Ensure that the wall plate is pushed back to seal against the wall.

SERVICING



Problem solving – Servicing should only be necessary if the diverter fails to divert water, or water is present at two applications at the same time.

If water continually drips from an application fed by the diverter valve, the problem is with the on/off valve that supplies the diverter valve.

- 1 Hold the body of the handle/lever assembly then unscrew to remove the assembly from the diverter valve (A).
- 2 Using a 20mm spanner or socket, unscrew and remove the diverter cap (B).
- 3 Pull the short spindle from the diverter cartridge (C).
- 4 Pull the diverter cartridge from the diverter body (D).
- 5 Clean or replace the diverter cartridge.
- 6 Assemble in reverse order.

IMPORTANT:

There are location pegs on the base of the diverter cartridge. Ensure to locate these into the holes in the diverter body when fitting the cartridge.



CONTRACT ENQUIRIES
+44 (0)1992 708 316

info@lefroybrooks.co.uk

CUSTOMER SERVICE, SPARES & TECHNICAL ENQUIRIES

+44 (0)1902 390 894

technical@lefroybrooks.co.uk

LEFROYBROOKS.CO.UK

Whilst every effort is made to ensure the accuracy of these, they are subject to change without notice as part of the company's product development process. The use of trademarks, product design and artwork is subject to licence or agreement with LBIP Ltd. The design registrations, trademark registrations and copyrights are protected by law and the use or reproduction outside the terms of an agreement is prohibited. The right to modify designs and dimensions is reserved. LBIP Ltd is a member of ACID (Anti Copying in Design). E&OE