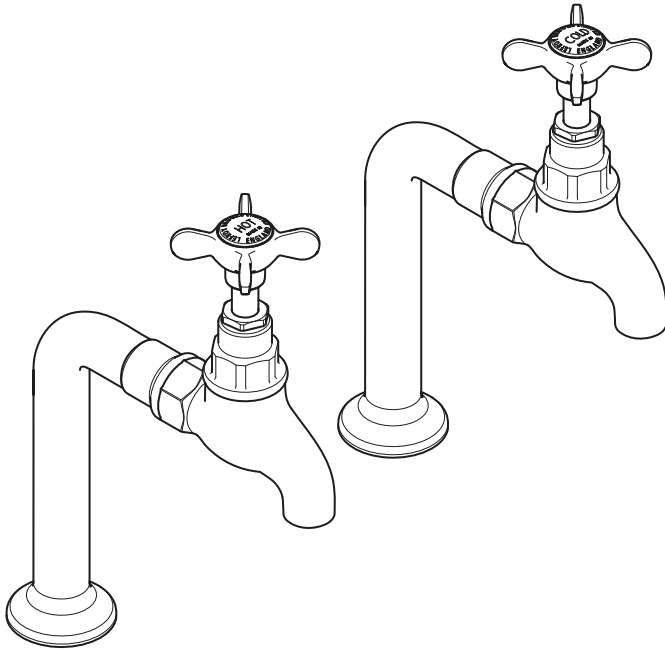


1590

DECK MOUNTED BIBCOCK & PILLARS

INSTALLATION GUIDE



LEFROY BROOKS

IMPORTANT INFORMATION

Professional installation

We recommend that our products are fitted by a fully qualified professional plumber. They should be installed correctly and in accordance with all local water regulations and the system protected by non-return valves (not supplied). All products should be accessible for routine servicing.

Suits all systems

This Lefroy Brooks product is potentially suitable for every possible application, type of boiler and water supply pressure. However, if your supply pressure is below 1 bar it is advisable to fit a water pump. For systems with combination boilers, it is not advisable to fit pumps (refer to boiler manufacturer).

Supply temperature safety notice

A thermostatic mixing valve (TMV) should be fitted (not supplied) to the hot supply to restrict the temperature to a safe working/maximum temperature to comply with local building regulations, current legislation, relevant standards and codes of practice. Maximum allowed temperatures vary subject to type of installation or specification of building.

Flushing system

It is most important to flush out all pipework thoroughly before connecting the product. This is the single most common cause of ceramic cartridge failure.

Supply connections

Lefroy Brooks do not supply any pipework or connections for the pillars. The threaded tails can be cut to length and be connected to the water supplies using standard tap connectors.

Balancing flow

If a significant difference in pressure exist between the hot & cold supplies, we advise fitting a 'flow regulator' (not supplied) to the higher or both supplies.

Servicing

Suitable access should be available to aid any future maintenance/servicing. Installing isolation valves will make servicing much easier (not supplied).

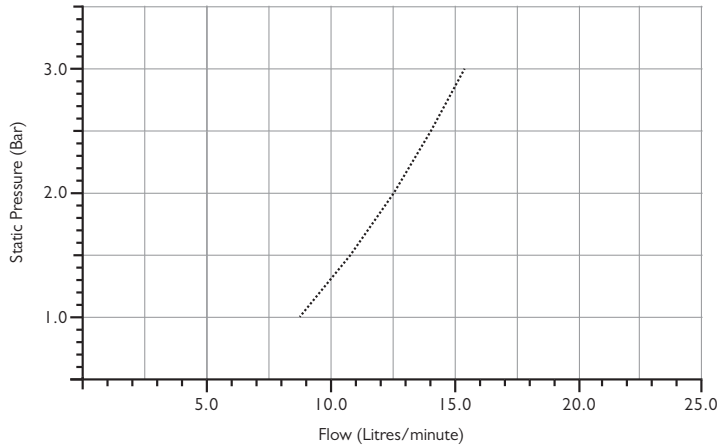
All serviceable parts are available to maintain your Lefroy Brooks product (contact retailer for details).

Water quality

In hard water areas a suitable water treatment system should be provided to prevent limescale deposits (calcium deposits). Exterior surfaces should be gently wiped with a dry soft cloth after use to minimise water stains and limescale deposits.

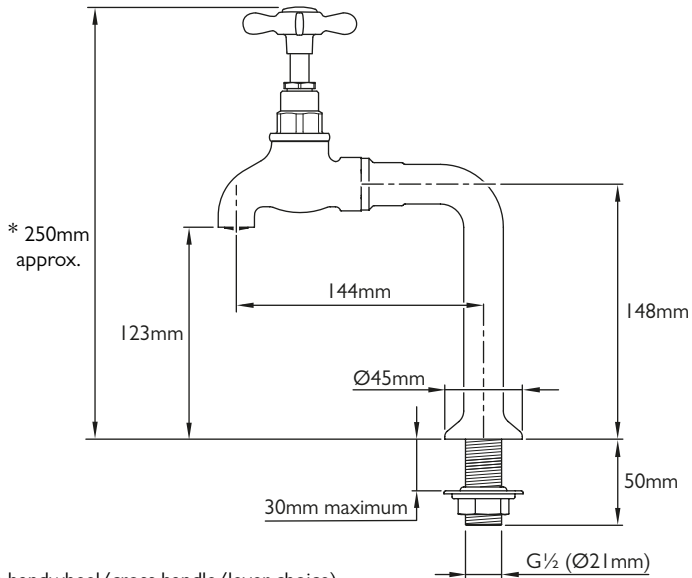
TYPICAL FLOW RATE

The flow rates shown below are for a single tap.



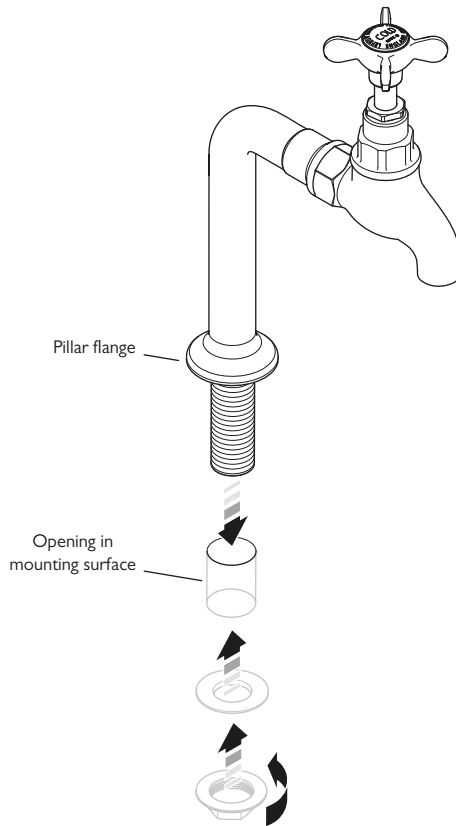
Note: The pressures shown are applied directly to the inlet; flow rates indicated are free flowing and may vary subject to restrictions created by installation, pipework, layout or application.

DIMENSIONS



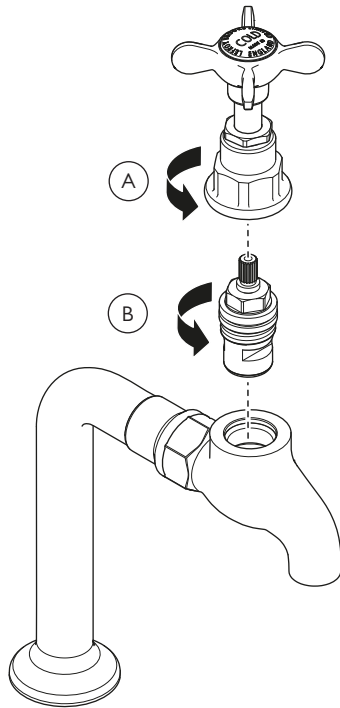
* (Depending on handwheel/cross handle/lever choice)

INSTALLATION



- 1 The 'HOT' tap should be installed on the left and the 'COLD' on the right, when viewed from the front.
- 2 Unscrew and remove the backnuts and rubber washers from the threaded tails.
- 3 Unless mounting to a surface with pre-drilled holes, drill suitable sized holes through the mounting surface. We recommend $\text{\O}23\text{mm}$ to $\text{\O}25\text{mm}$.
- 4 We recommend the application of a small bead of silicone sealant to the underside of the pillar flange. Insert the threaded tails through the opening in the mounting surface.
- 5 Locate the rubber washers on to the threaded tails.
- 6 Locate the backnuts on to the threaded tails.
- 7 Ensure the pillar taps are correctly aligned then secure using the backnuts. Do not over tighten the backnuts.

SERVICING – CARTRIDGE REPLACEMENT

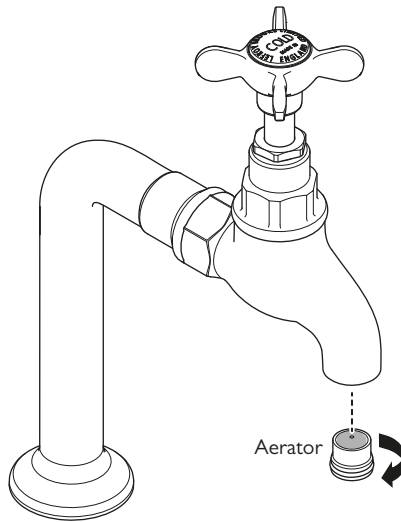


Before continuing please ensure that the water supplies have been isolated and drained where necessary.

- 1 To remove the ceramic cartridge(s), unscrew and remove the cross handle/handwheel/lever assemblies (A). Using a rubber glove such as those used for washing up will improve grip.

- 2 Unscrew and remove the ceramic cartridge(s) using a 17mm spanner (B).
- 3 Replace the ceramic cartridge and assemble in the reverse order.

SERVICING – CLEANING THE SPOUT AERATOR



1 There is an aerator located in the end of the spout. There is a small slot in the front face of the aerator, designed to take the edge of a small coin. Insert a small coin into the slot and unscrew to remove.

- 2 The aerator can be cleaned in warm soapy water or replaced with a new aerator.
- 3 Assemble in the reverse order.

FAULT FINDING

The hot/cold valves are turned off but the spout drips continuously.

- Replace the ceramic cartridge(s). See below for spare part number and 'Servicing – Cartridge Replacement' section.

Water flow from a tap is reduced

- Debris from the water supply may be causing restriction at the aerator located in the end of the spout. The aerator can be removed for cleaning/replacement. See below for spare part number and 'Servicing – Cleaning the Spout Aerator' section).

Noisy operation

- Reduce water pressure.

REPLACEMENT PARTS

Aerator – PSH128

Cross handle & Handwheel models only

Pair of ½" x ½ turn ceramic cartridges (both clockwise closing) – PHL034

Lever models only

Pair of ½" x ¼ turn ceramic cartridges

(one counter clockwise closing, the other clockwise closing) – PHL035



CONTRACT ENQUIRIES

+44 (0)1992 708 316

info@lefroybrooks.co.uk

CUSTOMER SERVICE, SPARES & TECHNICAL ENQUIRIES

+44 (0)1902 390 894

technical@lefroybrooks.co.uk

LEFROYBROOKS.CO.UK

Whilst every effort is made to ensure the accuracy of these, they are subject to change without notice as part of the company's product development process. The use of trademarks, product design and artwork is subject to licence or agreement with LBIP Ltd. The design registrations, trademark registrations and copyrights are protected by law and the use or reproduction outside the terms of an agreement is prohibited. The right to modify designs and dimensions is reserved. LBIP Ltd is a member of ACID (Anti Copying in Design). E&OE