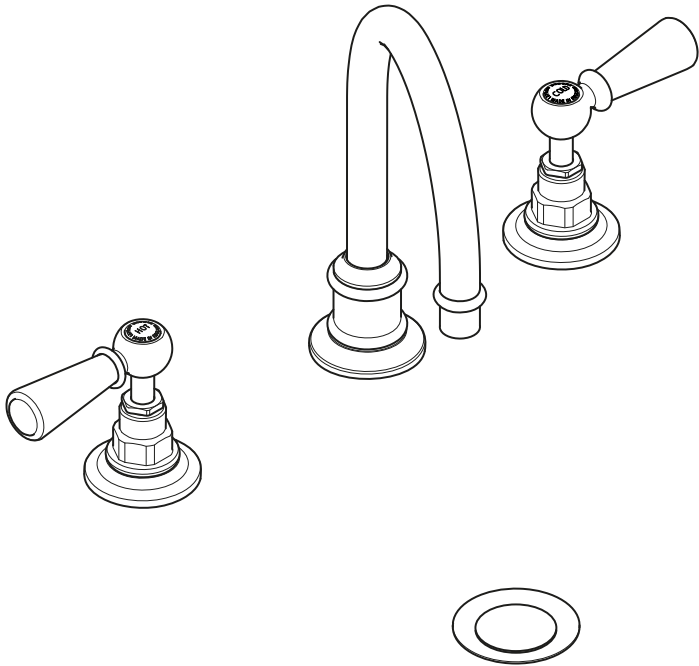


I230
TUBULAR THREE HOLE BASIN MIXER
INSTALLATION GUIDE



LEFROY BROOKS

IMPORTANT INFORMATION

Professional installation

We recommend that our products are fitted by a fully qualified professional plumber. They should be installed correctly and in accordance with all local water regulations and the system protected by non-return valves (not supplied). All products should be accessible for routine servicing.

Suits all systems

This Lefroy Brooks product is potentially suitable for every possible application, type of boiler and water supply pressure. However, if your supply pressure is below 1 bar it is advisable to fit a water pump. For systems with combination boilers, it is not advisable to fit pumps (refer to boiler manufacturer).

Supply temperature safety notice

A thermostatic mixing valve (TMV) should be fitted (not supplied) to the hot supply to restrict the temperature to a safe working/maximum temperature to comply with local building regulations, current legislation, relevant standards and codes of practice. Maximum allowed temperatures vary subject to type of installation or specification of building.

Flushing system

It is most important to flush out all pipework thoroughly before connecting the product. This is the single most common cause of valve/cartridge failure.

Supply connections

We recommend the installation of individual isolation valves. The hot and cold water hoses should be connected to suitable 1/2" BSP connectors.

Balancing flow

If a significant pressure difference exists between the hot and cold supplies, we advise fitting a 'flow regulator' (not supplied) to the higher or both supplies.

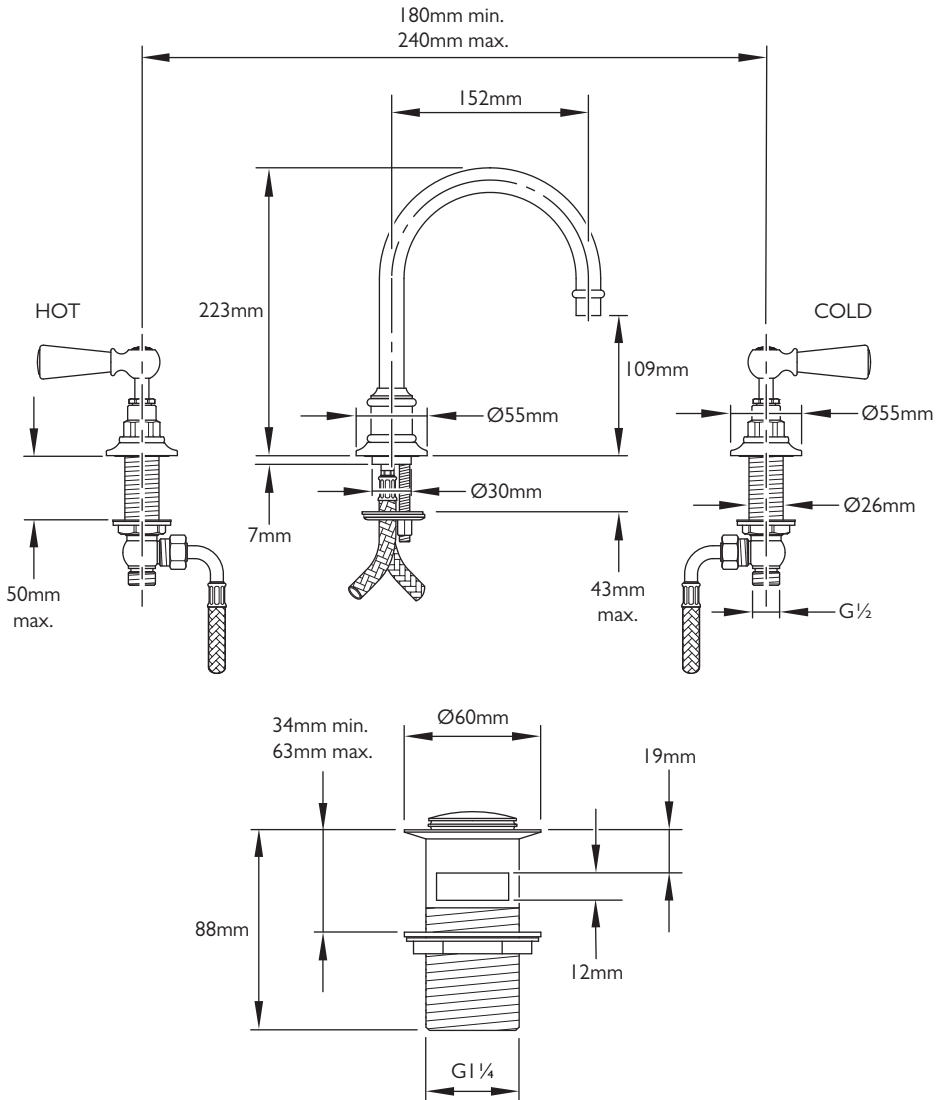
Water quality

In hard water areas, a suitable water treatment system should be provided to prevent limescale deposits (calcium deposits) which may effect the long term performance of the ceramic cartridges. Exterior surfaces should be gently wiped with a dry soft cloth after use to minimise water stains and limescale deposits.

Servicing

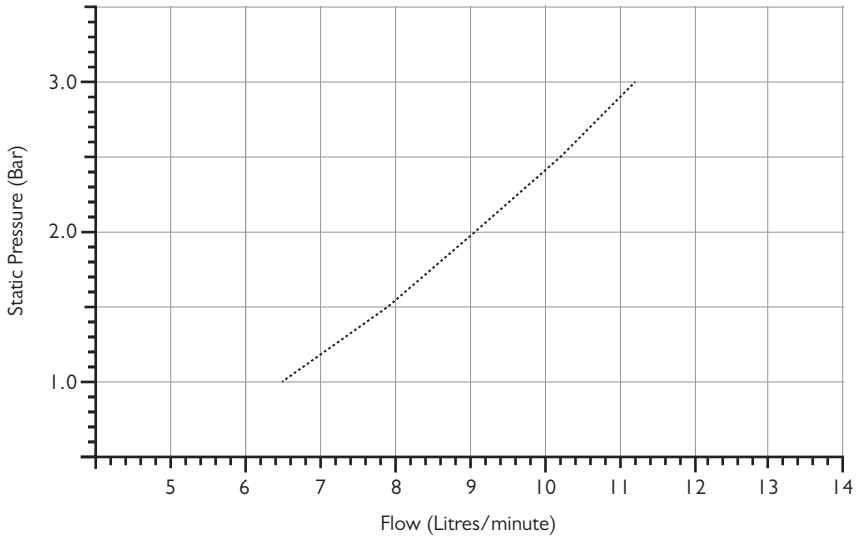
All serviceable parts are available to maintain your Lefroy Brooks product.

DIMENSIONS



The recommended mounting surface opening for the spout is Ø32mm - Ø34mm.
For flow valve mounting surface openings please refer to separate guide.

TYPICAL FLOW RATES

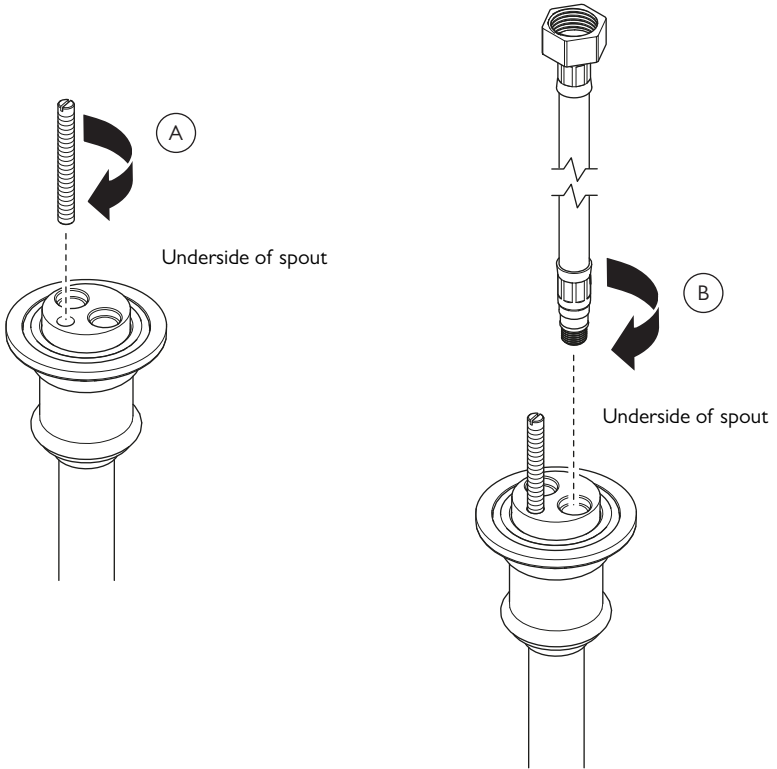


Note: The balanced pressures shown are applied directly to the inlets; flow rates indicated are free flowing and may vary subject to restrictions created by installation, pipework, layout or application.

FLOW VALVE INSTALLATION

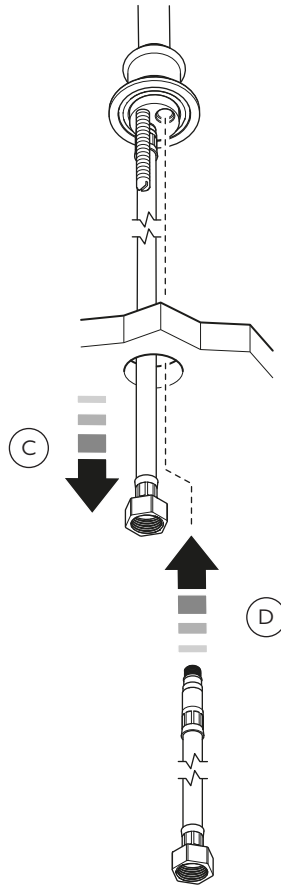
For flow valve installation please refer to the separate guide supplied.

INSTALLATION



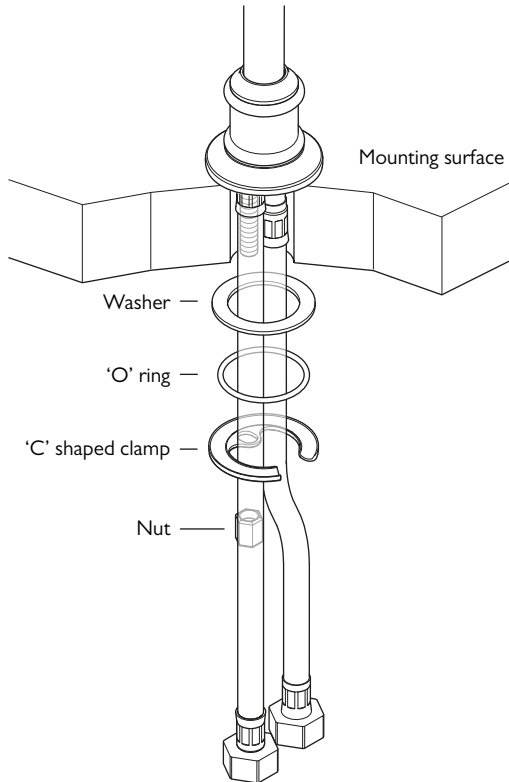
1 There are three holes in the base of the spout body. Use a flat bladed screwdriver to screw the threaded tail into the smaller of the three (A).

2 One of the hoses has a shorter connector than the other. Screw the hose with the shorter connector into one of the holes in the underside of the spout body. The 'O' ring on the hose will provide a water tight seal so additional sealing compound should be required.



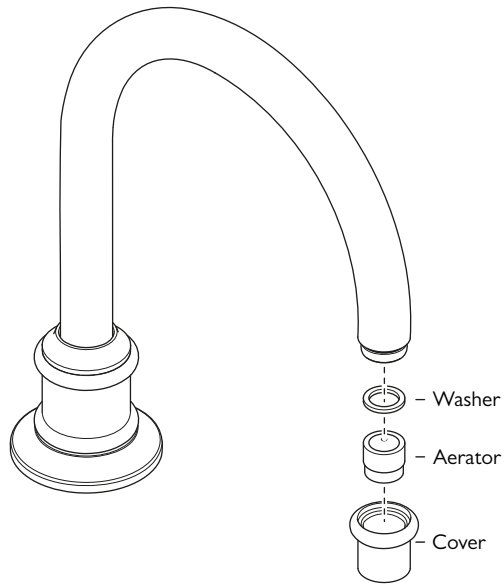
3 Feed the hose on the spout through the $\text{\O}32\text{mm} - \text{\O}34\text{mm}$ hole in the mounting surface (C).

4 From the underside of the mounting surface, feed the remaining hose through the hole (D). Screw this into the base of the spout.



- 5 Feed the washer and 'O' ring onto the hoses.
- 6 With the recess facing upward, locate the 'C' shaped metal clamp beneath the washer and 'O' ring. Slide all three along the hoses until they come into contact with the underside of the mounting surface, ensuring that the hole in the 'C' shaped clamp has passed over the threaded tail.
- 7 Locate and screw the locking nut onto the threaded tail, but hand tight only. Ensure the spout is positioned as required then tighten the nut with a spanner to secure the spout. Be careful not to over tighten as this may cause damage.
- 8 Install the flow valves as shown in the guide supplied.
- 9 Connect the hoses.
- 10 Ensure that the lower compression nut at the top of the three way connector is tight.
- 11 Pressure test the installation to ensure that all joints are tight and do not leak, especially where pipework will be concealed.

SERVICING – CLEANING THE SPOUT AERATOR

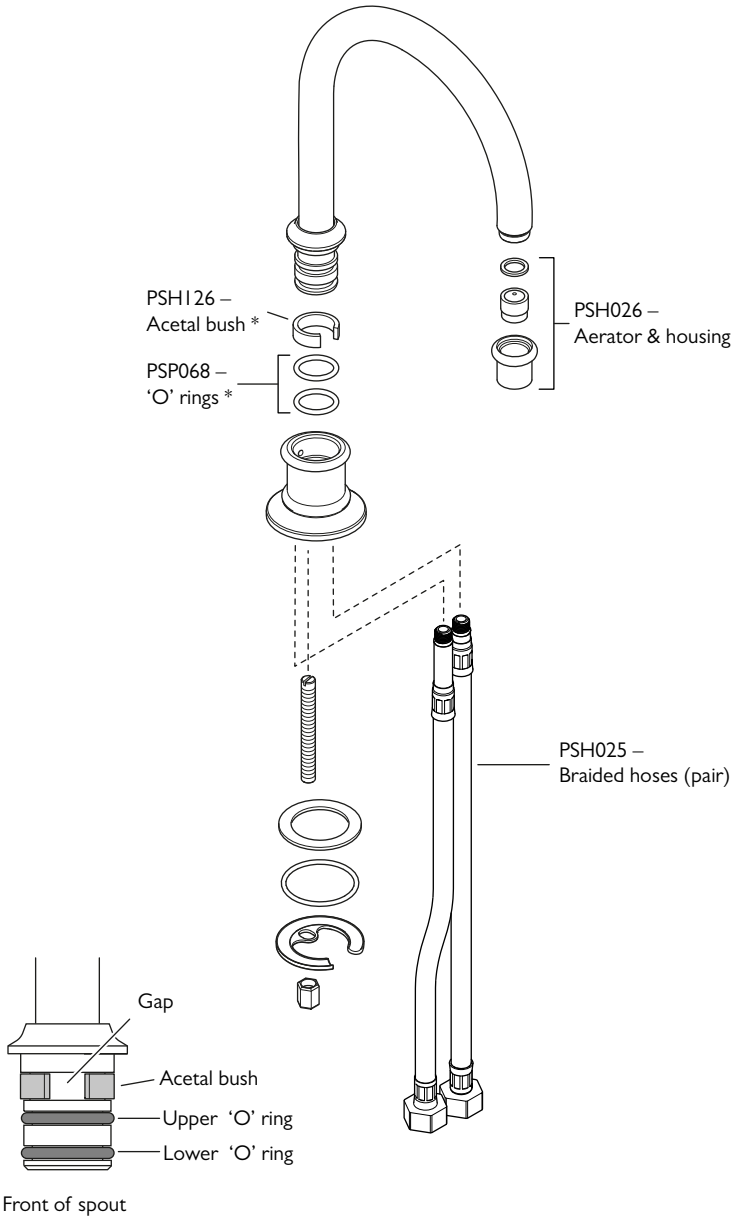


1 There is an aerator located in the end of the spout. To remove the aerator unscrew and remove the aerator cover.

2 The aerator can be cleaned in warm soapy water.

3 Assemble in the reverse order.

REPLACEMENT PARTS



* Following 'O' ring replacement, before fitting the spout, ensure the gap in the acetal bush faces the front of the spout.

FAULT FINDING

The hot/cold valves are turned off but the spout drips continuously.

- Replace the ceramic cartridge(s). Please refer to the installation guide supplied with the flow valves.

Water flow from the spout is reduced.

- Debris from the water supply may be causing restriction at the aerator located in the end of the spout.
The aerator can be removed for cleaning. See 'servicing – cleaning the spout aerator' section.

Water leaks from the base of the spout.

- Replace the spout 'O' rings. See opposite for spare part number.
Note: Following 'O' ring replacement, before fitting the spout, ensure the gap in the acetal bush faces the front of the spout.



CONTRACT ENQUIRIES

+44 (0)1992 708 316

info@lestroybrooks.co.uk

CUSTOMER SERVICE, SPARES & TECHNICAL ENQUIRIES

+44 (0)1902 390 894

technical@lestroybrooks.co.uk

LEFROYBROOKS.CO.UK

Whilst every effort is made to ensure the accuracy of these, they are subject to change without notice as part of the company's product development process. The use of trademarks, product design and artwork is subject to licence or agreement with LBIP Ltd. The design registrations, trademark registrations and copyrights are protected by law and the use or reproduction outside the terms of an agreement is prohibited. The right to modify designs and dimensions is reserved. LBIP Ltd is a member of ACID (Anti Copying in Design). E&OE