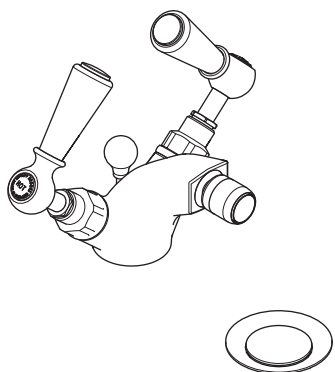
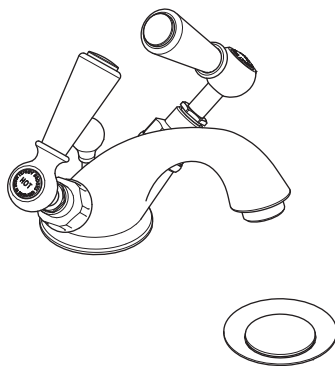


1185 / 1189 / 1195 / 1199  
BASIN & BIDET MONOBLOC MIXERS  
INSTALLATION GUIDE

---



---

LEFROY BROOKS

## IMPORTANT INFORMATION

### **Professional installation**

We recommend that our products are fitted by a fully qualified professional plumber. They should be installed correctly and in accordance with all local water regulations and the system protected by non-return valves (not supplied). All products should be accessible for routine servicing.

### **Suits all systems**

This Lefroy Brooks product is potentially suitable for every possible application, type of boiler and water supply pressure. However, if your supply pressure is below 1 bar it is advisable to fit a water pump. For systems with combination boilers, it is not advisable to fit pumps (refer to boiler manufacturer).

### **Supply temperature safety notice**

A thermostatic mixing valve (TMV) should be fitted (not supplied) to the hot supply to restrict the temperature to a safe working/maximum temperature to comply with local building regulations, current legislation, relevant standards and codes of practice. Maximum allowed temperatures vary subject to type of installation or specification of building.

### **Flushing system**

It is most important to flush out all pipework thoroughly before connecting the monobloc. This is the single most common cause of cartridge failure.

### **Supply connections**

We recommend the installation of individual isolation valves. The hot and cold water hoses should be connected to suitable G½ connectors.

### **Balancing flow**

If a significant pressure difference exists between the hot and cold supplies, we advise fitting a 'flow regulator' (not supplied) to the higher or both supplies.

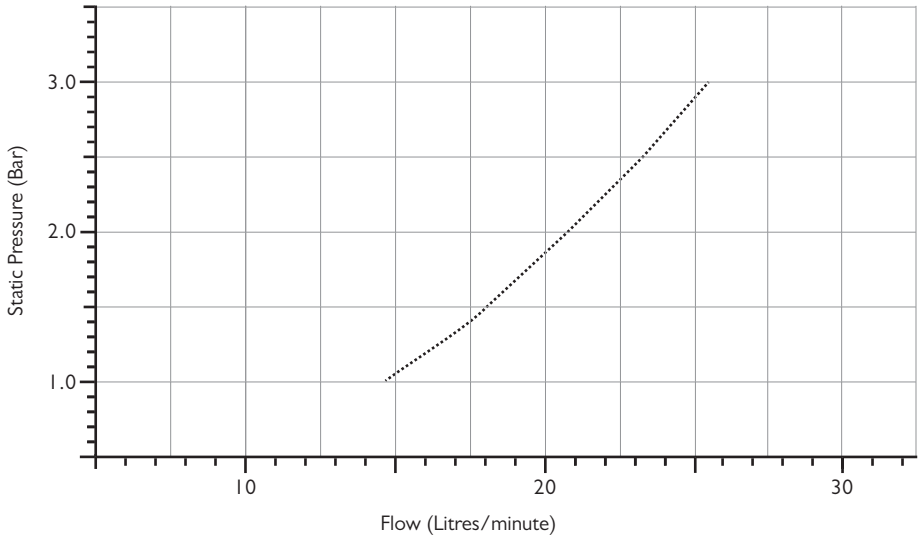
### **Water quality**

In hard water areas, a suitable water treatment system should be provided to prevent limescale deposits (calcium deposits) which may effect the long term performance of the ceramic cartridges. Exterior surfaces should be gently wiped with a dry soft cloth after use to minimise water stains and limescale deposits.

### **Servicing**

All serviceable parts are available to maintain your Lefroy Brooks product.

## TYPICAL FLOW RATES

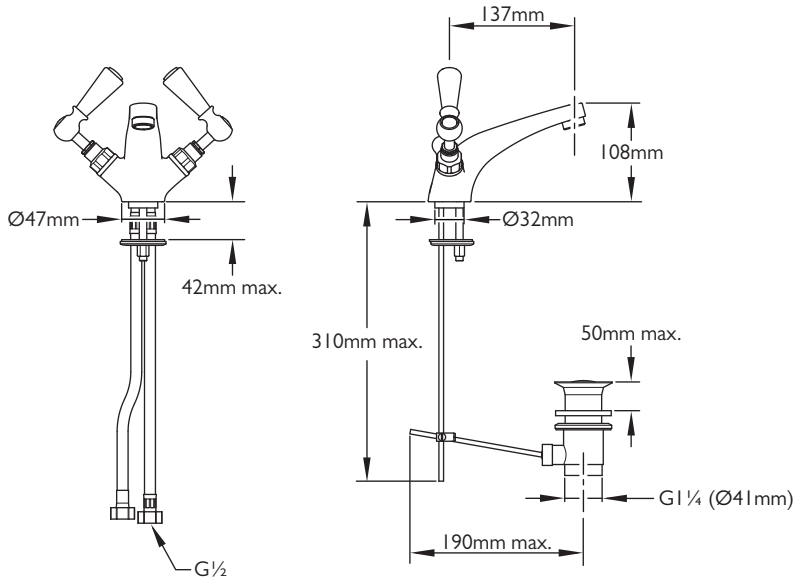


Note: The balanced pressures shown are applied directly to the inlets; flow rates indicated are free flowing and may vary subject to restrictions created by installation, pipework, layout or application.

To avoid excessive splashing a pressure no greater than 1.5 bar is recommended for basin monoblocs.

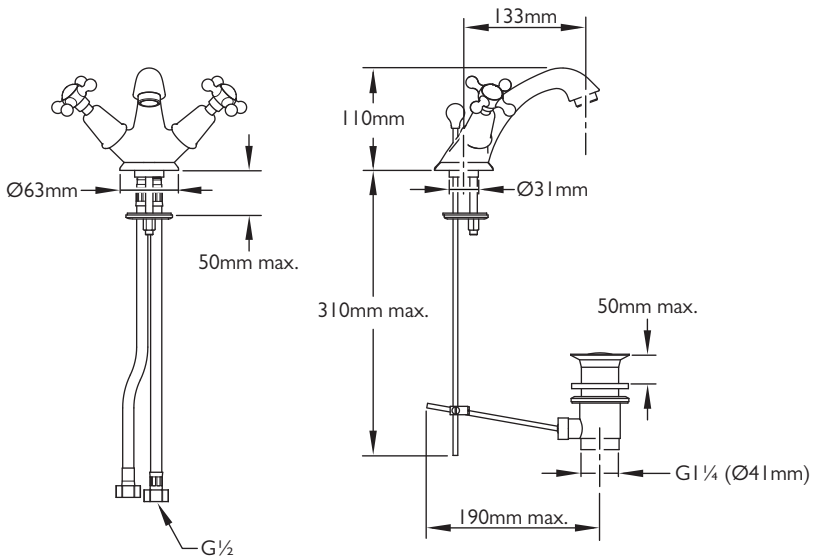
# BASIN MONOBLOC DIMENSIONS

I 185



I 189

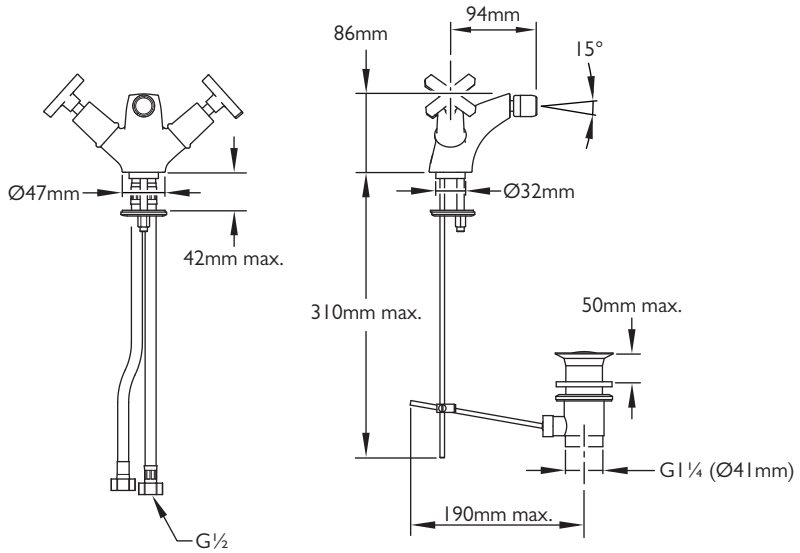
Pop-up rod and waste are not applicable on models supplied with a chain shackle.



Not to scale

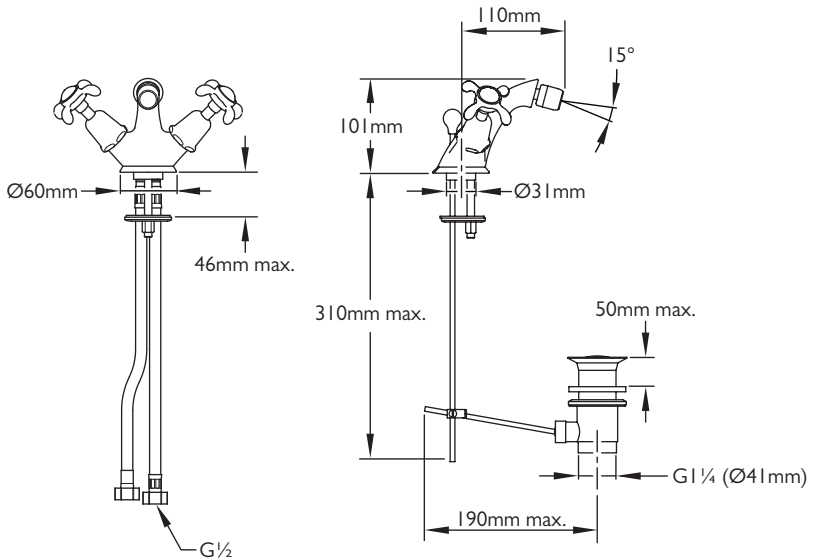
# BIDET MONOBLOC DIMENSIONS

1195



1199

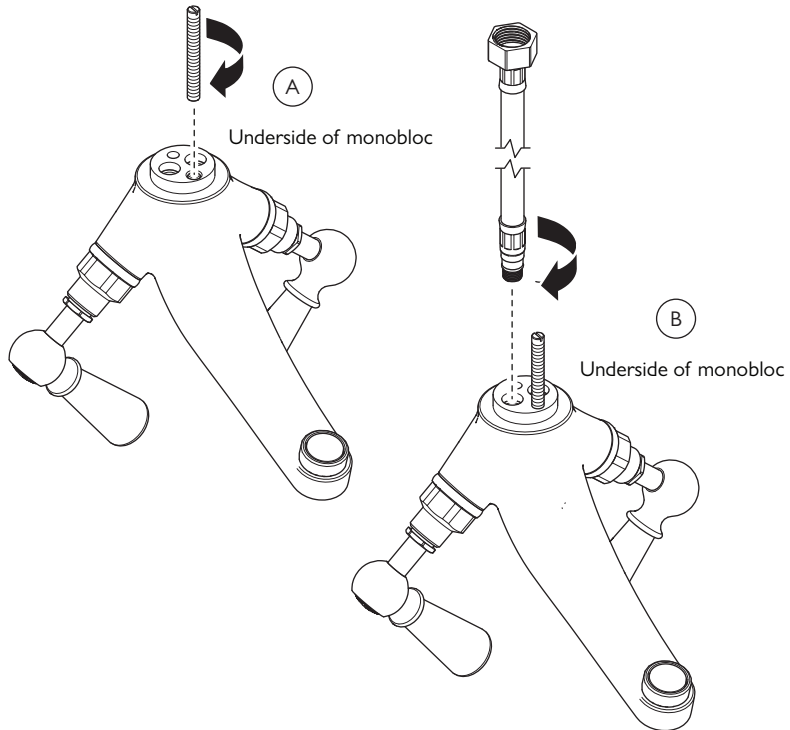
Pop-up rod and waste are not applicable on models supplied with a chain shackle.



Not to scale

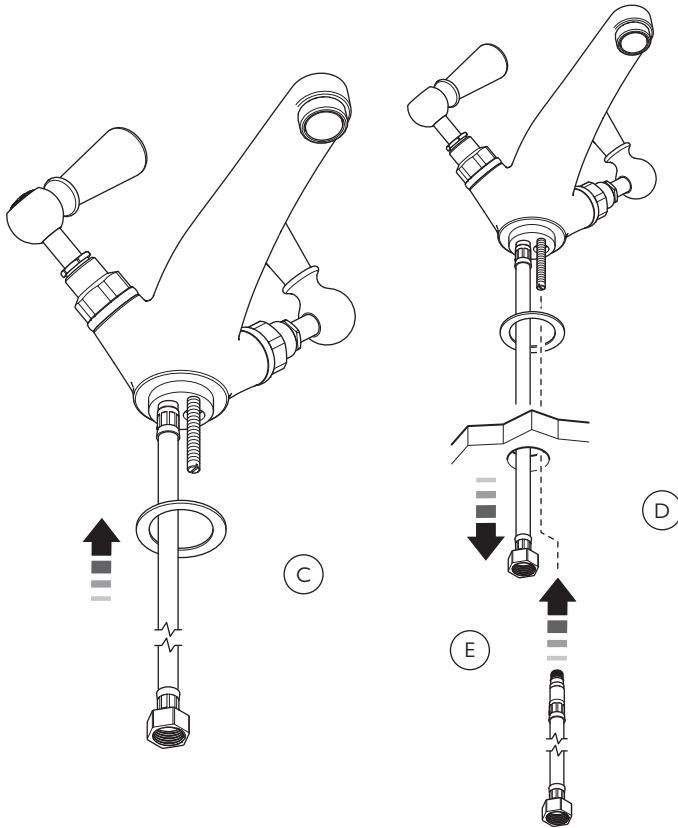
## MONOBLOC INSTALLATION

The same installation procedure applies to both basin and bidet monoblocs.



- 1 There are three threaded holes in the base of the monobloc body. Use a flat bladed screwdriver to screw the threaded tail into the smaller of the three (A).
- 2 One of the hoses has a shorter connector than the other. Screw the hose with the shorter connector into one of the holes in the underside of the monobloc. The 'O' ring on the hose will provide a water tight seal so additional sealing compound should not be required.

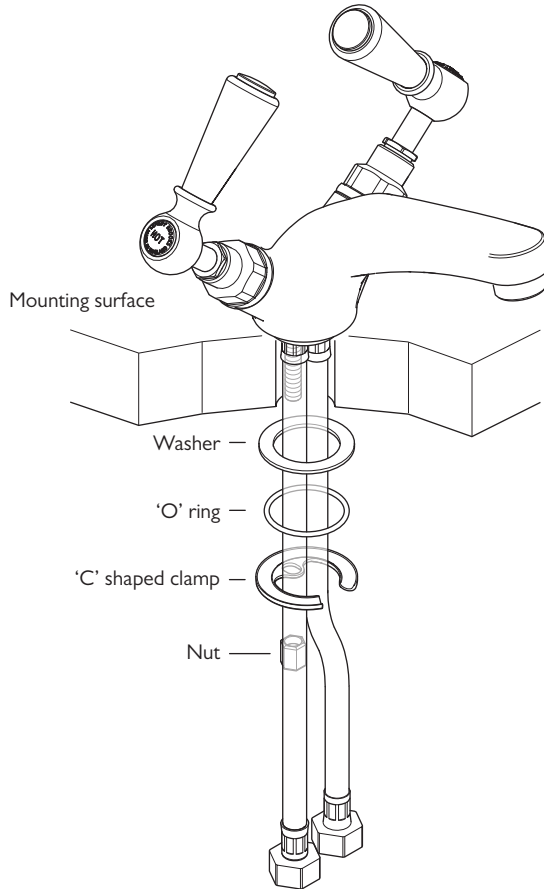
# MONOBLOC INSTALLATION



- 3 Place the washer over the hose (C).
- 4 Feed the hose on the monobloc through the  $\text{\O}35\text{mm}$  hole in the mounting surface (D).

- 5 From the underside of the mounting surface, feed the remaining hose through the hole (E). Screw this into the base of the monobloc.

## MONOBLOC INSTALLATION

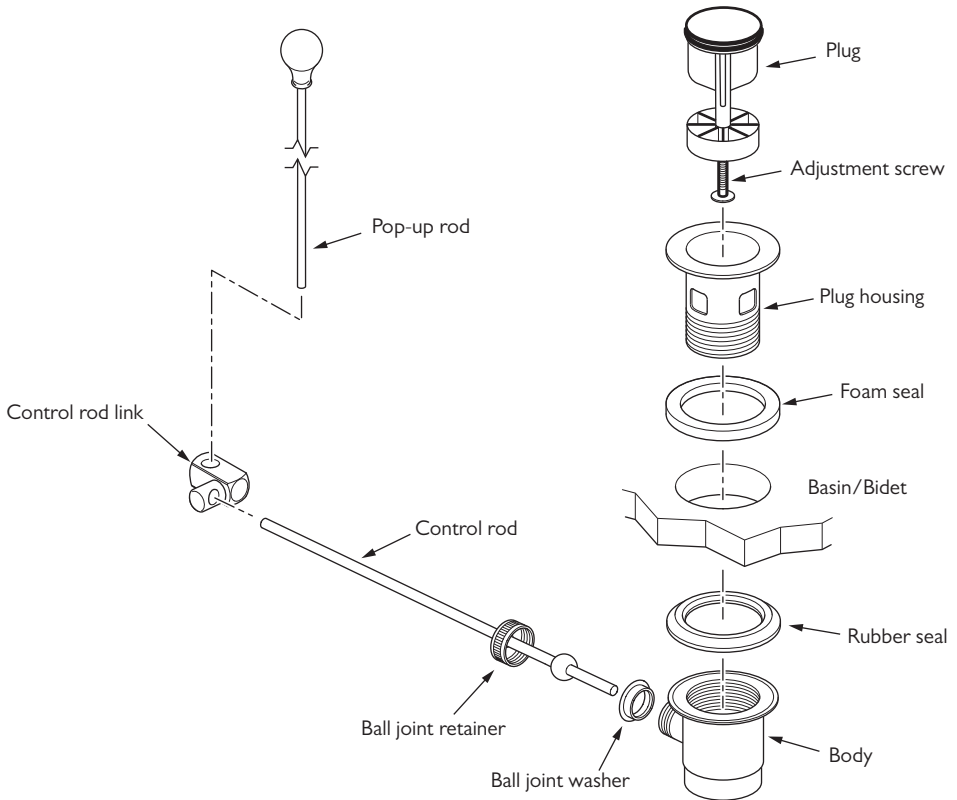


- 6 Feed the washer and 'O' ring from the fixing kit onto the hoses.
- 7 With the recess facing upward, locate the 'C' shaped metal clamp beneath the washer and 'O' ring. Slide all three along the hoses until they come into contact with the underside of the mounting surface, ensuring that the hole in the 'C' shaped clamp has passed over the threaded tail.
- 8 Locate and screw the locking nut onto the threaded tail, but hand tight only. Ensure the monobloc is positioned as required then tighten the nut with a spanner to secure the monobloc. Be careful not to over tighten as this may cause damage.
- 9 Facing the front of the monobloc connect the hot water supply to the left hose and the cold water supply to the right hose.



## POP-UP WASTE INSTALLATION

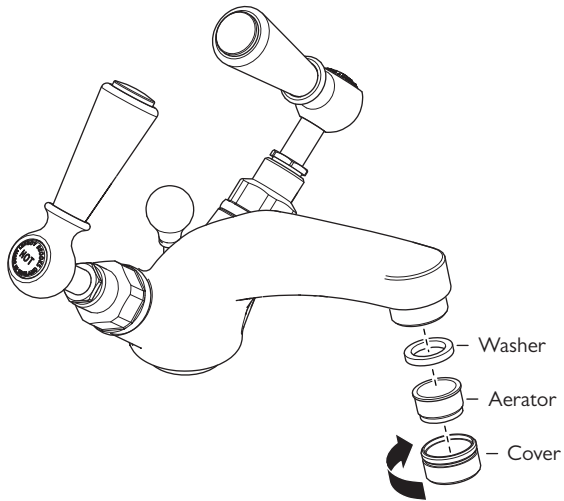
Not applicable on models supplied with a chain shackle.



- 1 Insert the pop-up waste lever into the hole in the rear of the monobloc.
- 2 Assemble the pop-up waste to the basin/bidet with the foam seal on top of the mounting surface and the rubber seal below. The wide diameter of the rubber seal sits on top of the waste body. Tighten by hand.
- 3 Place the control rod link onto the rod of the pop-up waste lever, then feed the control rod through. Locate the short end of the control rod, the one with the ball, into the waste and secure by screwing the ball joint retainer in place. Do not over tighten.
- 4 Gently clamp the control rod link to the pop-up waste lever rod. Test the operation of the pop-up waste and if satisfactory fully tighten the control rod link to the pop-up waste lever rod. If not satisfactory then make adjustments to the control rod link as required. If the operation is stiff simply loosen the ball joint retainer as required.

## SERVICING – CLEANING THE SPOUT/NOZZLE AERATOR

Shown with a basin monobloc. The same procedure applies to all models.

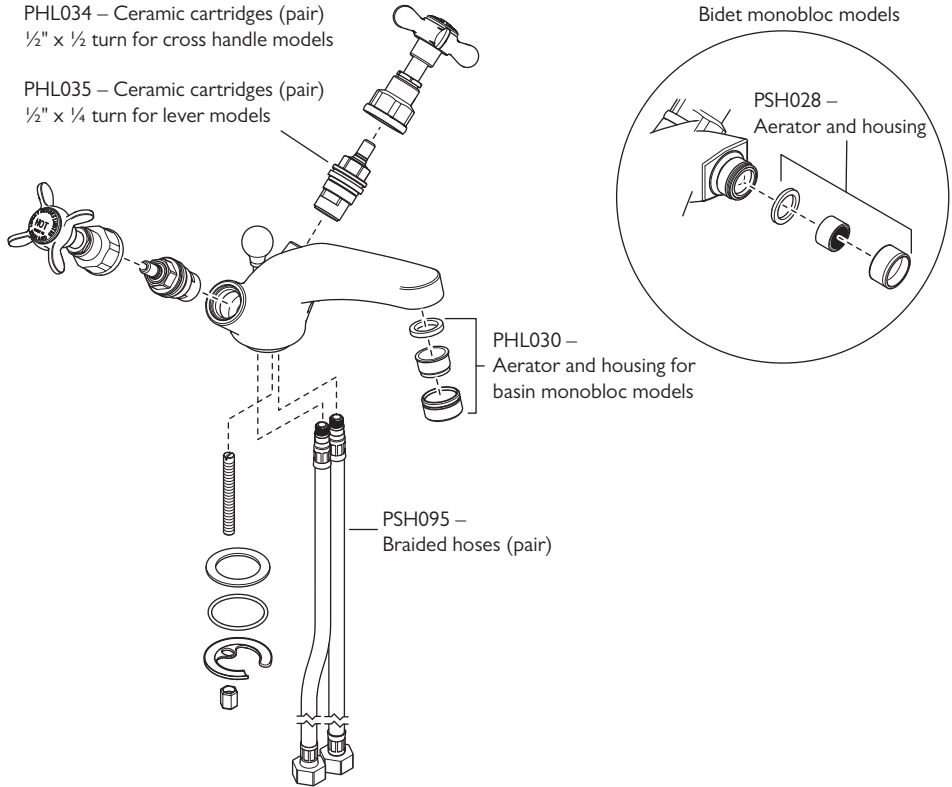


1 There is an aerator located in the end of the spout. To remove the aerator unscrew and remove the aerator cover.

2 The aerator can be cleaned in warm soapy water.

3 Assemble in the reverse order.

## REPLACEMENT PARTS



## FAULT FINDING

The hot/cold cartridges are turned off but the spout/nozzle drips continuously.

- Replace the ceramic cartridge(s). See above for spare part numbers.

Water flow from the spout/nozzle is reduced.

- Debris from the water supply may be causing restriction at the aerator located in the end of the spout/ nozzle. The aerator can be removed for cleaning. See 'Servicing – cleaning the spout/nozzle aerator' section.

Pop-up rod movement is stiff/loose (Where applicable).

- Adjust the ball joint retainer where the horizontal control rod fits into the waste assembly (see 'pop-up waste installation' section).



CONTRACT ENQUIRIES

+44 (0)1992 708 316

[info@lefroybrooks.co.uk](mailto:info@lefroybrooks.co.uk)

CUSTOMER SERVICE, SPARES & TECHNICAL ENQUIRIES

+44 (0)1902 390 894

[technical@lefroybrooks.co.uk](mailto:technical@lefroybrooks.co.uk)

LEFROYBROOKS.CO.UK

---

Whilst every effort is made to ensure the accuracy of these, they are subject to change without notice as part of the company's product development process. The use of trademarks, product design and artwork is subject to licence or agreement with LBIP Ltd. The design registrations, trademark registrations and copyrights are protected by law and the use or reproduction outside the terms of an agreement is prohibited. The right to modify designs and dimensions is reserved. LBIP Ltd is a member of ACID (Anti Copying in Design). E&OE