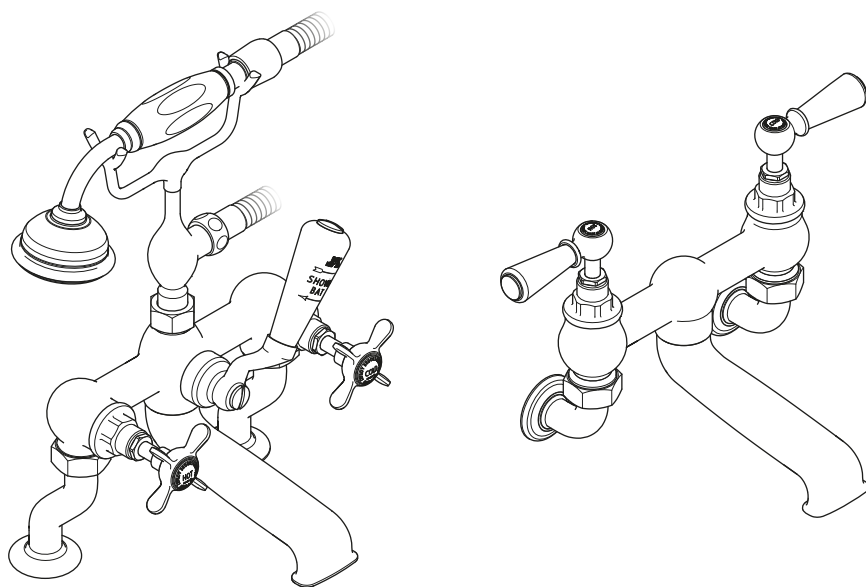


1100 / 1107 / 1151 / 1166  
BATH SHOWER MIXERS & BATH FILLERS  
INSTALLATION GUIDE

---

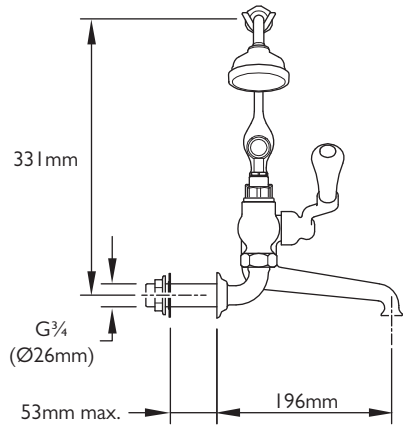
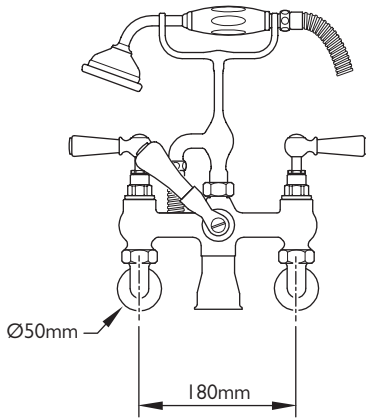


---

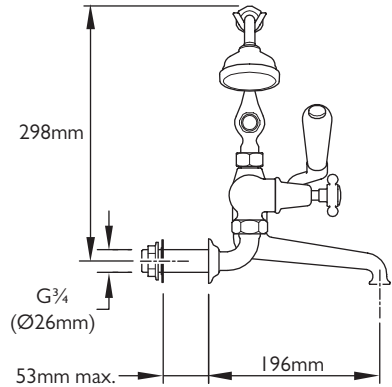
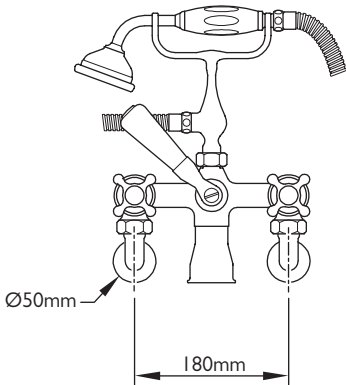
LEFROY BROOKS

# DIMENSIONS – WALL MOUNTED MODELS

## Wall mounted lever models



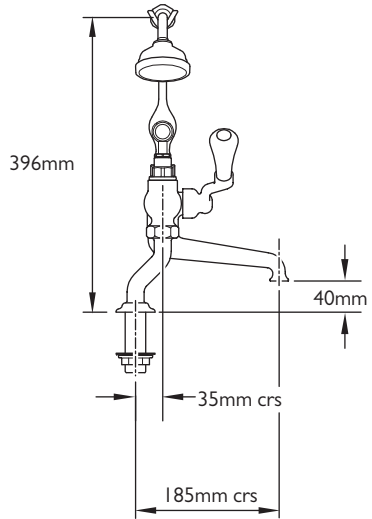
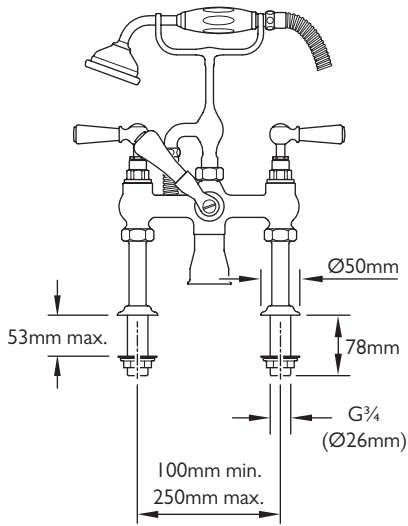
## Wall mounted cross handle/handwheel models



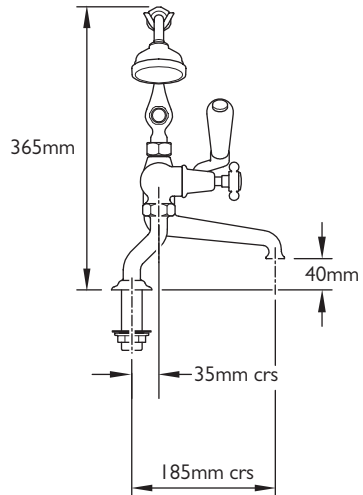
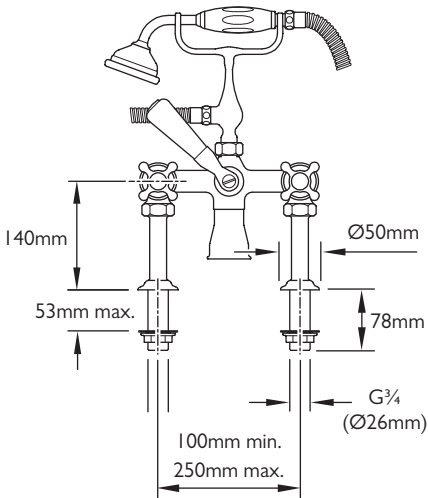
All critical dimensions are same for Bath Shower Mixers & Bath Filler models  
Spout reach can be increased by 40mm using LB 21 18 extended return bends.

# DIMENSIONS – DECK MOUNTED MODELS

## Deck mounted lever models

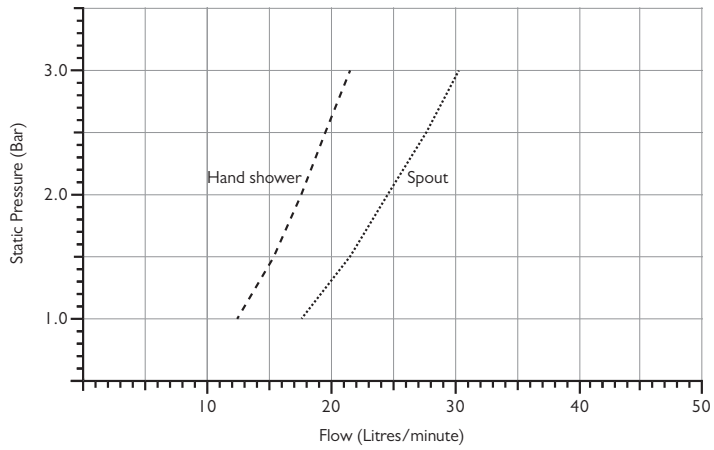


## Deck mounted cross handle/handwheel models



All critical dimensions are same for Bath Shower Mixers & Bath Filler models  
Spout reach can be increased by 100mm using LB 2119 extended deck legs.

## TYPICAL FLOW RATES



Note: Balance pressures shown are applied directly to the hot and cold inlets; flow rates indicated are free flowing and may vary subject to restrictions created by installation, pipework, layout or application.

## IMPORTANT INFORMATION

### Professional installation

We recommend that our products are fitted by a fully qualified professional plumber. They should be installed correctly and in accordance with all local water regulations and the system protected by non-return valves (not supplied). All products should be accessible for routine servicing.

### Suits all systems

This Lefroy Brooks product is potentially suitable for every possible application, type of boiler and water supply pressure. However, if your supply pressure is below 1 bar it is advisable to fit a water pump. For systems with combination boilers, it is not advisable to fit pumps (refer to boiler manufacturer).

### Supply connections

The HOT water supply should be connected to the LEFT inlet and COLD to the RIGHT inlet as viewed from the front.

Both wall and deck mounted models have G $\frac{3}{4}$  threaded tails. European versions have eccentric wall fittings having G $\frac{1}{2}$  threaded tails. Both are designed to enable connection using standard tap connectors.

### Supply temperature safety notice

To comply with local building regulations, current legislation, relevant standards and codes of practice a thermostatic mixing valve (TMV) should be fitted (not supplied) to the hot supply. This will restrict the temperature to a safe working maximum temperature. Maximum allowed temperatures vary subject to type of installation or specification of building.

### Balancing flow

If there is a significant difference in water pressures between hot & cold supplies, we recommend an in-line flow suppressor/regulator (not supplied) be fitted. This should be fitted to whichever has the greater flow rate, in an accessible position close to the valve.

### Water quality

In hard water areas, a suitable water treatment system should be provided to prevent limescale deposits (calcium deposits) which may effect the long term performance of the ceramic cartridges. Exterior surfaces should be gently wiped with a dry soft cloth after use to minimise water stains and limescale deposits.

### Flushing system

It is most important to flush out all pipework thoroughly before connecting the product.

This is the single most common cause of ceramic cartridge failure.

### Servicing

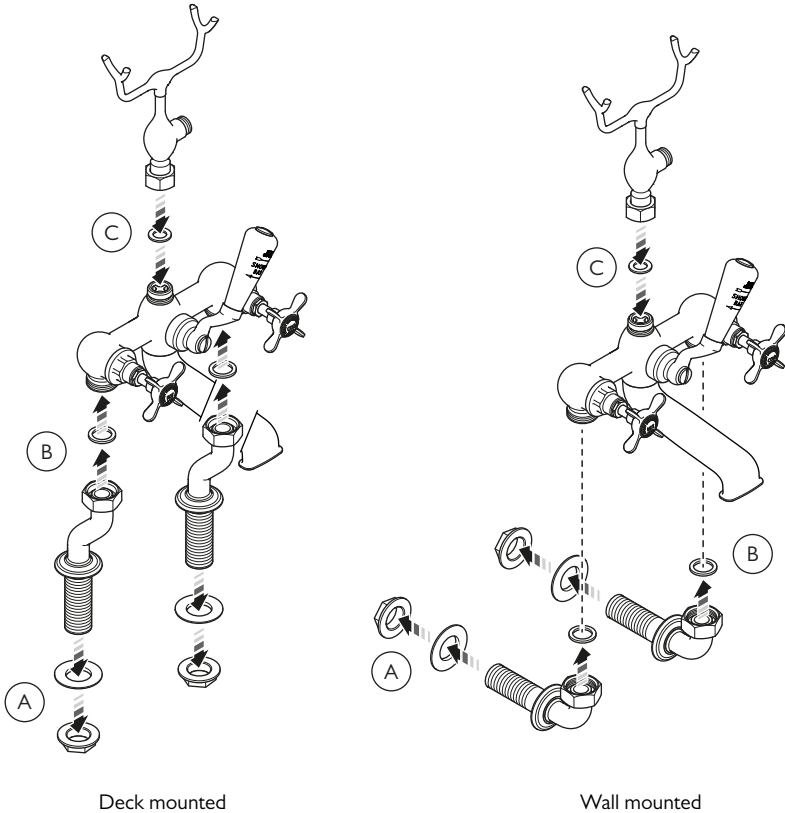
All serviceable parts are available to maintain your Lefroy Brooks product.

### Mounting hole sizes

We recommend that the hole sizes for the G $\frac{3}{4}$  threaded tails are Ø27mm–Ø30mm, unless mounting into a pre-drilled bath.

## ASSEMBLY

The same procedure applies to bath shower mixers and bath fillers.



- 1 Unscrew and remove the backnuts and rubber washers from the elbows/deck legs (A). Place the elbow/deck leg washers in place then screw the elbows/deck legs in place (B).

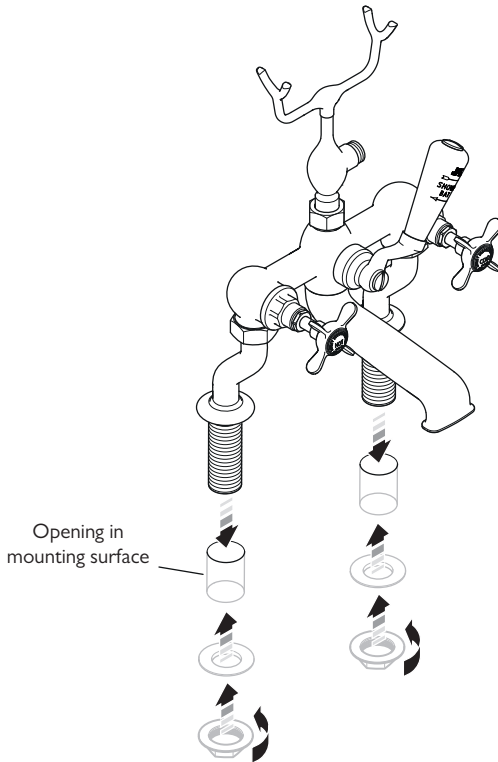
### Deck mounted models only:

Do not tighten the deck leg nuts at this stage. Offer the mixer/filler to the holes in the mounting surface. The legs can be rotated to accommodate the hole centres.

- 2 Tighten the elbow/deck leg nuts to secure. Ensure that the jaws of the spanner are wrapped with suitable material such as tape to prevent damage to the nuts.
- 3 Bath shower mixer models only: Locate the shower cradle washer in place (C). The shower cradle can be fitted with the shower hose connection to customer requirements (left or right). Locate the cradle and secure by tightening the nut.

## INSTALLATION – DECK MOUNTED MODELS

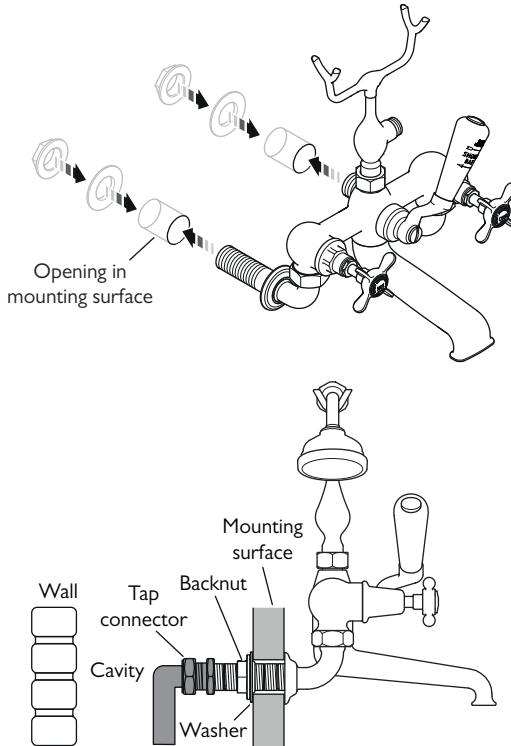
The same procedure applies to all deck mounted models.



- 1 Where required, drill  $\text{Ø}27\text{--}30\text{mm}$  holes in the mounting surface.
- 2 Place the threaded tails of the mixer/filler through the holes in the mounting surface.
- 3 Locate the washers onto the threaded tails.
- 4 Screw the backnuts onto the threaded tails and tighten to secure.
- 5 After flushing the pipework connect the hot and cold water supplies.
- 6 Pressure test the installation to ensure that all joints are tight and do not leak, especially where pipework will be concealed.
- 7 Where necessary connect the shower hose to the cradle and hand shower. Place the hand shower in the cradle.

## INSTALLATION – WALL MOUNTED MODELS

The same procedure applies to all wall mounted models. For European models please refer to the installation guide supplied with the eccentric fittings.

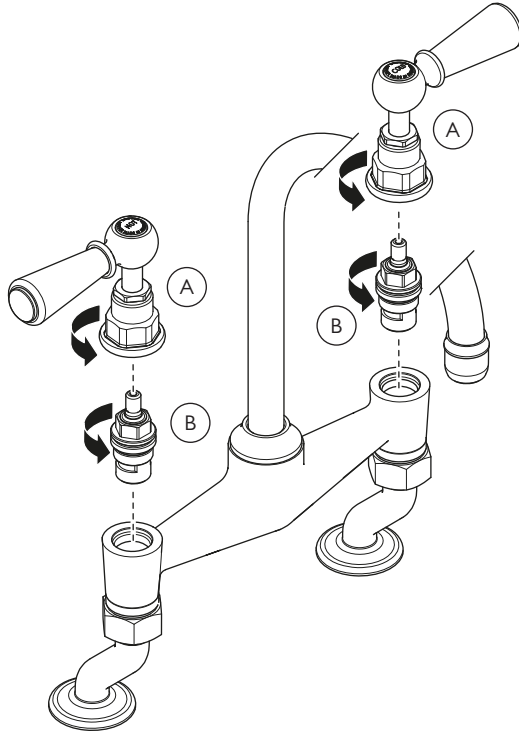


- 1 Where required, drill  $\varnothing 27\text{--}30\text{mm}$  holes in the mounting surface.
- 2 Place the threaded tails of the mixer/filler through the holes in the mounting surface.
- 3 Locate the washers onto the threaded tails.
- 4 Screw the backnuts onto the threaded tails and tighten to secure.
- 5 After flushing the pipework connect the hot and cold water supplies.
- 6 Pressure test the installation to ensure that all joints are tight and do not leak, especially where pipework will be concealed.
- 7 Where necessary connect the shower hose to the cradle and hand shower. Place the hand shower in the cradle.



## SERVICING – CARTRIDGE REPLACEMENT

The same procedure applies to bath shower mixers and bath fillers.



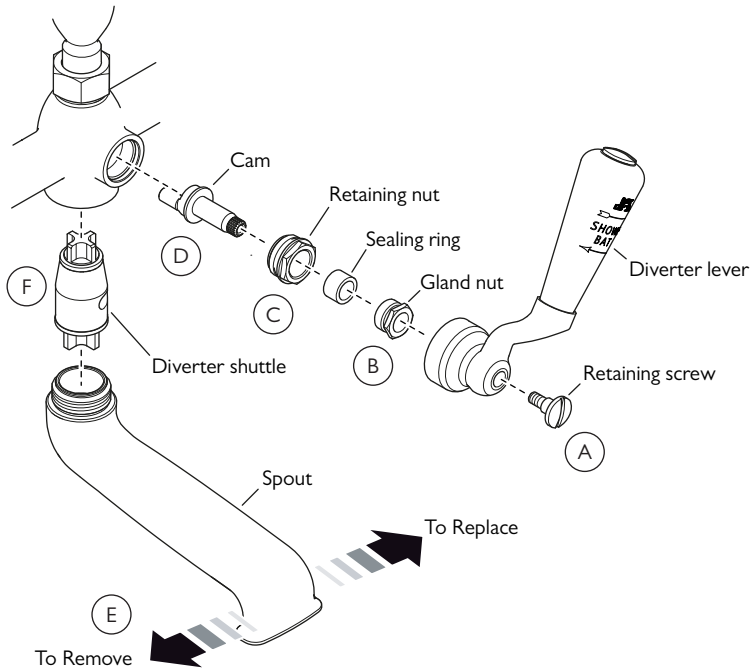
Before continuing please ensure that the water supplies have been isolated and drained where necessary.

1 To remove the ceramic cartridge(s), unscrew and remove the cross handle/handwheel/lever assemblies (A). Using a rubber glove such as those used for washing up will improve grip.

2 Unscrew and remove the ceramic cartridge(s) using a 17mm spanner (B).  
3 Assemble in the reverse order.

## SERVICING - DIVERTER SHUTTLE REPLACEMENT

The same procedure applies to lever models.



Before continuing please ensure that the water supplies have been isolated and drained where necessary.

- 1 Where necessary, unscrew the hose from the cradle. Remove the hand shower and hose from the cradle.
- 2 Unscrew the nuts that connect the body to the deck legs/elbows. This will release the body. Ensure that the jaws of the spanner are wrapped with suitable material such as tape to prevent damage to the nuts.
- 3 Unscrew and remove the diverter lever retaining screw (A). Gently pull the lever clear of the body.
- 4 Unscrew the small gland nut from the cam assembly (B).
- 5 Unscrew the retaining nut (C). The sealing ring should stay inside the retaining nut.
- 6 Pull the cam from the body (D).
- 7 To release the diverter shuttle the spout must be removed. Using a rubber mallet to prevent damage, hit the end of the spout in the direction shown above. Once the spout starts to turn it should be possible to unscrew it by hand.
- 8 With the spout removed, the diverter shuttle can be removed from the body.
- 9 Fit a replacement shuttle.
- 10 Apply a small amount of suitable adhesive to the thread of the spout (e.g. Loctite Threadlocker). Assemble in reverse order.

## FAULT FINDING

The hot/cold valves are turned off but the spout drips continuously.

- Replace the ceramic cartridge(s). See below for spare part numbers and 'Servicing – Cartridge Replacement' section.

The diverter lever is set to supply either the spout or hand shower, but water passes from the spout and hand shower simultaneously.

- Replace the diverter shuttle. See below for spare part numbers and 'Servicing – Diverter Shuttle Replacement' section.

Water drips from beneath the diverter lever.

- Replace the diverter cam assembly. See below for spare part number and items 3 to 7 in the 'Servicing – Diverter Shuttle Replacement' section. Fit the cam assembly in reverse order.

---

## REPLACEMENT PARTS

PBS010 – Diverter cam assembly (includes gland nut, sealing ring, retaining nut & cam)

PBS011 – Diverter shuttle

PBS013 – White hand shower ceramic handle

PBS014 – Black hand shower ceramic handle

LB2121 – Hand shower hose

### Cross handle & Handwheel models only

PHL037 – Pair of  $\frac{3}{4}$ " x  $\frac{1}{2}$  turn ceramic cartridges (both clockwise closing).

PBS004 – White ceramic for diverter lever (ceramic only)

PBS016 – Black ceramic for diverter lever (ceramic only)

### Lever models only

PHL036 – Pair of  $\frac{3}{4}$ " x  $\frac{1}{4}$  turn ceramic cartridges (one counter clockwise closing, the other clockwise closing)

PBS006 – White ceramic for diverter lever (ceramic only)

PBS008 – Black ceramic for diverter lever (ceramic only)

PHL016 – White ceramic for hot & cold lever (ceramic only)

PHL020 – Black ceramic for hot & cold lever (ceramic only)



CONTRACT ENQUIRIES

+44 (0)1992 708 316

[info@lefroybrooks.co.uk](mailto:info@lefroybrooks.co.uk)

CUSTOMER SERVICE, SPARES & TECHNICAL ENQUIRIES

+44 (0)1902 390 894

[technical@lefroybrooks.co.uk](mailto:technical@lefroybrooks.co.uk)

LEFROYBROOKS.CO.UK

---

Whilst every effort is made to ensure the accuracy of these, they are subject to change without notice as part of the company's product development process. The use of trademarks, product design and artwork is subject to licence or agreement with LBIP Ltd. The design registrations, trademark registrations and copyrights are protected by law and the use or reproduction outside the terms of an agreement is prohibited. The right to modify designs and dimensions is reserved. LBIP Ltd is a member of ACID (Anti Copying in Design). E&OE